

Joie™

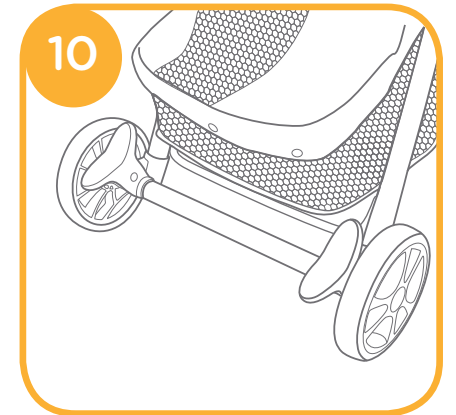
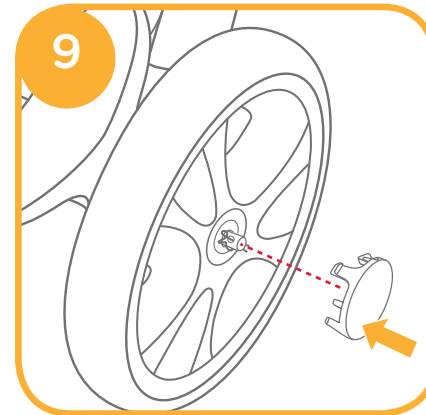
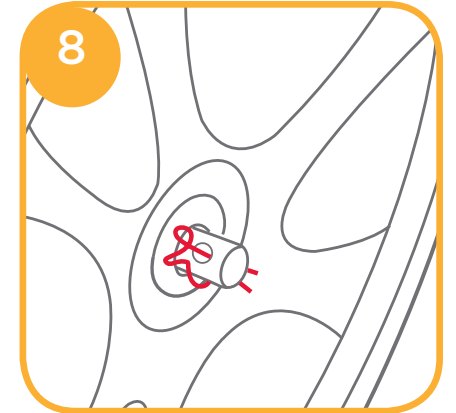
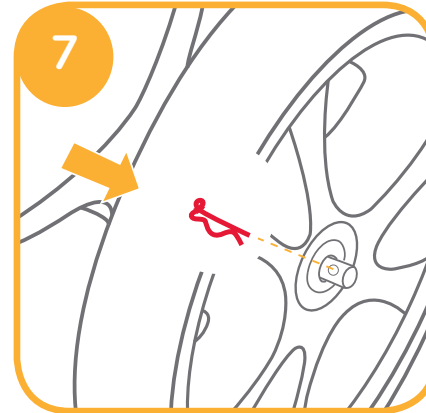
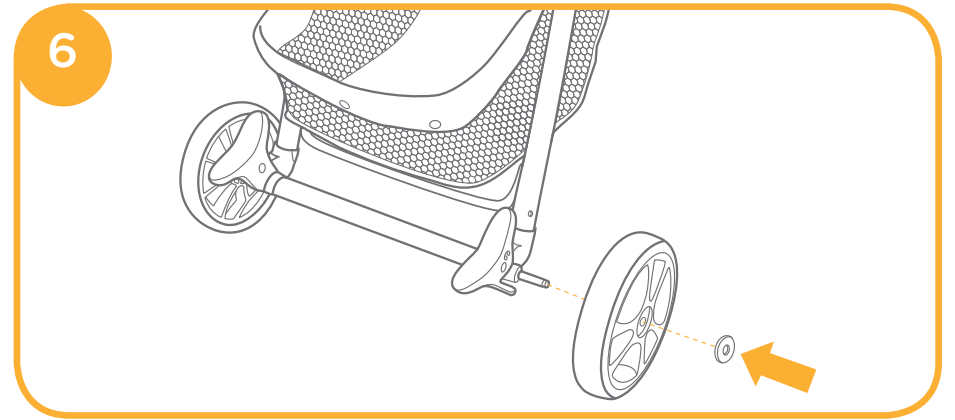
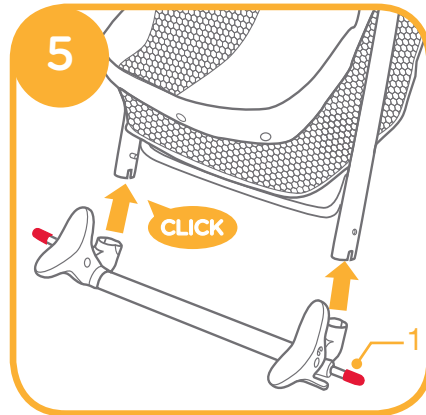
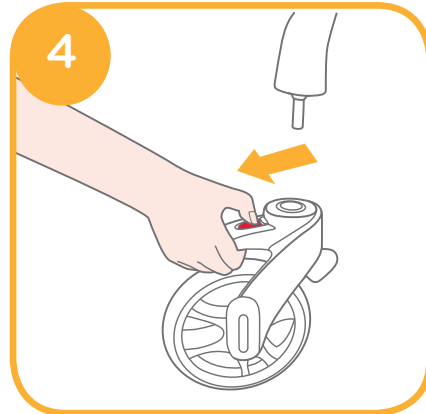
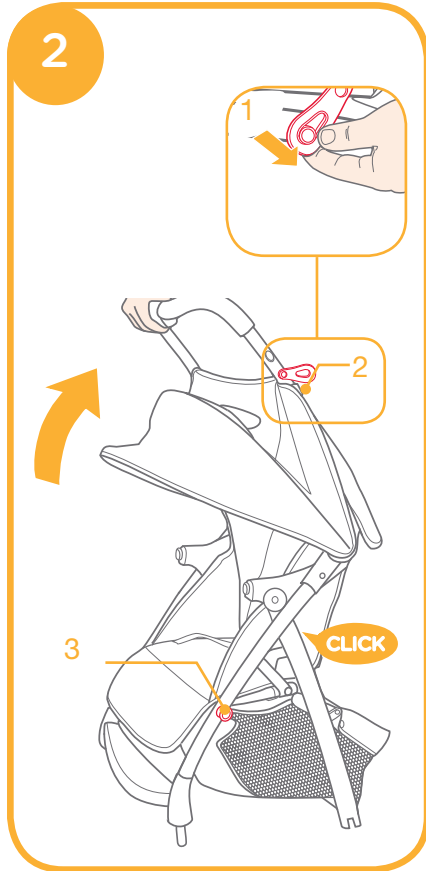
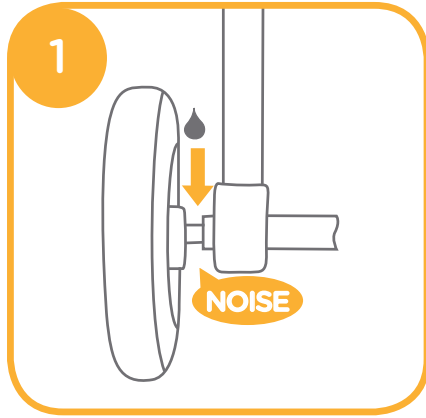
birth to 15kg/(birth - 36 months)

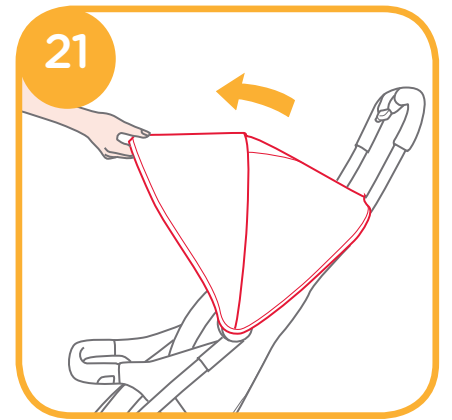
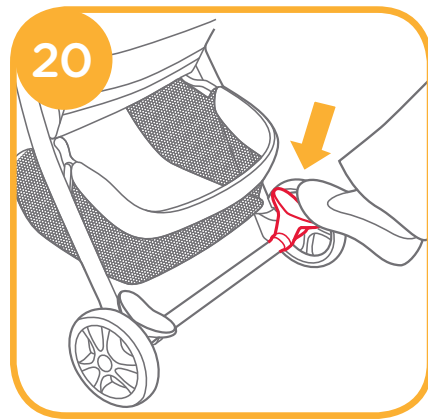
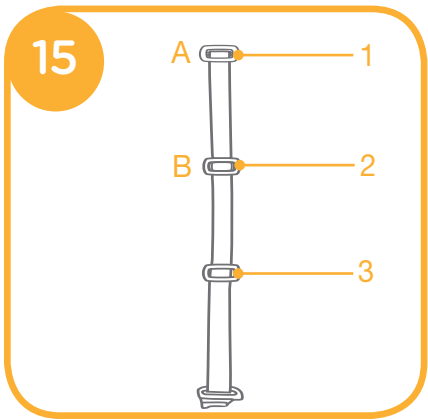
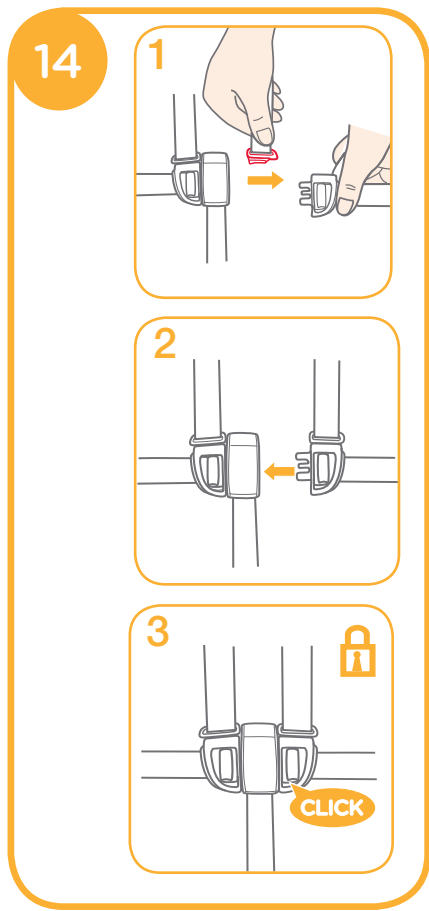
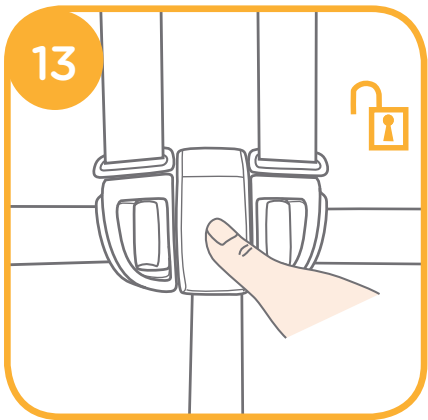
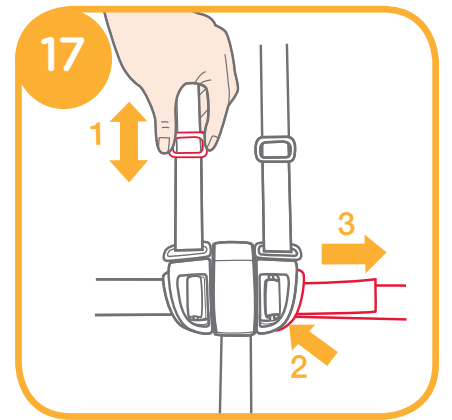
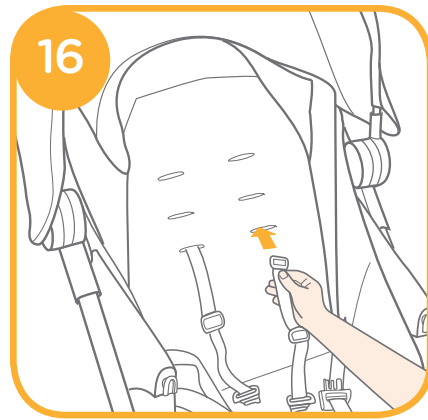
muze™ stroller

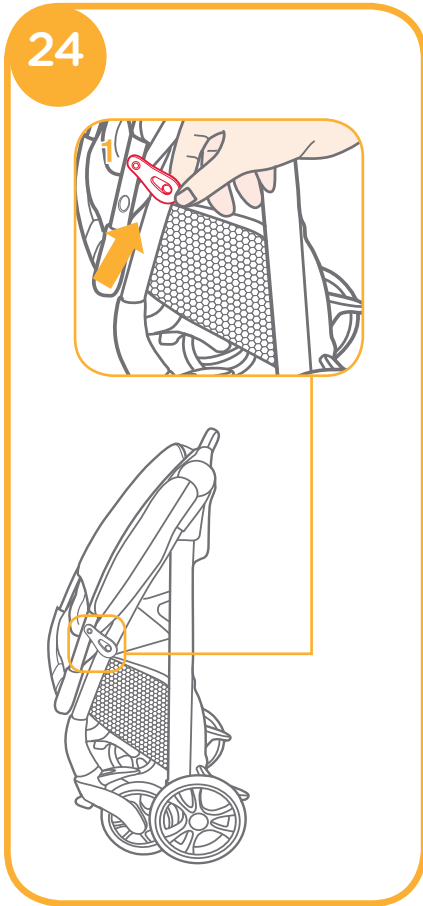
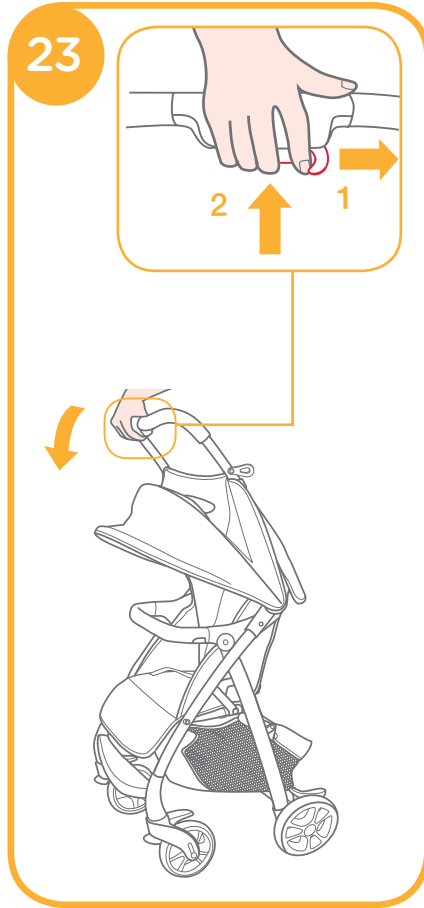
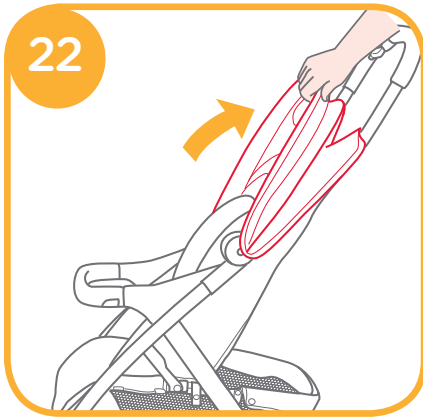
- GB Instruction Manual
- FR Manuel d'utilisateur
- DE Bedienungsanleitung
- ES Manual de instrucciones
- PT Manual de Instruções
- PL Instrukcja obsługi
- IT Manuale di istruzioni
- NL Handleiding
- RU Руководство по эксплуатации
- CZ Návod k obsluze
- SK Návod na použitie
- DA Brugsvejledning
- KR 사용설명서
- AR دليل التعليمات
- FI Käyttöopas
- ET Kasutusjuhend
- LT Naudotojo vadovas
- LV Lietošanas instrukcija
- HU Használati utasítás



IMPORTANT - READ CAREFULLY AND KEEP FOR FUTURE REFERENCE

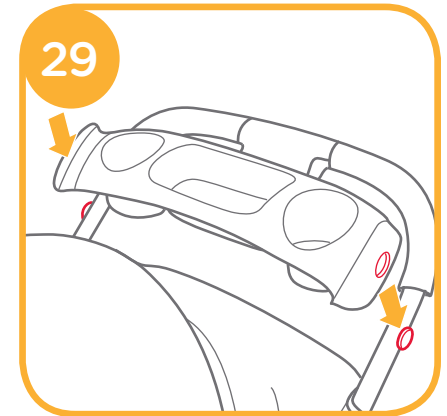
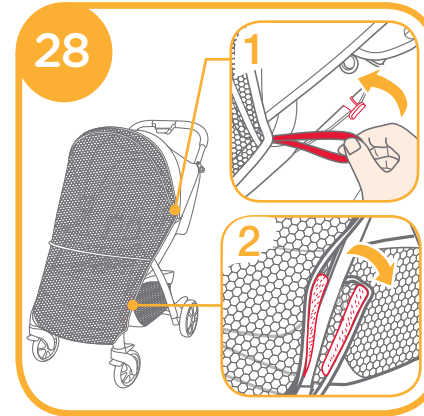
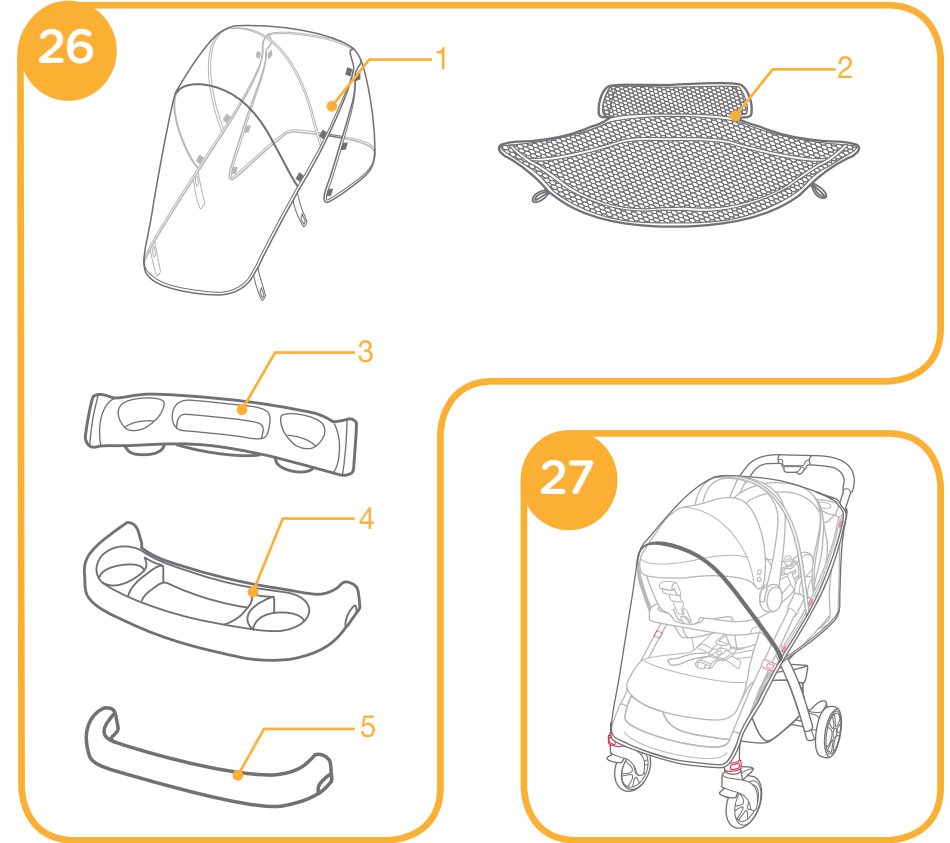


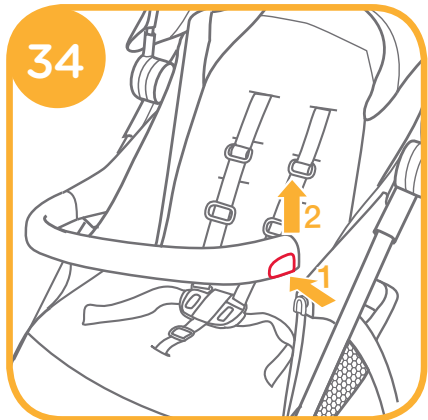
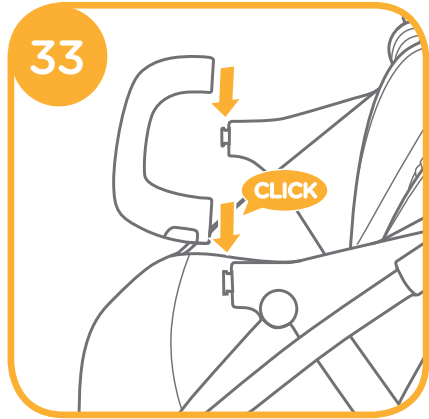
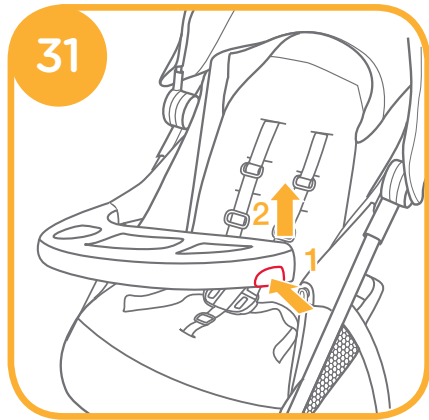
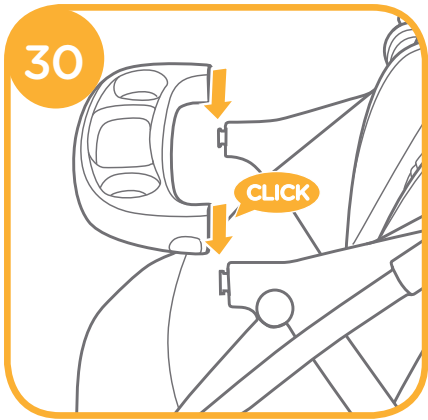




Accessories (May not be included in purchase)

Accessories may be sold separately or may not be available depending on region.





Note

GB Welcome to Joie™

Congratulations on becoming part of the Joie family! We are so excited to be part of your journey with your little one. While traveling with the Joie MUZE™, you are using a high quality, fully certified stroller, approved to European safety standards EN 1888-1:2018. This product is suitable for use with children weighing under 15kg. Please carefully read this manual and follow each step to ensure a comfortable ride and best protection for your child.

IMPORTANT - READ CAREFULLY AND KEEP FOR FUTURE REFERENCE.

Visit us at Joiebaby.com to download manuals and see more exciting Joie products. For warranty information, please visit our website at joiebaby.com

Contents

Figures	1-7
Warning	11
Stroller Assembly	12
Open Stroller	12
Assemble Front Wheels	12
Assemble Rear Wheels	12
Stroller Operation	13
Adjust Recline	13
Use Buckle	13
Use Shoulder & Waist Harnesses	13
Adjust Calf Support	14
Use Front Swivel Lock	14
Use Brake	14
Use Hood	14
Fold Stroller	14
Use Carry Strap	14
Use Accessory	14
Care and Maintenance	16

Emergency

In case of emergency or accident, it is most important to have your child taken care of with first aid and medical treatment immediately.

Product Information

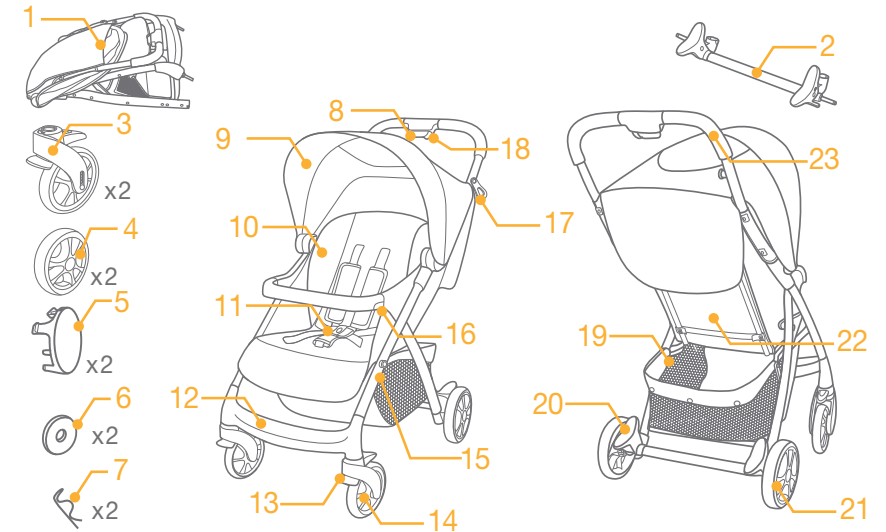
Read all the instructions in this manual before using this product. If you have any further questions, please consult the retailer. Some features may vary depending on model.

Product	Stroller
Suitable for	Child weighing under 15kg(birth - 36 months)
Materials	Plastics, metal, fabrics
Patent No.	Patents pending
Made in	China
Brand Name	Joie
Website	www.joiebaby.com
Manufacturer	Allison Baby UK Ltd

Parts List

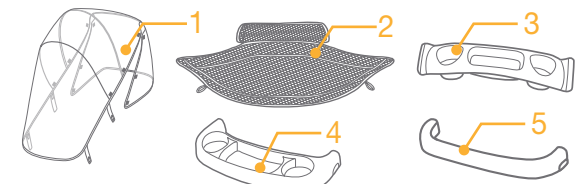
Make sure all parts are available before assembly. If any part is missing, please contact local distributor. No tools are required for assembly.

1 Stroller Frame	7 Pin (x2)	13 Swivel Lock	19 Storage Basket
2 Rear Axle Assembly	8 One-Hand-Fold Handle	14 Front Wheel	20 Brake Lever
3 Front Wheel (x2)	9 Hood	15 Storage Latch Mount	21 Rear Wheel
4 Rear Wheel (x2)	10 Seat Pad	16 Arm Release	22 Backrest
5 Cap (x2)	11 Buckle	17 Storage Latch	23 Handle
6 Washer (x2)	12 Footrest	18 Secondary Lock	



Accessories (May not be included)

- 1 Rain Cover
- 2 Mosquito Net
- 3 Parent Tray
- 4 Rotating Child's Tray
- 5 Armbar



Accessories may be sold separately or may not be available depending on region.

WARNING

- ! WARNING Always use the restraint system
- ! WARNING Always use the crotch combination with the waist belt. It is suggested that the shoulder harnesses be used as well.
- ! WARNING Ensure that all the locking devices are engaged before use.
- ! WARNING To avoid injury ensure that the child is kept away when unfolding and folding this product.
- ! WARNING Do not let the child play with this product.
- ! Adult assembly required.
- ! Use of the stroller with a child weighing more than 15kg will cause damage to the stroller.
- ! To prevent a hazardous,unstable condition,do not place more than 4.5kg in the storage basket.
- ! WARNING Never leave the child unattended. Always keep child in view while in stroller.
- ! Use the stroller with only one child at a time. Never place purses,shopping bags,parcels or accessory items on the handle or hood.
- ! Overloading, folding incorrectly, or using component parts from other manufacturers may cause the stroller to be damaged,broken or unsafe. Please read the instruction manual carefully.
- ! Please read all the instructions in the manual before using the product. Please save instruction manual for future use. Failure to follow these warnings and instructions may result in serious injury or death.
- ! Safety belts and restraint system must be used correctly.
- ! To avoid serious injury from falling or sliding out, always use seat belt.
- ! Make sure your child's body is clear from the moving parts when adjusting the stroller.
- ! Child may slip into leg openings and be strangled if the harness is not used.
- ! Never use stroller on stairs or escalators.
- ! Keep away from high temperature objects,liquids,and electronics.
- ! Do not place any item that may do harm to the baby and stroller in the parent tray.
- ! Never allow your child to stand on the stroller or sit in the stroller with head toward front of stroller.
- ! Never place the stroller on roads,slopes or dangerous area.
- ! Do make sure all mechanisms are fixed before using the stroller.
- ! To avoid strangulation, do not place items with a string around your child's neck, suspend strings from this product, or attach strings to toys.
- ! To prevent tipping, do not put anything on the handle. Always lift the child in and out of the stroller.
- ! Do not lift stroller while child is in stroller.
- ! Do not use storage basket as a child carrier.

- ! To prevent tipping, never let child climb the stroller.
- ! To avoid finger entrapment, use care when folding and unfolding the stroller.
- ! Be sure the stroller is fully open or folded before allowing child near the stroller.
- ! To ensure your child's safety, please make sure all parts are assembled and fastened properly before using the stroller.
- ! WARNING Check that the car seat attachment devices are correctly engaged before use.
- ! To avoid strangulation, do make sure your child is clear from the hood.
- ! Always engage the brakes when parking the stroller.
- ! Discontinue using your stroller if it is damaged or broken.
- ! Stroller to be used only at walking speed. This product is not intended for use while jogging.
- ! To avoid suffocation, remove plastic bag and packaging materials before using this product. The plastic bag and packaging materials should then be kept away from babies and children.
- ! This product is not suitable for running or skating.
- ! The maximum recommended weight of the parent tray is 1.36kg/3lbs.
- ! Pushchair designed to be used from birth shall recommend the use of the most reclined position for new born babies.
- ! The parking device must be engaged when placing and removing children.
- ! For infant child restraints used in conjunction with a chassis, this vehicle does not replace a cot or a bed. Should your child need to sleep, then it should be placed in a suitable pram body, cot, or bed.
- ! Extra Care is needed if used on moving vehicles and child should not be left unattended, even with brakes engaged.
- ! Accessories which are not approved by the manufacturer shall not be used.

Stroller Assembly

Please read all the instructions in this manual before assembling and using this product.

Open Stroller

If the stroller is locked as ❷ - 1, please separate storage latch ❷ - 2 from storage mount ❷ - 3, and then lift the handle to open the stroller. A click sound means the stroller is open completely. ❷

- ! Check that the stroller is completely open before continuing.

Assemble Front Wheels

Assemble front wheels to front legs. Check that wheels are securely attached by pulling on wheel assemblies. ❸

The front wheels can be disassembled by pulling the release buttons backwards. ❹

Assemble Rear Wheels

Assemble the rear wheels by following these steps.

1. Remove and discard the two end caps on the rear axle before assembling the rear wheels. ❺ - 1

2. Assemble the rear axle assembly to rear legs **5**. Check that the rear axle assembly is securely attached by pulling on the rear axle assembly.
3. Place the rear wheel and washer on one side of the rear axle. **6**
4. To secure wheel and washer to axle, push the straight side of pin through the hole on the axle **7**. The assembled pin is shown as **8**.
 - ! The curve side on the pin must curve around the outside of the axle.
 - ! Make sure the washer is between the pin and the wheel.
5. Line up the tabs on the cap with the holes on the wheel, snap the cap onto the wheel to cover the washer and pin. **9**

The completely assembled rear wheels are shown as **10**.

Stroller Operation

Adjust Recline

Recline Backrest

There are 4 angles for the backrest.

To recline the backrest, squeeze the recline handle on the back of the seat **11**, pull down on the backrest. **12**

To raise the backrest, push up.

! Make sure the recline is set properly for use.

Use Buckle

Release Buckle

Press the center button to release the buckle. **13**

Lock Buckle

Match the waist belt buckle with the shoulder buckle **14 - 1**, and click into the center buckle. **14 - 2**

A click sound means the buckle is locked completely. **14 - 3**

! To avoid serious injury from falling or sliding out, always secure your child with harness.

! Make sure your child is snugly secured. The space between the child and the shoulder harness is about the thickness of one hand.

! Do not cross the shoulder belts. This will cause pressure on child's neck.

Use Shoulder & Waist Harnesses

! In order to protect your child from falling out, after your child is placed into the seat, check whether the shoulder and waist harnesses are at proper height and length.

15 - 1 Shoulder harness anchor A

15 - 2 Shoulder harness anchor B

15 - 3 Slide adjuster

For larger child, use shoulder harness anchor A and the highest shoulder slots. For smaller child, use shoulder harness anchor B and the lowest shoulder slots.

Use either shoulder harness anchor in the slots that are closest to child's shoulder height. **16**

Use slide adjuster to change the harness length. **17 - 1**

Press the button **17 - 2**, while pulling the waist harness to proper length **17 - 3**.

Adjust Calf Support

The calf support has 2 positions.

To adjust the calf support, press the adjustment buttons underneath the calf support **18 - 1** and rotate the calf support downward or upward. **18 - 2**

Use Front Swivel Lock

Pull up the front swivel locks to maintain the moving direction. **19**

Tip It is recommended to use swivel locks on uneven surfaces.

Use Brake

To lock wheels, step backwards on either of the brake levers as **20**, Step forwards on the brake lever to release wheel.

Tip The brake must be engaged when placing and removing children.

Tip Always apply brake when stroller is in stopped position.

Tip To ensure brake is fully engaged, gently rock the stroller backwards and forwards before releasing the handle.

Tip Clean brake system regularly to ensure fully functional. See care and maintenance section.

Use Hood

To open the hood, pull hood towards front. **21**

To fold the hood, pull hood towards back. **22**

Fold Stroller

Push secondary lock **23 - 1** and squeeze one-hand fold handle **23 - 2**. Push the stroller forward to fold. Lock the stroller by tucking storage latch onto the storage mount **24 - 1**. The stroller is folded and locked completely. **24**

Use Carry Strap

Securely grab the carry strap for easy transportation. **25**

Use Accessory

26 - 1 Rain Cover

26 - 2 Mosquito Net

26 - 3 Parent Tray

26 - 4 Rotating Child's Tray

26 - 5 Armbar

Accessories may be sold separately or may not be available depending on region.


Use with Joie Child restraint

When using with Joie child restraint juva, please refer to the following instructions.

! If you have any problems about using the infant child restraint, please refer to their own instruction manuals.

! Please don't fold stroller when attaching the child restraint.



Use Rain Cover

To assemble the rain cover, place it over the stroller, and then attach the 10 pairs of hook and loop fasteners on the rain cover. 

- ! Before using the rain cover, please make sure the backrest has been adjusted to the lowest position and the infant child restraint has been fastened.
- ! After the rain cover is assembled, please reassemble the parent tray on the handle.
- ! When using the rain cover, please always check its ventilation.
- ! When not in use, please check that the rain cover has been cleaned and dried before folding.
- ! If the rain cover is on the stroller, always remove rain cover to prevent ripping and tearing.
- ! Do not place your child into the stroller assembled with rain cover during hot weather.
- ! When using your stroller at the beach, completely clean you stroller after use to remove sand and salt from mechanisms and wheel assemblies.


Use Mosquito Net

Cover the stroller with the mosquito net. Follow the steps below to secure the mosquito net.

1. Attach the elastic strap to the hook on the back of the plastic.  - 1
2. Wrap bottom edge of the footrest and then stick the Velcro®.  - 2
3. Repeat steps above to secure mosquito net to opposite side.

The assembled mosquito net is shown as .

Use Parent Tray



To assemble the parent tray, attach the parent tray to the parent tray mounts on both sides of the handle. 

- ! Do not place any item that may do harm to the baby and stroller in the parent tray.
- ! The maximum recommended weight of the parent tray is 1.36kg/3lbs.

Use Rotating Child's Tray

Align the rotating child's tray end with matching component, and then push down to assemble.  

The rotating child's tray can be pulled up on both left and right sides.

To open the rotating child's tray, press rotating child's tray release button  - 1, and then pull up the rotating child's tray.  - 2

Use Armbar


Align the armbar end with matching component, and then push down to assemble.  

The armbar can be pulled up on both left and right sides.

To open the armbar, press armbar release button  - 1, and then pull up the armbar.  - 2

Tip Armbar can be open for easily placing and removing child.

Care and Maintenance

1. Removable seat pad may be washed in cold water and drip-dried. No bleach.
2. To clean stroller frame, use only household soap and warm water. No bleach or detergent.
3. From time to time check your stroller for loose screws, worn parts, torn material or stitching. Replace or repair the parts as needed.
4. Excessive exposure to sun or heat could cause fading or warping of parts.
5. If stroller becomes wet, open hood and allow to dry thoroughly before storing.
6. If wheels squeak, use a light oil (e.g., Silicon Spray, antirust oil, or sewing machine oil). It is important to get the oil into the axle and wheel assembly. 
7. If brake pedal stiff/hard to fully engage, flush any debris from brake system with clean water first before lubricating.
8. When using your stroller at the beach or areas of high dust/sand, completely clean your stroller after use to remove sand and salt from brake mechanisms and wheel assemblies.

FR Bienvenue dans l'univers de Joie™

Félicitations d'avoir rejoint la famille Joie en choisissant cette poussette. Lorsque vous faites une promenade avec la poussette Muze™ de Joie vous utilisez une poussette pour enfants de grande qualité, qui est conforme et homologuée aux normes européennes de sécurité en vigueur EN 1888-1:2018. Ce produit s'utilise pour les enfants dont le poids est inférieur ou égal à 15 kilos. Lisez attentivement ce manuel d'instructions et suivez les recommandations afin d'utiliser la poussette dans les meilleures conditions de confort et de sécurité.

IMPORTANT - CONSERVER CES INSTRUCTIONS POUR CONSULTATION ULTÉRIEURE

Consultez le site de la marque joiebaby.com pour télécharger des manuels d'utilisation et pour d'autres produits de la marque Joie ! Pour obtenir des informations sur la garantie, veuillez consulter notre site Web à l'adresse suivante : www.joiebaby.com

Table de matières

Illustrations	1-7
Avertissements	19
Assemblage de la poussette	20
Ouverture de la poussette	21
Assemblage des roues avant	21
Assemblage des roues arrière	21
Utilisation de la poussette	21
Réglage de l'inclinaison	21
Utilisation de la boucle	21
Utilisation du harnais au niveau des épaules et de la ceinture	22
Réglage du repose jambes	22
Utilisation du système de verrouillage	22
Utilisation du frein	22
Utilisation de la capote	22
Pliage de la poussette	22
Utilisation du bouton de pliage	23
Utilisation des accessoires	23
Entretien et réparation	24

Cas d'urgence

En cas d'urgence ou d'accident, il est très important de prendre immédiatement soin de votre enfant en lui prodiguant les soins de premiers secours puis en le faisant examiner par un médecin.

Informations sur le produit

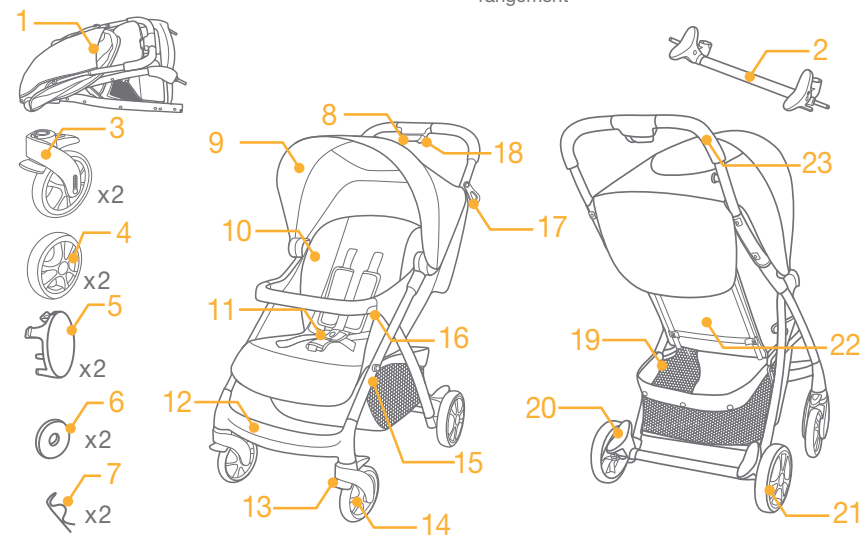
Lisez attentivement les instructions de ce manuel avant d'utiliser le produit. Si vous avez d'autres questions, merci de contacter votre revendeur. De telles caractéristiques peuvent varier d'un produit à l'autre.

Produit	Poussette pour les enfants
Adéquat pour	Enfants au moins de 15 kilos (naissance - 36 mois)
Matériaux	matériaux plastique, tissus
No. Brevet	Brevet en cours d'agrément
Fabriqué en	Chine
Nom de la marque	Joie
Page Web	www.joiebaby.com
Fabricant	Allison Baby UK Ltd

Liste des composants

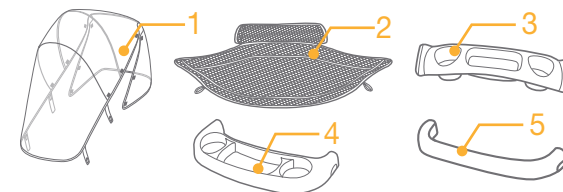
Assurez-vous que toutes les pièces sont disponibles avant l'assemblage. Si une pièce manque, contactez le distributeur local. Les outils ne sont requis pour l'assemblage.

- | | | | |
|--------------------------|-------------------------------------|---|------------------------|
| 1 Châssis | 7 Epingle (x2) | 13 Loquet de verrouillage | 18 Loquet secondaire |
| 2 Système essieu arrière | 8 Bouton de pliage à une seule main | 14 Roue avant | 19 Panier de rangement |
| 3 Roue avant (x2) | 9 Capote | 15 Armature du panier de rangement | 20 Pédale de frein |
| 4 Roue arrière (x2) | 10 Assise | 16 Barre d'appui | 21 Roue arrière |
| 5 Capuchon(x2) | 11 Boucle | 17 Loquet de fixation du système de rangement | 22 Dossier |
| 6 Rondelle (x2) | 12 Repose-pieds | | 23 Guidon |



Accessoires (Peuvent ne pas être inclus avec la poussette)

- | |
|-------------------------------|
| 1 Habillage de pluie |
| 2 Moustiquaire |
| 3 Rangements pour les parents |
| 4 Plateau amovible enfant |
| 5 Barre d'appui |



AVERTISSEMENTS

- ! AVERTISSEMENT: Important - A lire attentivement et à conserver pour référence ultérieure.
- ! AVERTISSEMENT : Ne jamais laisser un enfant sans surveillance.
- ! AVERTISSEMENT : S'assurer que tous les dispositifs de verrouillage sont enclenchés avant utilisation.
- ! AVERTISSEMENT : Pour éviter toute blessure, maintenir l'enfant à l'écart lors du dépliage ou du pliage du produit.
- ! AVERTISSEMENT : Ne jamais laisser un enfant jouer avec ce produit.
- ! AVERTISSEMENT: Utiliser un harnais dès que l'enfant peut tenir assis tout seul.
- ! AVERTISSEMENT: Toujours utiliser le système de retenue.
- ! AVERTISSEMENT: Vérifier que les dispositifs de fixation de la nacelle, du siège ou du siège-auto sont correctement enclenchés avant utilisation.
- ! AVERTISSEMENT : Ce produit ne convient pas pour faire du jogging ou des promenades en rollers.
- ! Assurez-vous que lorsque vous montez la poussette le corps de votre enfant est à une distance des pièces détachables.
- ! L'enfant peut glisser en sous marinage et peut s'étrangler si le harnais n'est pas utilisé.
- ! N'utilisez jamais la poussette sur des marches ou des escaliers roulants.
- ! Gardez le produit à une distance des objets ayant une température élevée, des liquides ou des objets électroniques.
- ! Ne rangez pas de produits qui peuvent blesser l'enfant ou endommager la poussette sur le plateau de rangement pour les parents.
- ! Ne permettez jamais à l'enfant de rester debout dans la poussette ou de se pencher vers la partie avant de la poussette.
- ! Ne laissez jamais la poussette sur les routes, sur les pentes inclinées ou dans des environs accidentés.
- ! Pour éviter l'étranglement, n'accrochez pas d'objets avec des ficelles autour du cou de votre enfant, suspendez les courroies de ce produit et attachez-les aux jouets.
- ! Ne levez pas la poussette lorsque l'enfant est dans le siège.
- ! N'asseyez pas un enfant dans le panier.
- ! Pour éviter le basculement de la poussette, ne permettez pas à l'enfant de monter sur la poussette.

- ! Pour éviter de coincer les doigts, dépliez et pliez attentivement la poussette.
- ! Assurez-vous que le produit est complètement ouvert ou plié avant de laisser l'enfant s'approcher de la poussette.
- ! Pour la sécurité de l'enfant, vérifiez si tous les composants sont enclenchés correctement avant d'utiliser la poussette.
- ! Pour éviter que votre enfant ne s'étrangle, veillez à ce qu'il n'ait aucune ficelle ou cordelette autour de son cou ou la capote à portée de sa main.
- ! Activez toujours les freins lorsque vous stationnez la poussette.
- ! Arrêtez d'utiliser de la poussette si elle devient endommagée ou cassée.
- ! La poussette sera utilisée seulement pour la vitesse de la marche. Ce produit n'est pas conçu pour usage pendant la course à pied.
- ! Pour éviter l'étouffement, enlevez le sac en plastique et les matériaux pour l'emballage avant d'utiliser le produit. Le sac en plastique et les matériaux pour l'emballage doivent puis être tenus hors de la portée des bébés et des enfants.
- ! Le poids maximum recommandé est de 1.36kg/3lbs.
- ! La poussette est conçue pour une utilisation dès la naissance de l'enfant, on recommande d'installer les nouveaux-nés dans la position la plus inclinée.
- ! Le dispositif de stationnement doit être activé pour asseoir ou lever l'enfant.
- ! Des précautions supplémentaires sont nécessaires en cas d'utilisation sur des véhicules en mouvement et l'enfant ne doit pas être laissé sans surveillance, même avec les freins enclenchés.

Assemblage de la poussette

Veillez lire toutes les instructions de ce manuel avant de monter et utiliser ce produit.

Ouverture de la poussette

Au cas où la poussette est bloquée comme dans le schéma ② - 1, dégagez le support de rangement ② - 2. du châssis ② - 3, et puis levez le guidon pour ouvrir la poussette. Un clac signifie que la poussette est maintenant complètement ouverte. ②

! Assurez-vous que la poussette est complètement ouverte avant de continuer.

Montage des roues avant

Assemblez les roues avant sur les supports avant. Vérifiez si les roues sont correctement fixées en essayant de les détacher. ③

Les roues avant peuvent être démontées en actionnant en direction inverse le bouton pour désengager la roue. ④

Assemblage des roues arrière

Montez les roues en respectant les étapes suivantes.

1. Démontez et enlevez les deux capuchons terminaux sur l'essieu arrière avant de monter les roues arrière. ⑤ - 1
2. Fixez la barre de l'essieu arrière aux supports arrière ⑤. Vérifiez si la barre de l'essieu arrière est enclenché correctement en tirant dessus.
3. Placez une des roues arrière et la rondelle sur un un des côtés de l'essieu. ⑥
4. Pour fixer la roue et la rondelle sur l'essieu, enfoncez le côté droit de l'épingle dans le trou de l'essieu ⑦. L'épingle doit être fixée comme dans le schéma. ⑧
 - ! La partie courbée de l'épingle doit être positionnée à l'extérieur de l'essieu.
 - ! Assurez-vous que la rondelle est entre l'épingle et la roue.
5. Alignez les trous sur l'épingle avec ceux de la roue, clippez le capuchon sur la roue pour couvrir la rondelle et l'épingle. ⑨

Les roues arrière complètement assemblées sont illustrées dans le schéma. ⑩

Utilisation de la poussette

Réglage de l'inclinaison du dossier

Il y a 4 positions pour incliner le dossier

Pour incliner le dossier, actionnez la poignée d'inclinaison qui se situe au dos du dossier ⑪, inclinez le dossier vers le bas. ⑫ Pour redresser le dossier, poussez-le vers le haut.

! Assurez-vous que l'inclinaison est mise correctement avant l'utilisation.

Utilisation de la boucle

Appuyez sur le bouton central pour dégager les boucles du harnais. ⑬

Enclenchement de la boucle

Emboitez la boucle du harnais (niveau ceinture) avec celle pour les épaules ⑭ - 1, et insérez l'ensemble au milieu de la boucle ⑭ - 2. Un clac signifie que la boucle du harnais est correctement enclenchée. ⑭ - 3

! Pour éviter des blessures graves à cause de la chute ou du glissement de l'enfant de la poussette, attachez toujours l'enfant avec le harnais.

! Assurez-vous que l'enfant est bien attaché de manière confortable. L'espace entre le corps de l'enfant et la ceinture pour les épaules est d'environ un doigt.

! Ne croisez pas les ceintures pour les épaules. Ceci entraîne de la pression sur le cou de l'enfant.

Utilisation du harnais au niveau des épaules et de la ceinture

! Une fois que vous avez installé l'enfant dans sa poussette, vérifiez que les harnais au niveau des épaules et de la ceinture sont bien ajustés pour éviter que l'enfant ne glisse ou ne tombe.

- ⑮ - 1 Position A du harnais pour les épaules
- ⑮ - 2 Position B du harnais pour les épaules
- ⑮ - 3 Dispositif pour le réglage du glissement

Pour un enfant plus grand, utilisez le dispositif A pour le réglage du harnais pour les épaules et les fentes les plus hautes pour les épaules. Pour un enfant plus petit, utilisez le dispositif B pour le réglage du harnais pour les épaules et les fentes les plus bas pour les épaules.

Vous disposez de 3 hauteurs pour fixer le harnais des épaules et l'ajuster au mieux à la taille de l'enfant. ⑯

Utilisez le dispositif de réglage de la glissière pour modifier la longueur du harnais. ⑰ - 1

Insérez la boucle ⑰ - 2, et régler le harnais ventral à la taille de l'enfant. ⑰ - 3.

Réglage du repose jambes

Il y a 2 positions pour le repose jambes.

Afin de régler le repose jambes, appuyez sur les boutons situés en dessous pour le réglage ⑱ - 1 et baissez ou relevez le support pour les jambes en haut ou en bas. ⑱ - 2

Utilisation du système de fixation des roues avant

Tirez les loquets vers le haut haut pour maintenir les roues en position fixe. ⑲

Conseil On recommande l'utilisation des roues en position fixe lorsque la poussette roule sur des surfaces irrégulières.

Utilisation du frein

Pour bloquer les roues, appuyez le pied sur les pédales de frein ⑳, Relevez les pédales de frein pour libérer les roues.

Conseil Le frein doit être verrouillé lorsque vous asseyez ou sortez l'enfant de la poussette.

Conseil Enclenchez toujours le frein lorsque la poussette est en stationnement.

Conseil Pour vous assurer que le frein est bien enclenché, faites rouler doucement la poussette en avant et en arrière avant de lâcher le guidon.

Conseil Nettoyez régulièrement le système de freinage pour vous assurer qu'il est complètement fonctionnel. Voir la section Entretien et maintenance.

Utiliser la capote

Pour ouvrir la capote, tirez dessus vers l'avant. ㉑

Pour replier la capote, repliez-la vers l'arrière. ㉒






Pliage de la poussette

Appuyez le loquet secondaire ㉓ - 1 et serrez la poignée de pliage avec une main ㉓ - 2. Poussez la poussette vers l'avant pour la plier. Une fois pliée, fixez le loquet de fermeture sur le châssis. ㉔ - 1. La poussette est pliée et maintenue fermée. ㉔

Utilisation de la sangle

Attachez bien la sangle pour transporter facilement la poussette en la faisant rouler. 

Utilisation des accessoires

-  - 1 Habillage de pluie
-  - 2 Moustiquaire
-  - 3 Barre de rangement pour les parents
-  - 4 Plateau amovible pour enfant
-  - 5 Barre d'appui

Les accessoires peuvent être vendus séparément ou peuvent ne pas être disponibles sur toutes les régions.

Utilisation de la poussette avec une coque de Joie

Lorsque vous utilisez le Siege auto Juva de Joie, veuillez lire attentivement les instructions suivantes.

- ! Si vous rencontrez des difficultés pour l'utilisation de la coque, merci de vous reporter au manuel d'instructions.
- ! Ne repliez pas la poussette lorsque vous fixez la coque.



Utilisation de l'habillage de pluie

Pour fixer l'habillage de pluie, installez-le sur la poussette et puis attachez les 10 paires de bandes Velcro sur le châssis de la poussette. 

- ! Avant d'utiliser l'habillage de pluie, assurez-vous que le dossier a été réglé dans la position la plus basse et que la coque a bien été fixée.
- ! Après avoir attaché l'habillage de pluie, remplacez le plateau de rangement pour les parents sur le guidon.
- ! Quand vous utilisez l'habillage de pluie, toujours vérifiez sa ventilation.
- ! Lorsque vous ne l'utilisez pas, veuillez vérifier qu'il a bien été nettoyé et séché avant de le plier.
- ! Si l'habillage de pluie est sur la poussette, enlevez-le toujours afin d'éviter les déchirures et les détériorations.
- ! N'asseyez jamais votre enfant dans la poussette avec l'habillage de pluie installée dans la saison chaude.
- ! Lorsque vous utilisez la poussette sur la plage, nettoyez-le complètement après pour enlever le sable et le sel des mécanismes et les systèmes de roues.


Utilisation de la moustiquaire

Positionnez la moustiquaire sur la poussette. Suivre les étapes suivantes pour bien installer la moustiquaire.

1. Attachez l'élastique sur le rivet en plastique.  - 1
2. Enroulez sur le le châssis au niveau du repose-pied les bandes Velcro®.  - 2
3. Répétez ces opérations sur le côté opposé


La moustiquaire doit être installée comme sur le schéma. 

Installation du plateau de rangement pour les parents

Pour installer le plateau pour les parents, fixez-le sur les encoches qui sont situés de chaque côté du châssis deux côtés de la poignée. 



- ! Ne rangez aucun article qui peut blesser l'enfant ou endommager la poussette dans toute manière sur le plateau pour les parents.
- ! Le poids maximum recommandé pour le plateau des parents est de 1.36kg/3lbs.

Utilisation du plateau amovible pour l'enfant

Le plateau amovible pour l'enfant peut être détaché vers le haut du côté gauche mais aussi du côté droit. 

Pour faire cette opération, pressez le bouton comme le montre le schéma  - 1, et puis tirez le plateau vers le haut.  - 2

Utilisation de la barre d'appuis


Placez la barre d'appui à la hauteur de l'emplacement prévu sur le châssis et clippez la sur les 2 encoches prévues à cet effet.  

la barre d'appui peut être retirée en la soulevant vers le haut du côté gauche et aussi du côté droit.

Appuyez sur le bouton pour retirer la barre d'appui  - 1  - 2

Conseil La barre d'appui peut être ouverte d'un côté pour faciliter l'installation ou la sortie de l'enfant de la poussette.

Entretien et maintenance

1. L'assise du siège est amovible et peut être lavée dans l'eau froide et séchée à plat sans essorage. Ne pas utiliser de détergent ou d'eau de Javel.
2. Pour nettoyer le châssis de la poussette, utilisez seulement du savon de ménage ou de l'eau chaude. Ne pas utiliser de détergent ou d'eau de Javel.
3. De temps en temps vérifiez la poussette pour des vis desserrées, pièces usagées, tissu ou couture déchiré. Remplacez ou réparez les composants au besoin.
4. L'exposition excessive au soleil ou à la chaleur peut entraîner la décoloration ou la déformation des certains composants.
5. Au cas où la poussette est humide, ouvrez la capote et laissez-la sécher complètement avant de la ranger.
6. Si les roues grincent, utilisez un lubrifiant (par exemple, pulvérisation régulièrement avec silicium, huile cotre la rouille, ou huile pour la machine à coudre). Il est important de mettre l'huile dans le système de roues ou l'essieu. 
7. Si la pédale de frein est ferme/difficile à enclencher complètement, nettoyez d'abord les poussières du système de freinage à l'eau claire avant de procéder à la lubrification.
8. En cas d'utilisation de votre poussette à la plage ou dans des lieux contenant d'importantes quantités de poussière/sable, nettoyez complètement votre poussette après utilisation pour retirer le sable et le sel des mécanismes de freinage et des roues.

DE Willkommen bei Joie™

Herzlichen Glückwunsch, dass Sie ein Teil der Joie Familie geworden sind! Wir freuen uns sehr, an die Reise mit ihrem Kind teilzunehmen. Während dem Spaziergang mit seinem Joie MUZE™ verwenden Sie ein hochwertiges, vollständig zertifiziertes und nach europäischen Sicherheitsnormen EN 1888-1:2018 genehmigtes Kinderwagen. Dieses Produkt dient zum Einsatz für Kinder mit einem Körpergewicht bis 15 kg. Lesen Sie dieses Handbuch sorgfältig durch und befolgen Sie jeden Schritt, um eine komfortable Fahrt und den besten Schutz für Ihr Kind zu gewährleisten.

WICHTIG - BEWAHREN SIE DIESE ANLEITUNGEN, UM SIE AUCH IN DER ZUKUNFT DURCHZULESEN.

Besuchen Sie uns auf joiebaby.com, um die Anleitungen zu downloaden und mehrere tolle Produkte von Joie zu sehen! Besuchen Sie unsere Website joiebaby.com, um mehr über unsere Gewährleistungsbedingungen zu erfahren.

Inhalt

Bilder	1-7
Warnungshinweise	27
Zusammenbau des Kinderwagens	28
Öffnung des Kinderwagens	29
Zusammenbau Vorderräder	29
Zusammenbau Hinterräder	29
Bedienung des Kinderwagens	29
Einstellung der Neigung	30
Verwendung der Schnalle	30
Verwendung der Schulter und Taillengurte	30
Einstellung der Unterschenkellehne	30
Verwendung der Sperrung des Vorderhakens	30
Verwendung der Bremse	30
Verwendung der Bedeckung	30
Faltung des Kinderwagens	30
Verwendung des Stützbandes	31
Zubehöre verwenden	31
Pflege und Wartung	32

Notfälle

ACHTUNG! Im Notfall oder Unfall das Wichtigste ist die Betreuung ihres Kindes durch Erste Hilfe oder unverzügliche ärztliche Behandlung.

Produktinformationen

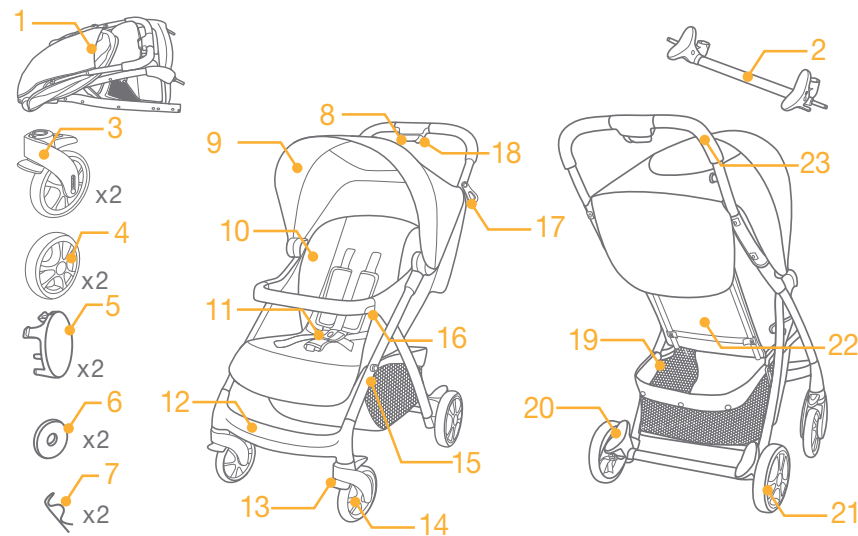
Lesen Sie alle Anweisungen in diesem Handbuch vor Gebrauch des Produkts. Wenn Sie andere Fragen haben, wenden Sie sich bitte an den Händler. Einige Merkmale können nach dem Model variieren.

Produkt	Kinderwagen
Geeignet für	Kinder mit einer Gewicht unter 15 kg (Geburt - 36 Monate)
Materialien	Aluminium, Kunststoff, Textilien
Patent Nr.	anhängige Patente
Hergestellt in	China
Markenname	Joie
Webseite	www.joiebaby.com
Hersteller	Allison Baby UK Ltd

Liste der Bauteile

Vor Zusammenbau, achten sie darauf, dass alle Teile verfügbar sind. Wenn einen Teil fehlt, kontaktieren Sie den örtlichen Händler. Für den Zusammenbau sind keine Werkzeuge erforderlich.

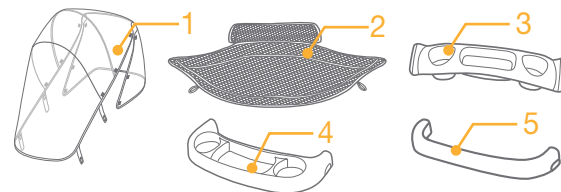
1 Kinderwagenrahmen	8 Handgriff für Faltung mit einer Hand	13 Hakenspernung	19 Lagerkorb
2 Hinterachssystem	9 Bedeckung	14 Vorderrad	20 Bremsfußhebel
3 Vorderrad (x 2)	10 Sitzkissen	15 Stützrahmen für Lagerung	21 Hinterrad
4 Hinterrad (x 2)	11 Schnalle	16 Handbefreiung	22 Lehne
5 Deckel (x 2)	12 Fußlehne	17 Lagerplatte	23 Handgriff
6 Scheibe (x 2)			
7 Nagel (x 2)			



Zubehör

(im Ankauf eventuell nicht enthalten)

- 1 Parapioggia
- 2 Insektennetz
- 3 Elternplatte
- 4 Schwenkbare Platte für das Kind
- 5 Armlehne



WARNUNGSHINWEISE

- ! ACHTUNG Verwenden Sie immer der Taillengurt mit dem Beinengurt. Verwenden Sie auch die Schultergurte.
- ! ACHTUNG Achten Sie Vor der Verwendung darauf, dass alle Sperrvorrichtungen betätigt sind.
- ! ACHTUNG Um Verletzungen zu vermeiden, versichern Sie sich, dass das Kind weit ist, wenn das Produkt eröffnet und gefaltet wird.
- ! ACHTUNG Lassen Sie das Kind mit dem Produkt nicht spielen.
- ! Es muss von einem Erwachsenen verpackt werden.
- ! Es besteht das Risiko von Beschädigungen am Kinderwagen falls Sie ein Kind mit einem Körpergewicht höher als 15 kg darin befördern sollten.
- ! Um eine gefährliche, instabile Bedingung zu verhindern, verwenden Sie keine Gewicht von mehr als 4.5 kg in dem Ablagekorb.
- ! Lassen Sie das Kind unbeaufsichtigt nicht. Beobachten Sie das Kind, wenn er in dem Kinderwagen sich befindet.
- ! Verwenden Sie den Kinderwagen nur mit einem Kind. Setzen Sie niemals Taschen, Einkaufstaschen, Verpackungen oder Zubehöre auf dem Griff oder der Bedeckung
- ! Die Überladung, fehlerhafte Faltung oder Verwendung von Ersatzteilen anderer Hersteller kann Schäden am Kinderwagen verursachen, kann es zerstören oder unsicher machen. Lesen Sie die Bedienungsanleitungen sorgfältig durch.
- ! Lesen Sie alle Anweisungen in diesem Handbuch vor Gebrauch dieses Produkts. Bewahren Sie die Bedienungsanleitung für künftigen Durchsehen. Die Nichtbeachtung dieser Warnungen oder Anleitungen kann zu schwerer Verletzung oder zum Tod führen.
- ! Die Sicherheitsgurte und das Befestigungssystem müssen sachgemäß verwendet werden.
- ! Um schwere Verletzungen wegen Verrutschen oder Herabfallen aus dem Kinderwagen zu vermeiden, verwenden Sie immer den Gurt.
- ! Bei Einstellung des Kinderwagens müssen Sie sich versichern, dass Ihr Kind weit von den beweglichen Teilen ist.
- ! Bei Nichtverwendung des Gurtes kann das Kind in den Fußöffnungen rutschen oder er kann sich erdrücken.
- ! Verwenden Sie niemals den Kinderwagen auf Treppen oder Fahrtreppen.
- ! Halten Sie das Gerät fern von Hochtemperatur-Gegenstände, Flüssigkeiten oder elektronischen Geräten.
- ! Bringen Sie keinen Gegenstand in der Elternplatte, der das Kind verletzen kann und den Kinderwagen beschädigen.
- ! Lassen Sie Ihr Kind im Kinderwagen zu stehen oder mit dem Kopf in Richtung der Vorderseite des Wagens zu sitzen.
- ! Stellen Sie den Kinderwagen auf gefährlichen Straßen, Gefällen oder Bereichen nicht.
- ! Achten Sie vor Verwendung des Kinderwagens darauf, dass alle Mechanismen befestigt wurden.

- ! Vermeiden Sie Strangulierung, stellen Sie keine Gegenstände mit Gürtel rund um den Hals des Kindes nicht, hängen Sie Drahten bei diesem Produkt oder den Spielzeuge auf.
- ! Stellen Sie nichts auf dem Hebel, um Ausrutschen zu verhindern. Heben Sie das Kind in den und aus dem Kinderwagen.
- ! Heben Sie nicht den Kinderwagen mit dem Kind hinein aus.
- ! Verwenden Sie den Lagerkorb für Transport des Kindes nicht.
- ! Um die Kippung zu verhindern, erlauben Sie dem Kind nicht, auf dem Kinderwagen zu steigen.
- ! Um nicht Ihre Finger einzuklemmen, entpacken und falten Sie den Kinderwagen sorgfältig.
- ! Stellen Sie sicher, dass der Kinderwagen vollständig geöffnet und gefaltet ist, vor das Kind in seiner Nähe zu lassen.
- ! Für die Sicherheit des Kindes, stellen Sie sich vor Verwendung des Wagens sicher, dass alle Zusammenbau-Teile richtig befestigt sind.
- ! Prüfen Sie, ob die Verbindungsvorrichtung zu dem Fahrsitz vor der Benutzung sachgemäß verkoppelt ist.
- ! Vermeiden Sie Strangulierung, stellen Sie sich sicher, dass es einen beträchtlichen Abstand zwischen dem Kind und der Bedeckung gibt.
- ! Betätigen Sie immer die Bremse bei Parken des Kinderwagens.
- ! Verwenden Sie den Kinderwagen nicht, wenn es defekt oder beschädigt ist.
- ! Die Verwendungsgeschwindigkeit des Kinderwagens ist die Ganggeschwindigkeit. Dieses Produkt wird nicht während Laufen nicht verwendet.
- ! Um Erstickungsgefahr zu vermeiden, entfernen Sie Plastiktüten und Verpackungsmaterial vor Verwendung des Produktes. Plastiktüten und Verpackungsmaterial müssen weit von den Babys und Kinder bewahrt werden.
- ! Dieses Produkt wird während Laufen oder Rollschuhlaufen nicht verwendet.
- ! Die maximale empfohlene Gewicht für die Platte ist 1.36kg/ 3lbs.
- ! Für den Kinderwagen, der für die Benutzung von Geburt des Kindes geplant wurde, wird die Auflegung der Neugeborenen in einer möglichst geeigneten Position empfohlen.
- ! Die Parkvorrichtung muss zur Legung oder Ausziehen der Kinder betätigt werden.
- ! Für die Fahrzeugsitze mit Sitzträger wird in dem Fahrzeug ein Kinderbett oder Bett nicht ersetzen. Wenn Ihr Kind schlafen muss, dann sollte das Kind in einem Kinderwagen, Kinderbett oder Bett angemessen gestellt werden.
- ! Seien Sie bei Verwendung auf beweglichen Fahrzeugen besonders vorsichtig; lassen Sie das Kind selbst bei festgestellter Bremse nicht unbeaufsichtigt.

Zusammenbau des Kinderwagens

Bitte lesen Sie alle Hinweise aus diesem Buch vor Zusammenbau und Verwendung dieses Produktes,

Öffnung des Kinderwagens

Wenn der Kinderwagen wie im Bild 2 - 1, verriegelt ist, trennen Sie die Lagerplatte 2 - 2 von dem Rahmen 2 - 3, und danach heben sie den Griff ab, um den Kinderwagen zu öffnen. Ein Klirren zeigt, dass der Kinderwagen vollständig gefaltet wurde. 2

! Vor Weitergehen, sichern Sie sich, dass der Kinderwagen vollständig geöffnet ist.

Zusammenbau Vorderräder

Bauen Sie die Vorderräder zu den vorderen Halten zusammen. Prüfen Sie, ob die Räder richtig verbunden sind, indem Sie die Rad-Systeme einziehen. 3

Die Vorderräder können durch rückgekehrtes Drücken der Befestigungstasten zergliedert werden. 4

Zusammenbau Hinterräder

Folgen Sie die folgenden Schritten, um die Hinterräder zusammenzubauen.

1. Entfernen und beseitigen Sie die zwei Deckel auf der Hinterachse vor Zusammenbau der Hinterräder. 5 - 1
2. Bauen Sie das System der Hinterachse 5 auf den hinteren Halter zusammen. Prüfen Sie, ob das Hinterachse-System richtig gestellt wurde, indem Sie von dem System der Hinterachsen ziehen.
3. Bringen Sie das Hinterrad und die Scheibe auf einer Seite der Hinterachse an. 6
4. Um das Rad und die Scheibe auf der Achse zu befestigen, schieben Sie die rechte Seite des Nagels durch den Loch der Achse. 7
Der zusammengefügte Nagel sieht wie im Bild 8 aus.
! Die gebogene Seite des Nagels muss außen der Achse sein.
! Stellen Sie sich sicher, dass die Scheibe zwischen dem Nagel und dem Rad sich befindet.
5. Richten Sie die Schraubenlöcher mit den Löchern auf dem Rad aus, kapseln Sie den Deckel über dem Rad um die Scheibe und den Nagel zu decken. 9

Die vollständig gebauten Hinterräder werden in Bild 10 dargestellt.

Verwendung des Kinderwagens

Einstellung der Neigung

Neigung der Lehne

Es geben 4 Winkel für die Lehne.

Um die L 11, ehne zu neigen, legen sie den Neigungsgriff vom Hinter des Sitzes zusammen, ziehen Sie die Lehne sich wieder hin. 12

Um die Lehne abzuheben, drücken Sie es nach oben.

! Stellen Sie sicher, dass die Neigung richtig ist für den Einsatz konfiguriert ist.

Verwendung der Schnalle

Lostrennung der Schnalle

Drücken Sie die Zentraltaste, um die Schnalle zu befreien. 13

Sperrung der Schnalle

Passen Sie die Schnalle von der Taille mit den Schulternschalle und fügen Sie sie in der Mittenschnalle an

14 - 1 14 - 2 Ein Klirren zeigt die vollständige Sperrung der Schnalle. 14 - 3

! Um schwere Verletzung oder Ausrutschen zu vermeiden, schützen Sie ihr Kind immer mit Gurten.

! Geben Sie Ihrem Kind Sicherheit in einer bequemen Weise. Der Raum zwischen dem Kind und dem Schultergurt beträgt etwa eine Handbreit.

! Überqueren Sie die Schultergurte nicht. Das wird Druck auf dem Hals des Kindes verursachen.

Verwendung der Schulter und Taillengurte

! Um das Kind bei Herabfallen zu schützen, prüfen Sie, nach dem Sie das Kind auf dem Sitz gelegt hat, ob die Schultergurte zu einen passenden Höhe und Länge sind.

15 - 1 Anker A des Schulter gurtes

15 - 2 Anker B des Schulter gurtes

15 - 3 Einstellungs/Schiebevorrichtung

Für ein großes Kind verwenden Sie Anker A des Schultergurtes und die höchsten Schulterbereiche. Für ein kleines Kind verwenden Sie Anker B des Schultergurtes und die niedrigsten Schulterbereiche.

Verwenden Sie jede Anker des Schultergurtes, die nächstgelegenen von dem Schulter des Kindes sind. 16

Verwenden sie die Gleitvorrichtung für Schieben, um die Länge des Gurtes zu ändern. 17 - 1

Drücken Sie die Taste während Sie den Taillengurt zu einer anpassenden Länge einstellen 17 - 2 17 - 3

Einstellung der Unterschenkellehne

Die Unterschenkellehne hat 2 Positionen.

Um die Unterschenkellehne anzupassn, drücken Sie die Regelungstasten unter ihm 18 - 1 und drehen Sie die Unterschenkellehne nach unter oder nach oben. 18 - 2

Verwendung der Vorderhakensperrung

Ziehen Sie die Befestigungsvorrichtungen des Vorderhakens, um die Bewegungsrichtung zu erhalten. 19

Hinweis Es wird die Verwendung der Hakenverriegelungen auf unebenen Flächen empfohlen.

Verwendung der Bremse

Drücken Sie den Bremsfußhebel um die Räder abzusperren, wie im Bild 20, Heben Sie den Bremshebel ab, um die Räder zu befreien.

Hinweis Die Bremse muss zum Zeitpunkt des Legen oder Heben des Kindes betätigt sein.

Hinweis Betätigen Sie die Bremse, wenn der Kinderwagen unbeweglich ist.

Hinweis Um die vollständige Betätigung der Bremse zu versichern, schwenken Sie den Kinderwagen leicht nach vorne und nach hinten vor Befreiung des Griffes.

Hinweis Reinigen Sie das Bremssystem regelmäßig, damit es voll funktionsfähig bleibt. Beachten Sie dazu den Abschnitt Pflege und Wartung.

Verwendung der Bedeckung

Um die Bedeckung zu öffnen, ziehen Sie es nach vorne. 21

Um die Bedeckung zusammenzufalten, ziehen Sie es nach hinten. 22

Faltung des Kinderwagens

Drücken Sie den Nebenverschluß 23 - 1 und ziehen Sie den Faltungsgriff mit einer Hand 23 - 2. Für Faltung, schieben Sie den Kinderwagen nach vorne. Sperren Sie den Kinderwagen durch Fälteln des Lagerverschlusses auf der Lagerplatte 24 - 1. Der Kinderwagen ist gefaltet und vollständig gesperrt. 24

Verwendung des Stützbandes

Befestigen Sie den Stützband für eine leichte Beförderung.

Verwendung der Zubehöre

- 1 Regenmantel - 2 Insektennetz - 3 Elternplatte
 - 4 Schwenkbare Platte für das KindZubehör kann - 5 Armlehne

separat verkauft werden oder nicht verfügbar ist, hängt von der Region.

Mit Joie-Kinderrückhaltesystem verwenden

Beachten Sie bei Verwendung mit dem Joie-Kinderrückhaltesystem "juva" die folgenden Anweisungen.

- ! Bei Unklarheiten bezüglich der korrekten Nutzung der Babyschale ziehen Sie hierfür bitte das zugehörige Handbuch heran.
- ! Klappen Sie den Kinderwagen nicht zusammen, während das Kinderrückhaltesystem angebracht ist.

Verwendung des Regenmantels

Zur Befestigung des Regenschutzes legen Sie ihn über den Kinderwagen und bringen dann 10 Hakenpaare und Schlaufenbefestiger am Regenschutz an.

- ! Vor dem Regenmantel zu verwenden, stellen Sie sich sicher, dass es in der niedrigsten Position geregelt wurde und den Kindersitz befestigt wurde.
- ! Nach dem Zusammenbau des Regenmantels, bauen Sie die Elternplatte wieder.
- ! Prüfen Sie die Belüftung bei Verwendung des Regenmantels.
- ! Wenn Sie den Regenmantel nicht verwenden, prüfen Sie ob den Regenmantel vor der Faltung geputzt oder getrocknet wurde.
- ! Wenn den Regenmantel auf dem Kinderwagen steht, beseitigen Sie es, um Rissen oder Beschädigungen zu verhindern.
- ! Setzen Sie das Kind in dem Kinderwagen mit dem zusammengebauten Regenmantel nicht, wenn es warmes Wetter gibt.
- ! Bei Verwendung des Kinderwagens am Strand, putzen Sie es nach Gebrauch, um vollständig Sand und Salz von den Mechanismen und Rädern zu entfernen.

Verwendung des Insektennetzes

Decken Sie den Kinderwagen mit dem Insektennetz ab. Folgen Sie die folgenden Schritten, um den Insektennetz zu sichern.

1. Legen Sie den elastischen Gurt zu dem Haken hinter des Kunststoffes. - 1
2. Wickeln Sie es rund um die untere Seite der Fußlehne und danach kleben Sie die Velcro® Klette. - 2
3. Wiederholen Sie die oben genannten Schritten, um den Insektennetz auf der anderen Seite zu sichern.

Der Insektennetz sieht wie im Bild aus.

Verwendung der Elternplatte

Um die Elternplatte zusammenzubauen, legen Sie es auf den Rahmen bds des Griffs bei.

- ! Bringen Sie keinen Gegenstand in der Elternplatte, der das Kind verletzen kann und den Kinderwagen beschädigen.
- ! Die maximale empfohlene Gewicht für die Platte ist 1.36kg/ 3lbs.

Verwendung der schwenkbaren Platte für das Kind

Die schwenkbare Platte für das Kind kann nach oben, aber auch nach rechts abgehoben werden.

Um die schwenkbare des Kindes zu öffnen, drücken Sie deren Befreiungstaste und - 1, danach ziehen sie die Platte nach oben. - 2

Verwendung der Armlehne

Richten Sie das Ende der Armlehne mit entsprechenden Komponente und dann drücken Sie den Verschluss.

Die Armlehne kann hochgezogen, sowie links und rechts gezogen werden.

- 1 - 2. Drücken Sie die Entriegelungstaste der Armlehne und ziehen Sie die Armlehne.

Hinweis Die Armlehne kann für einfache Positionierung und leichte Entfernung geöffnet werden.

Pflege und Wartung

1. Das abnehmbare Sitzkissen kann mit Kaltwasser gewaschen werden und ohne Falten getrocknet. Keine Bleichung.
2. Um den Rahmen des Kinderwagens zu reinigen, verwenden Sie nur Seifen und Warmwasser. Verwenden Sie keine Bleichungs- oder Waschmittel.
3. Prüfen Sie den Kinderwagen ab und zu, damit es keine lose Schrauben, Verschleißteile, beschädigte Materialien oder Nähte geben. Ersetzen oder reparieren Sie solche Teile.
4. Eine übermäßige Sonneneinstrahlung oder Hitzebestrahlung kann zu Verfärbungen oder Verformungen der Teile führen.
5. Wenn der Kinderwagen naß wird, öffnen Sie die Bedeckung und erlauben ihm vollständig vor der Lagerung zu trocknen.
6. Wenn die Räder kreischen, verwenden Sie ein leichtes Öl (z.B. Einsprühung von Silizium, rostbeständiges Öl oder Öl für die Nähmaschine). Es ist wichtig, Öl in dem Räder oder Achsensystem gelegt zu werden.
7. Falls das Bremspedal steif / schwergängig ist, sollten Sie das Bremspedal gründlich mit sauberem Wasser abspülen und anschließend schmieren.
8. Wenn Sie Ihren Kinderwagen am Strand oder an staubigen / sandigen Orten verwenden, sollten Sie ihn nach dem Einsatz gründlich reinigen, um Bremsmechanismen sowie Radbefestigung von Sand und Salz zu befreien.

¡Felicidades por formar parte de la familia Joie! Estamos encantados de formar parte del viaje con su pequeño. Cuando utiliza Joie MUZE™, hace uso de una silla de paseo de alta calidad, completamente certificada, aprobada por estándares europeos de seguridad EN 1888-1:2018. Este producto es adecuado para niños con un peso menor a 15 kg (aproximadamente 0-36 meses). Por favor, lea detenidamente este manual de instrucciones y siga cada paso para garantizar el uso adecuado y la mayor protección para su hijo.

¡¡IMPORTANTE!!: CONSÉRVELO PARA FUTURAS CONSULTAS

Para información sobre la garantía, por favor visite nuestra web joiebaby.com

Contenido

Imágenes	1-7
Advertencias	35
Montaje de la silla de paseo	37
Abrir la silla de paseo	37
Montaje de las ruedas delanteras	37
Montaje de las ruedas traseras	37
Funcionamiento de la silla de paseo	37
Regulación del reclinado del respaldo	37
Uso del cinturón	37
Uso de los arneses para hombros y cuerpo	38
Regulación del reposapiés	38
Uso del bloqueo de las ruedas delanteras	38
Uso del freno	38
Uso de la capota	38
Pliegue de la silla de paseo	38
Uso de las correas para transporte	39
Uso de los accesorios	39
Cuidado y mantenimiento	40

Urgencia

En caso de emergencia o accidente, es fundamental buscar de inmediato atención de primeros auxilios y tratamiento médico para su hijo.

Información del producto

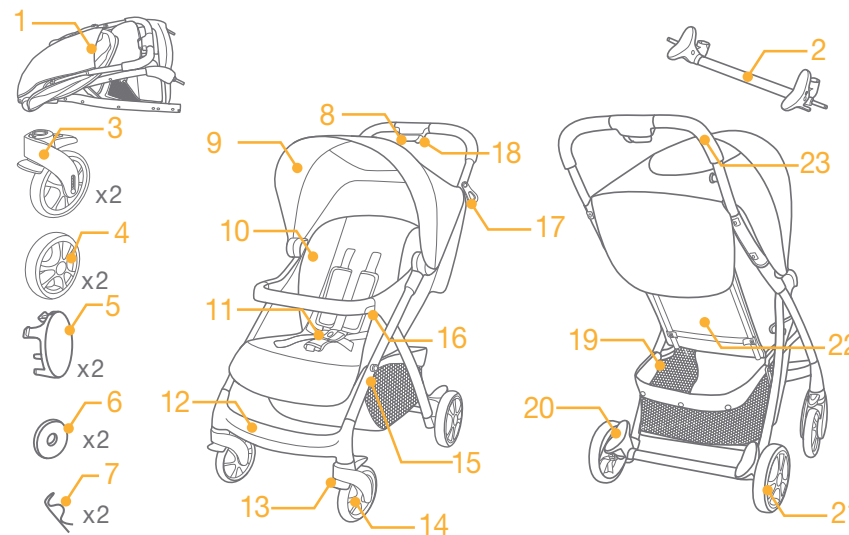
Lea todas las instrucciones de este manual antes de utilizar el producto. Si tiene alguna otra duda, consulte directamente con el vendedor del mismo. Algunos componentes pueden variar según el modelo.

Producto	Silla de paseo
Adecuado para	Niños con un peso menor a 15 kg (desde el nacimiento hasta 36 meses)
Materiales	Plástico, metal, material textil
Número	Patente pendiente
Fabricado en	China
Nombre de la marca	Joie™
Página web	www.joiebaby.com
Productor	Allison Baby UK Ltd

Lista componentes

Antes de montar la silla de paseo, asegúrese de que tiene todos los componentes disponibles. Si falta alguno, contacte con el vendedor. No necesita herramientas para el montaje.

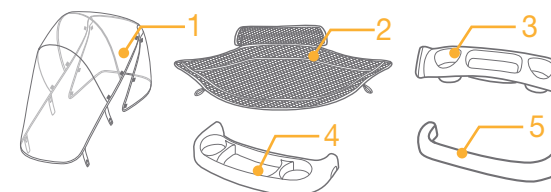
- | | | | |
|------------------------|-----------------------------------|--|------------------------------|
| 1 Chasis | plegar la silla con una sola mano | 14 Rueda delantera | 19 Cesta para almacenamiento |
| 2 Eje posterior | 9 Capota | 15 Botón de seguridad de cierre | 20 Palanca freno |
| 3 Rueda delantera (x2) | 10 Protector lateral | 16 Cierre barra apoyabrazos | 21 Rueda trasera |
| 4 Rueda trasera (x2) | 11 Arnés | 17 Seguro cierre silla | 22 Dispositivo de reclinado |
| 5 Tapa (x2) | 12 Reposapiés | 18 Botón secundario para plegar la silla | 23 Manillar |
| 6 Arandela (x2) | 13 Bloqueo de rueda delantera | | |
| 7 Clavija (x2) | | | |
| 8 Botón principal para | | | |



Accesorios

(es posible que no se incluyan con la compra)

- | |
|----------------------|
| 1 Plástico de lluvia |
| 2 Mosquitero |
| 3 Bandeja padres |
| 4 Bandeja niño |
| 5 Barra apoyabrazos |



Advertencias

- ! ATENCIÓN Utilice siempre la combinación de la correa de la entrepierna con la de la cintura. También se deben utilizar los arneses de hombro.
- ! ATENCIÓN Asegúrese de que todos los dispositivos de bloqueo están instalados antes de usarla.
- ! ATENCIÓN Para evitar lesiones asegúrese de que el niño no está cerca durante el plegado y desplegado de la silla.
- ! ATENCIÓN no permita que su hijo juegue con este producto, ESTE PRODUCTO NO ES UN JUGUETE.
- ! El producto debe ser montado solo por adultos.
- ! Usar la silla con un niño que pese más de 15 Kg. puede causar daños a la misma.
- ! Para prevenir situaciones de inestabilidad, no ponga más de 4,5 kg en la cesta de almacenamiento.
- ! NUNCA deje al niño sin vigilancia cuando esté en la silla de paseo.
- ! Utilice la silla de paseo para un niño. No ponga bolsos, bolsas de compra, paquetes o accesorios en el manillar o en la capota.
- ! Sobrecargar, plegar incorrectamente o utilizar componentes de otros fabricantes puede causar el deterioro de la silla.
- ! Antes de utilizar el producto, lea todas las instrucciones de este manual. Guarde el manual de instrucciones para ser utilizado posteriormente. El incumplimiento de estas advertencias e instrucciones puede llevar a lesiones graves o mortales.
- ! Cinturones de seguridad y sistemas de retención infantil deben ser usados correctamente.
- ! Los arneses de sujeción deben ser usados correctamente.
- ! Utilice siempre el arnés de sujeción para prevenir daños graves que pueden resultar tras las caídas o resbalones.
- ! Cuando ajuste la silla de paseo, asegúrese de que las partes móviles no estén cerca del cuerpo del niño.
- ! Si no se usa correctamente el arnés, los niños pueden resbalar por las aberturas para las piernas y asfixiarse
- ! Nunca utilice la silla en escaleras o escaleras mecánicas.
- ! Mantenga una distancia adecuada frente a objetos calientes, líquidos y electrónicos.
- ! En la bandeja para padres no ponga ningún objeto que pueda provocar daños al niño o deteriorar la silla de paseo.
- ! No permita que el niño esté de pie o con la cabeza en la parte frontal de la silla.
- ! No deje la silla en carreteras, pendientes o zonas peligrosas.

- ! Antes de utilizar la silla, asegúrese de que todos los mecanismos están en posición de bloqueo.
- ! Para evitar estrangulamientos, no ponga alrededor del cuello del niño cordones, cuerdas colgando de la silla o ate cordones a los juguetes.
- ! Para prevenir caídas, no cuelgue nada del manillar.
- ! No levante la silla de paseo mientras el niño esté dentro.
- ! No utilice la cesta de almacenamiento para transportar al niño.
- ! Para prevenir caídas, no deje nunca a los niños ir de pie en la silla.
- ! Para evitar que algún dedo quede atrapado, pliegue y despliegue cuidadosamente la silla.
- ! Asegúrese de que esta silla ha sido abierta o plegada completamente antes de permitir la presencia de niños cerca.
- ! Antes de utilizar la silla, para garantizar la seguridad del niño, asegúrese de que todas las partes han sido montadas y fijadas adecuadamente.
- ! Frene siempre la silla cuando no la utilice.
- ! No utilice la silla de paseo si está deteriorada o tiene algún defecto.
- ! Esta silla solo debe usarse para caminar. Este producto no está destinado a ser utilizado para correr.
- ! Antes de utilizar este producto, para evitar la asfixia, retire las bolsas de plástico y los materiales de embalaje.
- ! Este producto no está destinado para ser utilizado mientras se corre o se patina.
- ! El peso máximo recomendado para la bandeja de los padres es de 1,36 kg / 3lbs.
- ! Las sillas de paseo que están diseñadas para ser usadas desde el nacimiento deben ser utilizadas en la posición más reclinada para los recién nacidos.
- ! Para sillas de auto utilizadas junto con el chasis del producto: este vehículo no reemplaza una cuna o una cama. Si su hijo necesita dormir, debe ser debidamente colocado en una cama, capazo o cuna.
- ! Active los frenos del producto cuando lo detenga y cuando saque al niño de la silla.
- ! Es necesario extremar las precauciones si se usa en vehículos en movimiento y el niño no debe dejarse desatendido, incluso con los frenos activados.

Montaje de la silla de paseo

Lea todas las instrucciones de este manual antes de montar y utilizar este producto.

Abrir la silla de paseo

Si el producto está bloqueado como en la imagen ② - 1, retire el seguro de cierre de la silla ② - 2 del botón de seguridad de cierre ② - 3, y después levante la palanca para abrir la silla. La silla estará completamente abierta cuando escuche un clic. ②

! Antes de continuar, verifique la apertura completa de la silla.

Montaje de las ruedas delanteras

Ponga las ruedas delanteras. Verifique que las ruedas están puestas de una forma segura tirando de ellas. ③

Las ruedas frontales pueden quitarse presionando los botones de desbloqueo. ④

Montaje de las ruedas traseras

Ponga las ruedas traseras siguiendo estos pasos:

1. Antes de instalar las ruedas traseras, retire las dos tapas del eje posterior. ⑤ - 1
2. Coloque el eje posterior en las patas de la parte de atrás ⑤. Verifique su correcta instalación tirando de él.
3. Ponga la rueda y la arandela de atrás en un extremo del eje posterior. ⑥
4. Para poner la rueda y la arandela en el eje, presione la parte lisa de la clavija en el orificio del eje ⑦. La clavija montada se presenta como en la imagen ⑧.
! La parte curva de la clavija debe ajustarse al exterior del eje.
! Asegúrese de que la arandela está entre la clavija y la rueda.
5. Alinee las lengüetas de la tapa con los orificios de las ruedas, encaje la tapa de la rueda para cubrir la arandela y la clavija. ⑨

Las ruedas traseras montadas completamente se muestran en la ⑩.

Funcionamiento de la silla de paseo

Ajuste del reclinado

Hay 4 posiciones de reclinado del respaldo.

Para reclinar el respaldo, presione el asa de reclinado de la parte posterior del asiento ⑪, y tire del respaldo hacia abajo. ⑫ Para elevar el respaldo, empuje hacia arriba.

! Asegúrese de que el reclinado es el adecuado.

Uso del cinturón

Desabrochar el cinturón

Presione el botón central para desabrochar el cinturón. ⑬

Bloqueo del cinturón

Acople las correas horizontales del arnés para el cuerpo a las correas del arnés para el hombro ⑭ - 1, e introdúzcalas en el cinturón central hasta que escuche un clic. ⑭ - 2

El cinturón queda completamente bloqueado cuando se oye un clic. ⑭ - 3

! Utilice siempre los arneses para prevenir daños graves que puedan resultar como consecuencia de las caídas y resbalones.

! Asegúrese de que el niño está en una posición cómoda. El espacio entre el niño y los arneses para hombro debe ser aproximadamente igual al grosor del canto de una mano.

! No cruce las correas del arnés para los hombros. Esto puede causar presión en el cuello del niño.

Uso del arnés para hombros y cuerpo

! Para proteger al niño de caídas, después de colocarlo en la silla, verifique que los arneses para hombros y cuerpo están situados a la altura y longitud adecuada.

⑮ - 1 Ancla A para el arnés de hombro

⑮ - 2 Ancla B para el arnés de hombro

⑮ - 3 Dispositivo de regulación

Para los niños grandes, utilice el ancla A para el arnés de hombro y los espacios superiores para los hombros.

Para los niños pequeños, utilice el ancla B para el arnés de hombro y los espacios inferiores para los hombros.

Utilice el ancla para los arneses de hombro en los espacios adecuados a la altura de los hombros del niño. ⑯

Utilice el dispositivo de regulación para modificar la longitud de los arneses. ⑰ - 1

Presione el botón ⑰ - 2, mientras tira el arnés para cuerpo para alcanzar la longitud adecuada ⑰ - 3.

Regulación del reposapiés

El reposapiés tiene dos posiciones.

Para regular el reposapiés, presione los botones de regulación ubicados debajo del soporte ⑱ - 1 y gírelos de arriba abajo. ⑱ - 2

Uso del bloqueo de las ruedas delanteras

Levante el bloqueo de la dirección frontal para mantener la dirección de movimiento. ⑲

CONSEJO Se recomienda el uso del bloqueo de dirección en las superficies con desniveles.

Uso del freno

Para bloquear las ruedas, presione hacia atrás las palancas del freno como en la ⑳, PresionePresione hacia atrás la palanca del freno para liberar las ruedas.

CONSEJO Los frenos tienen que estar activados cuando coloque y quite al niño del producto.

CONSEJO Cuando la silla de paseo no se use, bloquee el freno.

CONSEJO Para asegurarse de que el freno está bien puesto, empuje suavemente hacia delante y hacia atrás la silla antes de soltar el manillar.

CONSEJO Limpie el sistema de frenos con regularidad para garantizar su perfecto funcionamiento. Consulte la sección de cuidado y mantenimiento.

Uso de la capota

Para abrir la capota, empuje hacia delante. ㉑

Para plegar la capota, empújela hacia atrás. ㉒

Plegado de la silla de paseo

Presione el botón secundario para plegar la silla ㉓ - 1 y apriete el botón principal del manillar para plegar la silla con una sola mano ㉓ - 2. Para el plegado, empuje la silla hacia delante. Bloquee la silla con el seguro de

cierre encajándolo en el botón de seguridad de cierre **24** - 1. La silla de paseo está completamente plegada y bloqueada. **24**

Uso de la correa de transporte

Agarre firmemente la correa de transporte para llevar más cómodamente la silla de paseo. **25**

Uso de los accesorios

- 26** - 1 Plástico de lluvia
- 26** - 2 Mosquitero
- 26** - 3 Bandeja para los padres
- 26** - 4 Bandeja para el niño
- 26** - 5 Barra apoyabrazos

Los accesorios pueden ser vendidos por separado o pueden no estar disponibles dependiendo de la región.

Uso con la silla de seguridad Joie

Cuando utilice esta silla con la silla infantil Juva de Joie siga estas instrucciones

- ! Si tiene dudas acerca de cómo utilizar la silla de seguridad consulte su propio manual.
- ! No pliegue la silla con la silla infantil de seguridad instalada.

Uso del plástico de lluvia

Para armar el cobertor de lluvia, colóquelo sobre el coche, y luego ajuste los 10 pares de ganchos y ajuste el protector **27**

- ! Antes de usar el plástico de lluvia, asegúrese que el respaldo ha sido ajustado a la posición más reclinada posible y que la silla de automóvil está bien sujeta en la silla de paseo.
- ! Después de ajustar el plástico de lluvia, ponga la bandeja para los padres en el manillar.
- ! Verifique siempre la ventilación cuando use el plástico de lluvia
- ! Limpie y seque el plástico de lluvia antes de guardarlo.
- ! Si el plástico de lluvia está encima de la silla, retírelo para prevenir rupturas y daños.
- ! Si hace calor, no siente al niño en la silla con el plástico de lluvia.
- ! Cuando use la silla de paseo en la playa, después debe limpiar la silla para remover la arena y la sal de los mecanismos y de las ruedas.

Uso del mosquitero

Cubra la silla con el mosquitero. Siga los siguientes pasos para fijar el mosquitero.

1. Ponga la banda elástica en el gancho que está detrás del plástico. **28** - 1
2. Envuelva la parte inferior del reposapiés y después pegue el Velcro®. **28** - 2
3. Repita los mismos pasos para fijar el mosquitero en la otra parte.

El mosquitero montado se presenta como en **28**

Montaje de la bandeja para padres

Para montar la bandeja de los padres, colóquela sobre los soportes de ambos extremos del manillar. **29**

- ! No ponga objetos en la bandeja de los padres que puedan dañar al niño o deteriorar la silla.
- ! El peso máximo recomendado en la bandeja para padres es de 1,36kg/3lbs.

Use la bandeja para niños

Alinee el extremo de la bandeja para niños con la lengüeta de unión, después presione para encajarlo. **30** **32**

La bandeja para niños puede ser retirada por ambos lados.

Para abrir la bandeja giratoria para niños, pulse el botón de liberación de la bandeja **31** - 1, después empuje hacia arriba la bandeja. **31** - 2

Uso de la barra apoyabrazos

Alinee el final del apoyabrazos con la componente apropiada y después empuje para encajarlo. **33** **35**

El apoyabrazos puede levantarse tanto desde la derecha como desde la izquierda. Pulse el botón de liberación del apoyabrazos **34** - 1 y tire del apoyabrazos **34** - 2.

CONSEJO El apoyabrazos se abre para facilitar la colocación y retirada del niño.

Cuidado y mantenimiento

1. El tejido para la silla se puede retirar, lavar con agua fría y secar. No se puede utilizar lejía.
2. Para limpiar el chasis de la silla, utilice solo jabón para uso doméstico y agua caliente. Sin lejía o detergentes.
3. Periódicamente, revise la silla de paseo para comprobar el desgaste de los componentes, tornillos desatornillados, materiales rotos o deteriorados. Si es necesario, sustituya o repare los componentes.
4. La exposición excesiva al sol o calor puede llevar al deterioro de los componentes.
5. Si se moja, retire la funda y seque la silla completamente antes de guardarla.
6. Si las ruedas hacen ruido, utilice aceite lubricante (como por ejemplo, WD-40, aceite anti-corrosión para máquinas de coser). Es importante que el aceite llegue a todas las partes de la rueda-eje. **1**
7. Si el pedal del freno está rígido o duro para activarlo por completo, lave los residuos del sistema de frenos con agua limpia antes de la lubricación.
8. Cuando utilice su cochecito en la playa o en áreas con mucho polvo o arena, límpielo completamente después de usarlo para eliminar cualquier resto de arena y sal que haya podido quedar en los mecanismos de los frenos y en los ensamblajes de las ruedas.

PT Bem-vindo a Joie™

Parabéns por se tornar parte da família Joie! Estamos tão animado para fazer parte da sua jornada com seu pequeno. Ao viajar com o MUZE™ Joie, você está usando uma alta qualidade, carrinho de bebê totalmente certificadas, aprovadas para normas de segurança europeias EN 1888-1:2018. Este produto é adequado para uso em crianças com peso inferior a 15 kg (aproximadamente 0-36 meses). Por favor, leia atentamente este manual e seguir cada passo para garantir uma viagem confortável e melhor proteção para o seu filho.

! IMPORTANTE: CONSERVE-O PARA CONSULTAS FUTURAS - LEIA ATENTAMENTE

Visite-nos em joiebaby.com baixar manuais e ver os produtos Joie mais emocionante!

Para informações de garantia, visite nosso website em joiebaby.com

Índice

Figures	1-7
Avisos	43
Montagem do carrinho de bebê	45
Abrindo o carrinho	45
Montagem das rodas dianteiras	45
Montagem das rodas traseiras	45
Operação do carrinho	45
Ajuste o ângulo do descanso traseiro	45
Utilizando a fivela	45
Utilizando o cinto para os ombros e cintura	46
Ajuste do suporte para perna	46
Utilizando a trava giratória frontal	46
Utilizando o freio	46
Utilizando a capa	46
Dobrando o carrinho	47
Utilizando a alça de transporte	47
Utilização dos Acessórios	47
Cuidados e manutenção	48

Emergência

Em caso da emergência ou de acidente, é mais importante cuidar imediatamente de sua criança com primeiros socorros e tratamento médico.

Informações do Produto

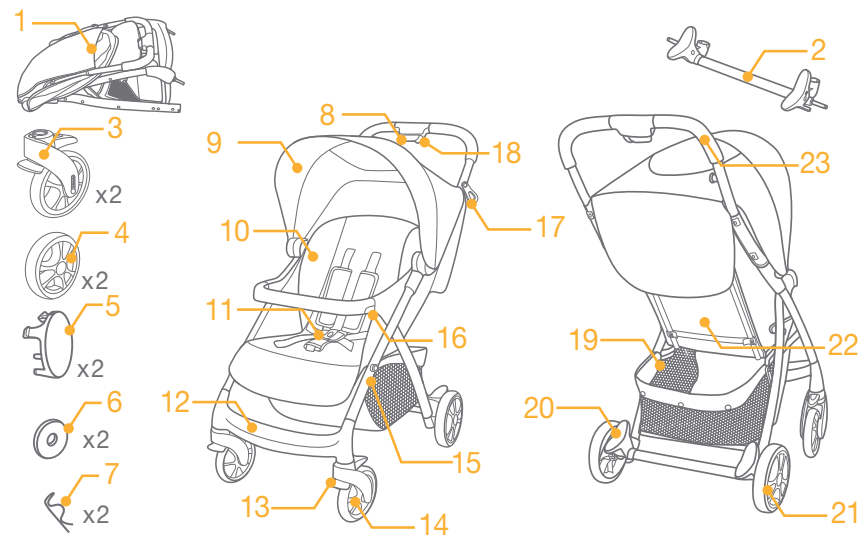
Leia todas as instruções neste manual antes de utilizar este produto. Em caso de dúvidas, consulte o varejista. Algumas características podem variar dependendo do modelo.

Product	Carrinho de Bebê
Apropriado para	Crianças pesando até 15kg (0 - 36 meses)
Materiais	plásticos, metal, tecidos
No. da patente.	patente pendente
Fabricado em	China
Marca	Joie™ by Infanti
Web site	www.joiebaby.com
Fabricante	Allison Baby UK Ltd

Lista de peças

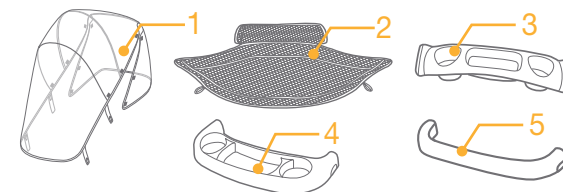
Certifique-se de que todas as peças estão disponíveis antes da montagem. Se qualquer parte faltar, contate, por favor, o distribuidor local. Nenhuma ferramenta é requerida para a montagem.

1 Corpo do carrinho	9 Capa	15 Montagem da Trava de Amazenamento	19 Cesta de Amazenamento
2 Conjunto de Eixo Traseiro	10 Almafada para Assento	16 Descanço de Braços	20 Alavanca de Freio
3 Roda Dianteira (x2)	11 Fivela	17 Trava de Amazenamento	21 Roda Traseira ajustador do Descanso Traseiro
4 Roda Traseira (x2)	12 Descanço para os pés	18 Trava Secundária	22 Alça
5 Cobertura(x2)	13 Trava Giratória		
6 Arruela(x2)	14 Roda Dianteira		
7 Pino(x2)			
8 Alça para uma mão			



Acessórios (Podem não estar incluídos na compra)

- 1 Capa de chuva
- 2 Mosquiteiro
- 3 Bandeja
- 4 Apoio de Braço
- 5 Descanso de Braço



AVISOS

- ! AVISO Sempre utilize a combinação da virilha com o cinto. Sugere-se que as alças para os ombros também sejam utilizadas.
- ! AVISO assegure-se de que todos os dispositivos de trava estejam acoplados antes de usar.
- ! AVISO Para evitar o dano, certifique-se que a abertura ou ao dobrar deste produto, a criança esteja mantida a distancia.
- ! AVISO Não permita sua criança brincar com este produto.
- ! Montagem por adulto requerida.
- ! O uso do carrinho com uma criança com mais de 15kg causará danos ao carrinho.
- ! Para impedir uma condição perigosa, não coloque mais do que 4.5kg na cesta do armazenamento.
- ! Nunca deixe a criança desacompanhada. Mantenha sempre a criança a vista quando no carrinho.
- ! Utilize o carrinho com a somente uma criança de cada vez. Nunca coloque bolsas, sacolas de compras, pacotes ou acessórios na alça ou na capa.
- ! Sobrecarga, Dobradura incorreta, ou utilização de componentes de outros fabricantes pode causar danos, quebra ou insegurança ao carrinho. Leia, por favor, o manual de instrução cuidadosamente.
- ! Leia, por favor, todas as instruções no manual antes de usar o produto. Por favor, guarde o manual de instrução para o uso futuro. A falha em seguir estes avisos e instruções pode resultar em ferimento sério ou morte.
- ! Cintos de segurança e sistema de retenção devem ser utilizados corretamente.
- ! Para evitar ferimento sério por queda ou deslizamento, sempre utilize o cinto de segurança.
- ! Certifique-se de que o corpo da sua criança está desobstruído das peças moveis ao ajustar o carrinho.
- ! A criança pode deslizar nas aberturas para os pés e ser estrangulada.
- ! Nunca utilize o carrinho em escadas ou em escadas rolantes.
- ! Mantenha longe de objetos em alta temperatura, líquidos e eletrônicos.
- ! Não coloque nenhum artigo que possa causar o dano ao bebê e ao carrinho na bandeja.
- ! Nunca permita que sua criança permaneça no carrinho ou sente-se no carrinho com a cabeça para a parte dianteira do carrinho.
- ! Nunca coloque o carrinho em estradas, inclinações ou áreas de risco.
- ! Certifique-se de que todos os mecanismos estão fixos antes de usar o carrinho.
- ! Para evitar estrangulamento, não coloque artigos com uma corda em

torno da garganta da sua criança, suspenda cordas deste produto, ou coloque cordas em brinquedos.

- ! Para evitar tombos, não coloque qualquer coisa sobre a alça.
- ! Não levante o carrinho quando a criança estiver no mesmo.
- ! Não utilize a cesta do armazenamento como um portador da criança.
- ! Para evitar tombos, nunca permita à criança escalar o carrinho.
- ! Para evitar danos aos seus dedos, dobre e desdobre o carrinho com cuidado.
- ! Tenha certeza de que o carrinho esta inteiramente aberto ou dobrado antes de permitir à criança estar perto do carrinho.
- ! Para assegurar a segurança da sua criança, certifique-se, por favor, que todas as peças estão montadas e presas corretamente antes de utilizar o carrinho.
- ! Para evitar estrangulamento, certifique-se de que sua criança está desobstruída da capa.
- ! Sempre acione os freios ao estacionar o carrinho.
- ! Pare de usar seu carrinho se estiver danificado ou quebrado.
- ! Carrinho de bebê para ser utilizado somente na velocidade de caminhada. Este produto não é pretendido para o uso enquanto correndo.
- ! Para evitar sufocamento, remova o saco plástico e os materiais de empacotamento antes de usar este produto. O saco plástico e os materiais empacotamento devem então ser mantidos longe dos bebês e das crianças.
- ! Este produto não é apropriado para corrida ou patinação.
- ! Nunca se utilice en posiciones reclinable a menos que el fabricante proporcione las instrucciones especificas para su uso en esa posición.
- ! Nunca deixe qualquer artigo no carrinho, eles pode causar instabilidade.
- ! O peso máximo recomendado da bandeja é de 1.36kg/3lbs
- ! O carrinho foi projetado ser usado à partir do nascimento, recomenda-se o uso da posição a mais reclinada para bebês recém-nascidos.
- ! Para os assentos de carro usados conjuntamente com um chassi, este carrinho não substitui um berço ou uma cama. Se sua criança necessitar dormir, ela deve ser colocada em um carrinho, berço, ou cama apropriados.
- ! São necessários cuidados adicionais se for utilizado em veículos em movimento e a criança não deve ficar sem supervisão, mesmo com os travões acionados.

Montagem do Carrinho

Leia, por favor, todas as instruções neste manual antes de montar e de usar este produto.

Abrindo o carrinho

se o carrinho de criança estiver travado como ② - 1, por favor, separe a trava de armazenamento ② - 2 da montagem do armazenamento ② - 3, e levantar então a alça para abrir o carrinho. Um som do clique significa que o carrinho está aberto completamente. ②

! Verifique que o carrinho está completamente aberto antes de continuar.

Montagem das rodas dianteiras

Monte as rodas dianteiras nas pernas dianteiras. Certifique-se de que as rodas estão unidas firmemente puxando nos conjuntos de rodas. ③

As rodas dianteiras podem ser desmontadas puxando as alavancas de liberação traseiras. ④

Montagem das rodas traseiras

Monte as rodas traseiras seguindo estas etapas.

1. Remova e descarte os dois tampões de extremidade no eixo traseiro antes de montar as rodas traseiras. ⑤ - 1
2. Monte o conjunto do eixo traseiro às pernas traseiras ⑤. Certifique-se de que o conjunto do eixo traseiro esteja unido firmemente puxando no conjunto do eixo traseiro.
3. Coloque a roda e a arruela traseiras em um lado do eixo traseiro. ⑥
4. Para fixar a roda e a arruela ao eixo, empurre o lado reto do pino através do furo no eixo ⑦. O pino montado é mostrado como ⑧.
! O lado curvado do pino deve curvar-se em torno da parte externa do eixo.
! Certifique-se que a arruela está entre o pino e a roda.
5. Alinhe as abas no tampão com os furos na roda, encaixe o tampão na roda para cobrir a arruela e o pino. ⑨

As rodas traseiras completamente montadas são mostradas como ⑩.

Operação do carrinho

Ajuste de recline

Recline do encosto

Há 4 posições para o encosto.

Para reclinar o encosto do carrinho, pressione a alça de recline sobre a parte de trás do assento ⑪, puxe o encosto para baixo e coloque-o na posição desejada. ⑫ Para levantar o encosto, empurre-o para cima.

! Verifique se o recline está configurado corretamente para o uso.

Utilizando a fivela

Libere a fivela

Pressione o botão central para liberar a fivela. ⑬

Trave a fivela

Encaixe a fivela do cinto para cintura com a fivela dos cintos para os ombros ⑭ - 1, e clique na fivela central.

⑭ - 2 Um som do clique significa que a fivela está travada completamente. ⑭ - 3

! Para evitar ferimento sério por queda ou deslizamento, fixe sempre sua criança com o cinto.

! Certificam-se que sua criança está fixa confortavelmente. O espaço entre a criança e o cinto dos ombros é aproximadamente da espessura de uma mão.

! Não cruze os cintos dos ombros. Isto causará pressão na garganta da criança.

Utilizando cintos para os ombros e cintura

! A fim proteger sua criança de queda, depois que sua criança é colocada no assento, verifique se os cintos para os ombros e cintura estão na altura e no comprimento apropriados.

⑮ - 1 Esteio do cinto para os ombros A

⑮ - 2 Shoulder harness anchor B

⑮ - 3 Ajustador correção

Para crianças maiores, utilize o esteio A do cinto para os ombros e os entalhes para os ombros mais elevados.

Para crianças menores, utilize o esteio A do cinto para os ombros e os entalhes para os ombros mais baixos.

Utilize um ou outro esteio do cinto para os ombros nos entalhes que estiverem o mais próximo à altura dos ombros da criança. ⑯

Use o ajustador correção para alterar o comprimento do cinto. ⑰ - 1

Pressione o botão ⑰ - 2, enquanto pux o cinto da cintura para o comprimento apropriado ⑰ - 3.

Ajuste o descanço para as pernas

O descanço para as pernas possui 2 posições.

para ajustar o descanço para as pernas, pressione os botões abaixo do descanço para as pernas ⑱ - 1 e gire o descanço para as pernas para baixo ou para cima. ⑱ - 2

Utilizando a Trava Giratória Frontal

Puxe para cima a Trava Giratória Frontal para manter o sentido do movimento. ⑲

DICA Recomenda-se utilizar a Trava Giratória Frontal em superfícies desiguais.

Utilizando o Freio

Para travar as rodas, pise para trás em qualquer uma das alavancas de freio como ⑳, Pise para frente nas alavancas de freio para liberar as rodas.

DICA O freio deve ser acionado ao colocar e ao remover crianças.

DICA Sempre ative o freio quando o carrinho estiver parado.

DICA Para assegurar-se de que as rodas estejam com o freio acionado, tente empurrar levemente o carrinho para frente e para trás antes de liberar a alça.

DICA Limpe o sistema de travagem regularmente para garantir o seu total funcionamento. Consulte a secção de cuidado e manutenção.

Utilizando a capa

Para abrir a capa, puxe a capa para a frente. ㉑

Para dobrar a capa, puxe para cima os esticadores em ambos os lados e empurre a capa para trás. ㉒

Dobrando o Carrinho

Empurre a trava secundária 23 - 1 e aperte a alça de dobrar 23 - 2. Empurre o carrinho para a frente para dobrar Trave o carrinho colocando a trava de armazenamento na montagem de armazenamento 24 - 1. O carrinho está dobrado e travado completamente. 24

Utilizando a Cinta de Transporte

Agarre firmemente a cinta de transporte para o transporte fácil. 25

Utilização dos Acessórios

26 - 1 Capa de chuva 26 - 2 Musquiteiro 26 - 3 Bandeja
26 - 4 Apoio de Braço 26 - 5 Descanso de Braço

Accessories may be sold separately or may not be available depending on region.

Utilização cadeira de carro Joie

Á utilização junto com a cadeira de carro Joie juva consulte as instruções de baixo.

- ! Se você tiver qualquer problema sobre como usar o dispositivo de retenção infantil, consulte por favor seus próprios manuais de instrução.
- ! Não dobre o carrinho á afixação da cadeira de carro.

A utilização da Capa de Chuva

Para motar a capa de chuva, coloque-a sobre o carrinho e fixe os 10 pares de ganchos, laços e de ilhós na capa de chuva. 27

- ! Antes de usar a capa de chuva, certifique-se que o encosto foi ajustado para a posição mais baixa e que o assento de carro foi fixado.
- ! Depois da montagem da capa de chuva, remonte a bandeja de pai na alça.
- ! Ao uso da capa de chuva, verifique sempre a ventilação.
- ! Quando não for usada, verifique se a capa de chuva foi limpa e seca antes de dobrar.
- ! Se a capa de chuva esteja sobre o carrinho, remova-a sempre para evitar a deterioração ou rasgar.
- ! Não coloque a criança no carrinho com a capa de chuva se o tempo estiver quente.
- ! Se estiver usando o carrinho para a praia, limpá-lo completamente após o uso para remover a areia e o sal sobre os mecanismos e sobre os dispositivos das rodas.

Utilização do Musquiteiro

Cubra o carrinho com o musquiteiro. Siga os passos abaixo para fixar o musquiteiro.

1. Prenda a banda elástica do gancho de trás do plástico. 28 - 1
2. Envolve a borda de baixo ao suporte para pés e após fixe o velcro Velcro®. 28 - 2
3. Repita os passos acima para fixar o musquiteiro no lado oposto.

O musquiteiro montado olhe como 28.

Montagem da bandeja

Para montar a bandeja, una a bandeja às montagens da bandeja em ambos os lados da alça. 29

! Não coloque nenhum artigo que possa causar o dano ao bebê e ao carrinho na bandeja.

! O peso máximo recomendado para a bandeja dos pais é de 1,36 kg/3lbs.

Use a bandeja rotatória do bebê

Alinhe a bandeja rotatória do bebê com o encaixe correspondente e em seguida empurre para baixo. 30 32

A bandeja rotatória do bebê pode ser posicionada para cima e lados direito e esquerdo.

Para abrir a bandeja rotatória do bebê, pressione o botão de liberação da bandeja 31 - 1, e, em seguida, puxe a bandeja rotatória do bebê. 31 - 2

Utilização do Descanso de Braços

Alinhe a extremidade do descanso com o componente correspondente, e abaixe-o para travar. 33 35

O descanso pode ser levantado em ambos os lados esquerdo e direito.

Pressione o botão de liberação do descanso 34 - 1 e então puxe-o para cima 34 - 2.

DICA O Descanso pode ser aberto para facilmente colocar e remover.

Cuidados e Manutenção

1. A almofada removível do assento deve ser lavada na água fria e seca à sombra. Não utilize alvejantes.
2. Para limpar o corpo do carrinho, utilize apenas sabão e água quente. Não utilize alvejante ou detergente.
3. De tempo em tempo verifique seu carrinho para parafusos soltos, partes danificadas, tecidos rasgados ou costurados. Substitua ou conserte as peças como necessário.
4. Excessiva exposição ao sol ou calor pode causar descoloração ou empenamento das peças
5. Se o carrinho estiver úmido, abra a capa e deixe secar completamente antes de armazenar.
6. Se as rodas rangerem , utilize um óleo leve (por exemplo., WD-40, ou óleo de máquina de costura). É importante colocar o óleo no conjunto do eixo e da roda. 1
7. Se o pedal do travão estiver rígido ou se for difícil de acionar, elimine todos os resíduos do sistema de travagem com água limpa antes de lubrificar.
8. Se utilizar o carrinho de bebé na praia ou em zonas com muita poeira/areia, limpe totalmente o carrinho de bebé após a sua utilização para remover a areia e o sal dos mecanismos de travagem e dos componentes das rodas.

PL Witamy w Joie™

Gratulujemy zostania członkiem rodziny Joie! Bardzo się cieszymy z możliwości wspólnego podróżowania z Państwem małym. Podczas podróży z Joie MUZE™, korzystają Państwo z wysokiej jakości, w pełni certyfikowanego wózka spacerowego, zatwierdzonego do użytkowania przez europejską normę bezpieczeństwa EN 1888-1:2018. Ten produkt nadaje się do stosowania dla dzieci o masie ciała nie przekraczającej 15 kg. Prosimy o uważne przeczytanie tego podręcznika i wykonanie każdej czynności, aby zapewnić wygodną jazdę i najlepsze zabezpieczenie dziecka.

WAŻNE - NALEŻY ZACHOWAĆ TEN PODRĘCZNIK DO PRZYSZŁEGO WYKORZYSTANIA.

Pod adresem Joiebaby.com, można pobrać podręczniki i poznać inne ekscytujące produkty Joie. W celu uzyskania informacji o gwarancji odwiedź naszą stronę internetową joiebaby.com

Spis treści

Rysunki	1-7
Ostrzeżenie	51
Montaż wózka	53
Otwieranie wózka	53
Montaż kół przednich	53
Montaż kół tylnych	53
Obsługa wózka	53
Regulacja nachylenia	53
Używanie sprzączki	53
Używanie uprząży na ramiona i pas	54
Regulacja podparcia łydek	54
Używanie blokady wychylenia do przodu	54
Używanie hamulca	54
Używanie daszka	54
Składanie wózka	55
Korzystanie z pasa transportowego	55
Używanie akcesoriów	55
Pielęgnacja i konserwacja	56

Sytuacja zagrożenia

W sytuacji zagrożenia lub po wypadku, najważniejsze jest, aby udzielić dziecku pierwszej pomocy i jak najszybciej poddać je leczeniu medycznemu.

Informacje o produkcie

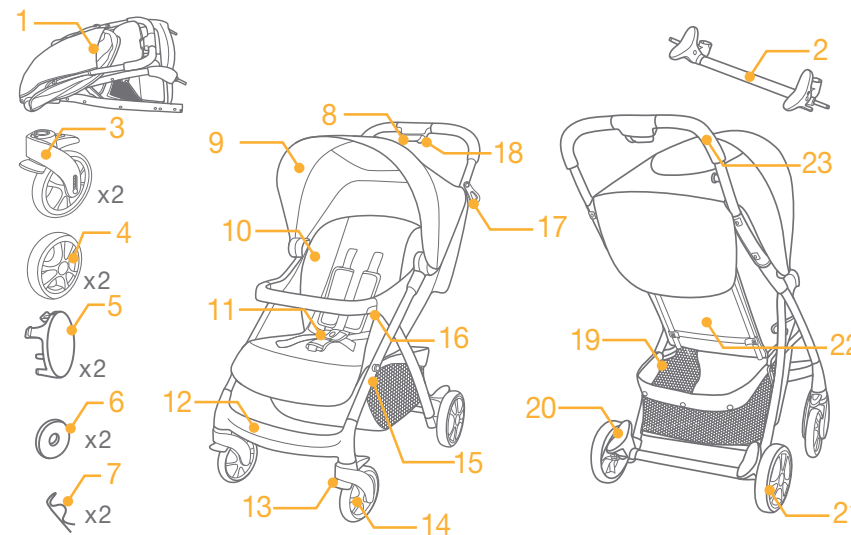
Przed rozpoczęciem używania produktu należy przeczytać wszystkie instrukcje z tego podręcznika. W przypadku dodatkowych pytań, należy się skontaktować bezpośrednio ze sprzedawcą. Niektóre funkcje mogą nie być dostępne we wszystkich modelach.

Produkt	Wózek spacerowy
Odpowiedni dla	Dzieci o masie ciała poniżej 15 kg (od urodzenia - do 36 miesiąca życia)
Materiały	Tworzywa sztuczne, metal, tkaniny
Патент №	Oczekujące patenty
Wyprodukowano w	Chiny
Nazwa handlowa	Joie
Strona internetowa	www.joiebaby.com
Producent	Allison Baby UK Ltd

Lista części

Przed montażem należy się upewnić, że nie brakuje części. Jeśli którejkolwiek części brakuje, skontaktuj się z lokalnym dystrybutorem. Do montażu nie są potrzebne żadne narzędzia.

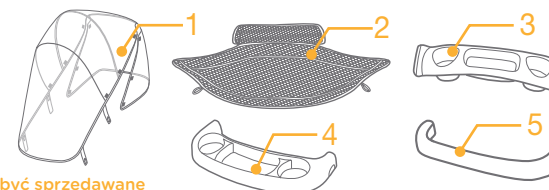
1 Rama wózka	8 Uchwyt składany jedną ręką	14 Koło przednie	19 Kosz
2 Zespół tylnej osi	9 Daszek	15 Mocowanie zaczepu kosza	20 Dźwignia hamulca
3 Koło przednie (x2)	10 Wykładzina siedziska	16 Zwalnianie ramienia	21 Koło tylne
4 Koło tylne (x2)	11 Sprzączka	17 Zaczep kosza	22 Oparcie
5 Nasadka (x2)	12 Oparcie na nogi	18 Dodatkowa blokada	23 Uchwyt
6 Podkładka (x2)			
7 Zawlecza (x2)			



Akcesoria

(Mogą być niedostarczone)

- 1 Osłona przeciwdeszczowa
- 2 Siatka zabezpieczenia przed komarami
- 3 Taca rodzica
- 4 Obrotowa taca dziecka
- 5 Wspornik ramion



Zależnie od kraju, akcesoria mogą być sprzedawane oddzielnie lub mogą być niedostępne.

OSTRZEŻENIE

- ! **WARNING** Z paska na krocze korzystać zawsze w połączeniu z paskiem na brzuch. Zaleca się równoczesne korzystanie z pasów na ramiona.
- ! **OSTRZEŻENIE** Upewnij się przed użyciem, czy wszystkie urządzenia blokujące są włączone.
- ! **OSTRZEŻENIE** Aby uniknąć obrażeń, upewnij się, czy twoje dziecko jest odsunięte kiedy rozkłada się lub składa niniejszy wyrób.
- ! **OSTRZEŻENIE** Nie pozwól dziecku bawić się niniejszym wyrobem.
- ! **AS**kładanie powinna wykonać osoba dorosła.
- ! Użytkowanie wózka z dzieckiem o masie powyżej 15 kg doprowadzi do uszkodzenia wózka.
- ! Aby zapobiec niebezpiecznej niestabilności, w koszu nie wolno umieszczać przedmiotów o wadze przekraczającej 4,5 kg.
- ! **OSTRZEŻENIE** Nigdy nie zostawiaj swojego dziecka bez opieki. Dziecko znajdujące się w wózku spacerowym powinno być stale widoczne.
- ! W wózku spacerowym może jednocześnie przebywać tylko jedno dziecko. Nie wolno umieszczać na uchwycie lub daszku torebek, toreb z zakupami, paczek lub elementów wyposażenia.
- ! Przeciążenie, nieprawidłowe złożenie lub korzystanie z elementów pochodzących od innych producentów, może spowodować uszkodzenie, zniszczenie lub utratę bezpieczeństwa wózka. Należy dokładnie przeczytać podręcznik z instrukcjami.
- ! Przed rozpoczęciem używania produktu, należy przeczytać wszystkie instrukcje z tego podręcznika. Podręcznik z instrukcjami należy zachować do przyszłego wykorzystania. Nieprzestrzeganie tych ostrzeżeń i zaleceń może spowodować poważne obrażenia lub śmierć.
- ! Pasy bezpieczeństwa i fotelik dla dziecka należy używać prawidłowo.
- ! W celu uniknięcia poważnych obrażeń spowodowanych wypadnięciem lub wysunięciem się dziecka, zawsze używaj pasa bezpieczeństwa.
- ! Podczas regulacji wózka należy się upewnić, że części ciała dziecka nie znajdują się w pobliżu elementów ruchomych.
- ! Jeżeli nie jest wykorzystywana uprząż, dziecko może wsunąć się do otworu na nogi i się udusić.
- ! Nigdy nie wolno korzystać z wózka na schodach lub schodach ruchomych.
- ! Należy unikać przedmiotów o wysokiej temperaturze, płynów i urządzeń elektronicznych.
- ! Na tacy rodzica nie wolno umieszczać żadnych przedmiotów, które mogą zranić dziecko lub uszkodzić wózek.
- ! Nigdy nie wolno dopuszczać do stawania dziecka na wózku lub siadania w wózku z głową skierowaną do przodu wózka.
- ! Nigdy nie wolno ustawiać wózka na ulicach, pochyłościach lub w miejscach niebezpiecznych.

- ! Przed użyciem wózka upewnić się, czy wszystkie mechanizmy są prawidłowo zablokowane.
- ! Aby uniknąć uduszenia, nie wolno umieszczać przedmiotów ze sznurkiem wokół szyi dziecka, podwieszać sznurka na produkcie lub przyczepiać sznurka do zabawek.
- ! Aby zapobiec wywróceniu, nie wolno umieszczać niczego na uchwycie. Dziecko należy zawsze wkładać i wyjmować z wózka.
- ! Nie wolno podnosić wózka ze znajdującym się w środku dzieckiem.
- ! Nie wolno przewozić dziecka w koszu.
- ! Aby zapobiec wywróceniu nie wolno zezwalać dziecku na wspinanie na wózek.
- ! Aby uniknąć zaciśnięcia palców, należy zachować ostrożność podczas składania i rozkładania wózka.
- ! Przed dopuszczeniem dziecka w pobliże wózka, należy się upewnić, że jest on całkowicie rozłożony lub złożony.
- ! W celu zapewnienia bezpieczeństwa dziecka, przed użyciem wózka upewnij się, że wszystkie części są zamontowane i przymocowane prawidłowo.
- ! Przed użyciem należy sprawdzić, czy jest prawidłowo zamocowane urządzenie zakładania fotelika samochodowego.
- ! Aby uniknąć uduszenia, należy się upewnić, że dziecko nie jest przykryte daszkiem.
- ! Podczas parkowania wózka należy zawsze uruchomić hamulec.
- ! Należy zaprzestać korzystania z wózka, jeżeli jest on uszkodzony lub zepsuty.
- ! Z wózka można korzystać tylko z prędkości spacerową. Produkt nie jest przeznaczony do stosowania podczas joggingu.
- ! Aby uniknąć uduszenia, przed użyciem tego produktu należy usunąć plastikowy worek i materiały pakujące. Plastikowy worek i materiały pakujące należy trzymać z dala od niemowląt i dzieci.
- ! **OSTRZEŻENIE** Niniejszy wyrób nie jest odpowiedni do biegania ani jazdy na rolkach.
- ! Maksymalna, zalecana masa obciążenia na tacy rodzica to 1,36kg/3 funty.
- ! W przypadku najbardziej odchylnego położenia, dla noworodków zalecane jest stosowanie nosidełka przeznaczonego do stosowania od urodzenia.
- ! Podczas wkładania lub wyjmowania dziecka powinien zostać zablokowany hamulec.
- ! W przypadku fotelików samochodowych używanych w połączeniu z podstawą, pojazd nie zastępuje łóżeczka dzieciennego ani łóżka. Jeżeli dziecko chce spać, powinno zostać umieszczone w odpowiednim wózku dzieciennym, łóżeczku dziecięcym lub łóżku.
- ! Dodatkowa uwaga potrzebna jest w przypadku użytkowania w poruszającym się pojeździe, a dziecko nie może zostać pozostawione bez nadzoru, nawet przy uruchomianych hamulcach.

Montaż wózka

Przed zmontowaniem i rozpoczęciem używania produktu, należy przeczytać wszystkie instrukcje z tego podręcznika.

Otwieranie wózka

Jeśli wózek jest zablokowany, jak na ilustracji **2** - 1, należy odczepić zaczep kosza **2** - 2 od mocowania kosza **2** - 3 a następnie unieść uchwyt, aby otworzyć wózek. Kliknięcie oznacza, że wózek jest całkowicie rozłożony. **2**

! Przed kontynuowaniem należy się upewnić, że wózek jest całkowicie rozłożony.

Montaż kół przednich

Zamocuj przednie koła do przednich nóg. Sprawdź, czy koła są dobrze zamocowane, pociągając elementy montażowe koła. **3**

Przednie koła można zdemontować, odciągając do tyłu przyciski zwalniania. **4**

Montaż kół tylnych

Tylne koła należy zamontować, wykonując następujące czynności.

1. Przed montażem kół tylnych, zdejmij i usuń dwie nasadki na osi tylnej. **5** - 1
2. Zamocuj zespół osi tylnej do nóg tylnych **5**. Sprawdź pociągając, czy jest pewnie zamocowany zespół osi tylnej.
3. Umieść tylne koło i podkładkę z jednej strony osi tylnej. **6**
4. Aby zamocować do osi koło i podkładkę, przepchnij prostą część zawleczeni przez otwór na osi. **7**
Założona zawleczenka jest pokazana na ilustracji : **8**
! Krzywa strona zawleczeni musi zachodzić na zewnętrzną stronę osi.
! Upewnij się, że pomiędzy zawleczenką a kołem znajduje się podkładka.
5. Wyrównaj występy na nasadce z otworami na kole, zaczep nasadkę na koło. **9** aby zakryć podkładkę i zawleczenkę

Całkowicie złożone koła tylne, są pokazane na ilustracji . **10**

Obsługa wózka

Regulacja nachylenia

Dostępne są 4 kąty nachylenia oparcia.

W celu ułożenia oparcia, ściśnij uchwyt ułożenia z tyłu siedzenia **11** , popchnij oparcie w dół. **12** Pchnij oparcie w górę, aby je podnieść.

! Upewnij się, że kąt pochylenia jest ustawiony prawidłowo dla potrzeb użytkownika.

Używanie sprzączki

Zwalnianie sprzączki

Naciśnij środkowy przycisk, aby zwolnić sprzączkę. **13**

Blokowanie sprzączki

Dopasuj sprzączkę pasa na brzuch do sprzączki pasa na ramiona **14** - 1 i wsuń do sprzączki centralnej. **14** - 2

Kliknięcie oznacza, że sprzączka została całkowicie zatrzaśnięta. **14** - 3

! W celu uniknięcia poważnych obrażeń spowodowanych wypadnięciem lub wysunięciem się dziecka, należy je zawsze zabezpieczyć uprzężą bezpieczeństwa.

! Należy się upewnić, że dziecko jest dobrze zabezpieczone. Odległość między dzieckiem i uprzężą na ramiona jest w przybliżeniu równa grubości jednej dłoni.

! Nie wolno krzyżować pasów na ramiona. Może to spowodować nacisk na szyję dziecka.

Korzystanie z uprząży na ramiona i pas

! W celu ochrony dziecka przed wypadnięciem, kiedy dziecko zostanie umieszczone na siedzeniu, należy sprawdzić, czy uprząż na ramiona i pas znajdują się na właściwej wysokości i czy mają prawidłową długość.

- 15** - 1 Kotwa A uprząży na ramiona
- 15** - 2 Kotwa B uprząży na ramiona
- 15** - 3 Regulator przesuwny

W przypadku większego dziecka należy używać kotwy A uprząży na ramiona i położonych wyżej szczelin pasów na ramiona. W przypadku mniejszego dziecka należy używać kotwy B uprząży na ramiona i położonych najwyżej szczelin pasów na ramiona.

Użyj obu kotw pasów na ramiona w szczelinach najbliższej wysokości ramion dziecka. **16**

Użyj regulatora przesuwnego do zmiany długości uprząży. **17** - 1

Naciśnij przycisk **17** - 2, wyciągając jednocześnie uprząż na pas na prawidłową długość . **17** - 3.

Regulacja podparcia łydek

Podparcie łydek ma 2 pozycje.

W celu regulacji podparcia łydek, naciśnij przyciski regulacji pod oparciem łydek **18** - 1 , i obróć podparcie łydek w dół lub w górę. **18** - 2

Używanie blokady wychylenia do przodu

Pociągnij do góry blokadę wychylenia do przodu w cel utrzymania kierunku ruchu. **19**

Wskazówka Korzystanie z blokady wychylenia, jest zalecane na nierównych powierzchniach.

Używanie hamulca

Aby zablokować koła, naciśnij do tyłu każdą z dźwigni hamulca, jak na ilustracji . **20** naciśnij do przodu dźwignię hamulca, aby zwolnić koło.

Wskazówka Podczas wkładania lub wyjmowania dziecka hamulec powinien być zablokowany.

Wskazówka Regularnie czyść układ hamulcowy w celu zapewnienia jego pełnej funkcjonalności. Patrz punkt poświęcony pielęgnacji i konserwacji.

Wskazówka W celu upewnienia się, że hamulec jest całkowicie zablokowany delikatnie przesunąć wózek do tyłu i do przodu przed puszczeniem uchwytu.

Korzystanie z daszka

W celu otwarcia, pociągnij daszek do przodu. **21**

W celu złożenia, pchnij daszek do tyłu. **22**

Składanie wózka

Naciśnij blokadę wórną **23** - 1 i ściśnij uchwyt składania jedną ręką **23** - 2 Pchnij wózek do przodu w celu złożenia. Zablokuj wózek wkładając zaczep do mocowania kosza **24** - 1 Wózek jest całkowicie złożony i zablokowany. **24**

Używanie z pasa do przenoszenia

Chwyć pewnie pas do przenoszenia, aby ułatwić przenoszenie. **25**

Używanie akcesoriów

- 26 - 1 Osłona przeciwdeszczowa 26 - 2 Siatka zabezpieczenia przed komarami 26 - 3 Taca rodzica
26 - 4 Obrotowa taca dziecka 26 - 5 Osłona oparcia ramion

Zależnie od kraju, akcesoria mogą być sprzedawane oddzielnie lub mogą być niedostępne.

Używanie wózka z fotelikiem/nosidełkiem dla niemowląt

W przypadku używania wózka z fotelikiem samochodowym Joie Juva, należy zapoznać się z poniższymi wskazówkami.

- ! W przypadku jakiegokolwiek problemów dotyczących korzystania z fotelika dla dziecka, odwołaj się do jego instrukcji obsługi.
- ! Nie składaj wózka wraz z wpiętym do niego fotelikiem samochodowym.

Korzystanie z osłony przeciwdeszczowej

Aby zamontować osłonę przeciwdeszczową, umieść ją na wózku, następnie dopasuj 10 rzepy i zapnij je. 27

- ! Przed użyciem osłony przeciwdeszczowej, należy się upewnić, że oparcie zostało ustawione w najniższym położeniu, a fotelik samochodowy dla niemowlęcia został przypięty.
- ! Po założeniu osłony przeciwdeszczowej, należy założyć ponownie na uchwyt tacę rodzica.
- ! Podczas korzystania z osłony przeciwdeszczowej, należy zawsze pamiętać o sprawdzeniu wentylacji.
- ! Jeżeli osłona przeciwdeszczowa nie jest używana, przed złożeniem należy pamiętać o jej wyczyszczeniu i wysuszeniu.
- ! Jeżeli osłona przeciwdeszczowa znajduje się na wózku, należy ją zawsze zdejmować w taki sposób, aby zapobiec rozcięciu lub rozerwaniu.
- ! Nie wolno wkładać dziecka do wózka z założoną osłoną przeciwdeszczową, podczas wysokiej temperatury na zewnątrz.
- ! W przypadku korzystania z wózka na plaży, wózek po użyciu należy dokładnie oczyścić w celu usunięcia piasku i soli z mechanizmów oraz zespołów kółek.

Używanie siatki zabezpieczenia przed komarami

Przykryj wózek siatką zabezpieczenia przed komarami. Wykonaj wymienione poniżej czynności w celu zamocowania siatki zabezpieczenia przed komarami.

1. Załóż elastyczną taśmę, aby zaczepić z tyłu plastiku. 28 - 1
2. Zawieś dolną krawędź oparcia na nogi, a następnie zamocuj rzepami. 28 - 2
3. Powtórz powyższe czynności w celu zamocowania siatki po drugiej stronie. Założona zawleczka jest pokazana na ilustracji. 28

Używanie tacy rodzica

W celu montażu tacy rodzica, załóż tacę rodzica na elementy montażowe tacy rodzica, po obu stronach uchwytu. 29

- ! Na tacy rodzica nie wolno umieszczać żadnych przedmiotów, które mogą zranić dziecko lub uszkodzić wózek.
- ! Maksymalna, zalecana masa obciążenia na tacy rodzica to 1,36kg/3 funty.

Używanie obrotowej tacy dziecka

Dopasuj koniec obrotowej tacy dziecka do pasującego komponentu, a następnie naciśnij w celu połączenia. 30

Obrotową tacę dziecka można pociągnąć z lewej i z prawej strony. 32

Aby otworzyć obrotową tacę dziecka, naciśnij przycisk zwalniania obrotowej tacy dziecka 31 - 1 a następnie pociągnij obrotową tacę dziecka. 31 - 2

Korzystanie ze wspornika ramion

Wyrównaj koniec wspornika ramion z pasującym elementem i naciśnij w dół w celu połączenia. 33 35

Wspornik ramion można wyciągnąć do góry z lewej i prawej strony.

Aby otworzyć wspornik na ramiona, naciśnij przycisk zwalniania wspornika na ramiona 34 - 1, a następnie pociągnij wspornik na ramiona. 34 - 2

Wskazówka Wspornik ramion można otworzyć w celu ułatwienia wkładania lub wyjmowania dziecka.

Pielęgnacja i konserwacja

1. Wyjmovaną wkładkę siedzenia można myć w zimnej wodzie i suszyć przez powieszenie. Nie należy stosować środków wybielających.
2. W celu oczyszczenia ramy wózka, należy stosować jedynie zwykłe mydło i ciepłą wodę. Nie wolno stosować środków wybielających ani detergentów.
3. Od czasu do czasu należy sprawdzić, czy w wózku nie ma poluzowanych wkrętów, zużytych części, rozdartego materiału lub szwów. W razie potrzeby części należy naprawić lub wymienić.
4. Nadmierna ekspozycja na słońce lub ciepło, może spowodować pofałdowanie lub powyginanie części.
5. Jeżeli wózek ulegnie zamoczeniu, przed dalszym przechowywaniem należy otworzyć daszek i dokładnie go wysuszyć.
6. Jeżeli kółka skrzypią, należy użyć delikatnego oleju (np., aerozolu silikonowego, środka przeciwrzucowego, lub oleju do maszyn do szycia). Ważne jest, aby wprowadzić olej pomiędzy oś i koło. 1
7. Jeżeli pedał hamulca jest sztywny/trudny do pełnego zablokowania, najpierw należy wypłukać wszelkie zanieczyszczenia z układu hamulcowego, a następnie go nasmarować.
8. W przypadku korzystania z wózka na plaży lub w miejscach o dużym zapyleniu/zapiaszczeniu, dokładnie oczyścić wózek po użyciu, w celu usunięcia piasku i soli z mechanizmów hamulca oraz zespołów kół.

IT Benvenuti a Joie™

Complimenti per avete diventato parte della famiglia Joie! Siamo molto felici di partecipare al passeggio con il vostro bambino. Mentre passeggiate con Joie MUZE™ si utilizza un carello per bambini di alta qualità, completamente certificato e approvato dalle norme di sicurezza europee EN 1888-1:2018. Questo prodotto è adatto per l'uso per i bambini con un peso fino a 15 kg. Leggete attentamente questo manuale e seguite ogni passo per assicurare un passeggio confortevole e la migliore protezione per il vostro bambino.

IMPORTANTE - TENETE QUESTO MANUALE DI ISTRUZIONI PER UN RIFERIMENTO FUTURO.

Visitate il nostro sito joiebaby.com per scaricare il manuale e vedere più prodotti straordinari di Joie!

Per informazioni sulla garanzia, visitare il nostro sito internet all'indirizzo joiebaby.com

Contenuto

Figure	1-7
Avvertenze	59
Montaggio del carello	60
Aprire il carrello	60
Montaggio delle ruote anteriori	60
Montaggio delle ruote posteriori	61
Manovra del carello	61
Regolazione della pendenza	61
Utilizzo della fibbia	61
Utilizzo della imbracatura per spalla e vita	61
Regolazione del supporto per la gamba	62
Utilizzo blocco gancio anteriore	62
Utilizzo del freno	62
Utilizzo della tenda	62
Piego carello	62
Utilizzo nastro di supporto	63
Utilizzo degli accessori	63
Cura e manutenzione	64

Caso di emergenza

In caso di una emergenza o di un incidente, la cosa più importante è la cura del vostro bambino fornendo pronto soccorso o cure mediche immediate.

Informazioni sul prodotto

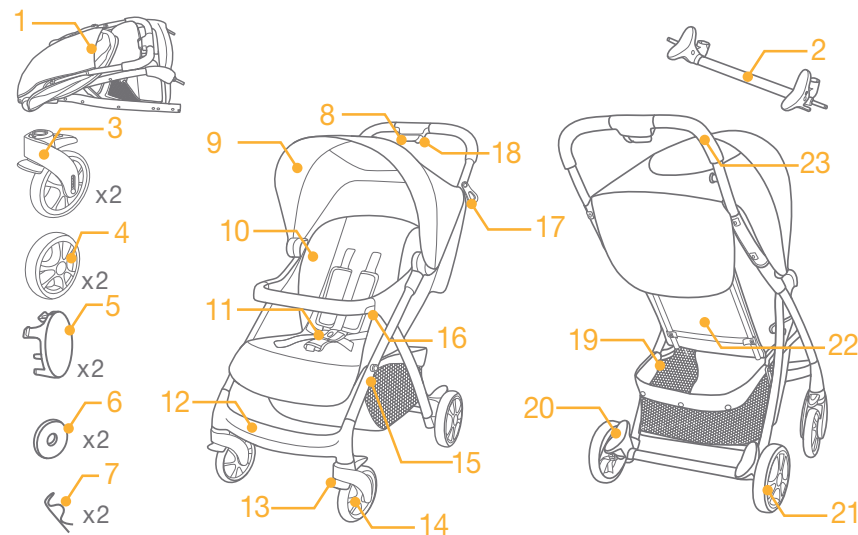
Leggete tutte le istruzioni di questo manuale prima di utilizzare il prodotto. Se avete domande, si prega di consultare il commerciante. Alcune caratteristiche possono variare secondo il modello.

Prodotto	Carello per bambini
Corrisponde per	Bambino con peso meno di 15 kg (dalla nascita - 36 mesi)
Materiali	Plastica, metallo, tessuti
No. brevetto	Brevetti in attesa
Prodotto in	China
Nome marca	Joie
Sito web	www.joiebaby.com
Fabbricante	Allison Baby UK Ltd

Lista parti componenti

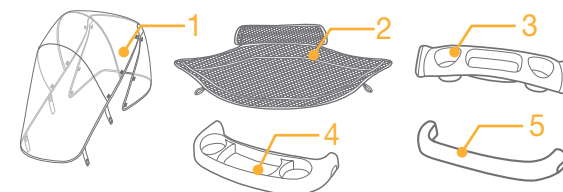
Assicuratevi che tutte le parti sono disponibili prima del montaggio. In caso di componenti mancanti contattare il commerciante locale. Senza bisogno di utensili per il montaggio.

1 Quadro carello	8 Manico piego	13 Blocco gancio con un mano	18 Bloccaggio secondario
2 Assale posteriore	9 Tenda	14 Ruota anteriore	19 Cestino di stoccaggio
3 Ruota anteriore (x2)	10 Cuscino per la sedia	15 Quadro di stoccaggio	20 Manico di freno
4 Ruota posteriore (x2)	11 Fibbia	16 Rilascio mano	21 Ruota posteriore
5 Coperchio (x2)	12 Supporto per le gambe	17 Supporto di stoccaggio	22 Schienale
6 Rondella (x2)			23 Manico
7 Chiodo (x2)			



Accessori (potrebbero o non essere inclusi)

- 1 Parapioggia
- 2 Zanzariera
- 3 Vassoio per genitori
- 4 Vassoio rotante per bambino
- 5 Vassoio rotante per bambino



AVVERTENZE

- ! **ATTENZIONE** Usate sempre la combinazione tra le piedi con con la cintura per vita. Si consiglia di utilizzare le bretelle.
- ! **ATTENZIONE** Prima di utilizzare assicuratevi che tutti i dispositivi di bloccaggio vengono azionati.
- ! **ATTENZIONE** Per evitare lesioni assicuratevi che tenete il bambino lontano quando aprite e piegate il prodotto.
- ! **ATTENZIONE** Non permettere al vostro bambino di giocare con il prodotto.
- ! È necessario che un adulto realizzi il montaggio.
- ! L'uso del passeggino con un bambino di peso superiore a 15 kg causerà danni al passeggino stesso.
- ! Per evitare una condizione pericolosa, instabile non mettere un peso maggiore di 4,5 kg nel cestino di stoccaggio.
- ! Non lasciate mai il bambino incustodito. Guardate sempre il bambino mentre è nel carello.
- ! Utilizzate il carello solo per un bambino. Mai depositare borse, sacchetti, pacchetti o accessori nel manico o la tenda.
- ! Il sovraccarico, lo piego incorretto, o l'utilizzo di componenti di altri produttori il carello può diventare danneggiato, deteriorato o non sicuro. Si prega di leggere attentamente il manuale di istruzioni.
- ! Vi preghiamo di leggere tutte le istruzioni riportate nel manuale prima di utilizzare questo prodotto. Vi preghiamo di conservare il manuale di istruzioni per un riferimento futuro. Se non seguite queste avvertenze e le istruzioni potrebbero risultare gravi lesioni o la morte.
- ! Le cinture di sicurezza del sistema di ritenuta devono essere utilizzati correttamente.
- ! Per evitare un grave infortunio causato da cadute o scivoli, utilizzate sempre la cintura di sicurezza.
- ! Assicuratevi che quando regolate il carello il corpo del vostro bambino è lontano dalle parti in movimento.
- ! Il bambino può scivolare nelle aperture per le gambe e potrebbe essere strangolato se non si utilizza le imbracature.
- ! Non utilizzate mai il carello sulle scale o scale mobili.
- ! Tenete il prodotto lontano da oggetti ad alta temperatura, liquidi o oggetti elettronici.
- ! Non mettete articoli che possono danneggiare il bambino nel vassoio per i genitori.
- ! Non permettere mai al vostro bambino di stare in piedi nel carello o essere collocato con la testa verso la parte anteriore del carello.
- ! Non lasciate mai il carro nelle strade, piste o aree pericolose.
- ! Assicuratevi che tutti i meccanismi sono impostati correttamente prima di usare il carello.
- ! Per evitare lo strangolamento, non individuare articoli con una cintura intorno al collo del vostro bambino, non appendete fili di questo prodotto o o allegate fili ai giocattoli.
- ! Non mettete nulla sul manico per evitare il ribaltamento. Sollevate sempre il bambino per metterlo e rimuoverlo dal carello.
- ! Non sollevate il carello con il bambino all'interno.

- ! Non utilizzate il cestino di stoccaggio per portare il bambino.
- ! Per evitare il ribaltamento, non permettete al bambino di cavalcare sul carello.
- ! Per evitare di schiacciarsi le dita, aprire e piegare il carello attentamente.
- ! Assicuratevi che il carello è completamente aperto o piegato prima di lasciare il bambino nelle sue vicinanze.
- ! Per la sicurezza del bambino, vi preghiamo assicuratevi che tutti i componenti vengono assemblati e fissati bene prima di usare il carello.
- ! Controllate se il dispositivo di attaccamento del seggiolino è collegato correttamente prima di utilizzarlo.
- ! Per evitare lo strangolamento, assicuratevi che è un notevole divario tra il bambino e la tenda.
- ! Applicare sempre i freni quando parcheggiate il carello.
- ! Non utilizzate mai il carello se è difetto o danneggiato.
- ! Il carello deve essere utilizzato ad una velocità di passeggiare. Questo prodotto non è destinato ad essere utilizzato per correre.
- ! Per evitare il soffocamento, prima di utilizzare questo prodotto, rimuovete i sacchetti di plastica e i materiali di imballaggio. I sacchetti di plastica e i materiali di imballaggio devono quindi essere tenuti lontano dai neonati e bambini.
- ! Questo prodotto non è adatto per l'uso mentre correte o camminate con i pattini.
- ! Il peso massimo consigliato per il vassoio per i genitori è di 1.36kg/3 libbra.
- ! Per il carello progettato per l'uso dalla nascita del bambino è raccomandata la disposizione del nuovo nato in una posizione inclinata.
- ! Il dispositivo di parcheggio deve essere attivato nel collocamento o il sollevamento del bambino.
- ! Per i seggiolini di auto utilizzati con un sostegno, questo veicolo non sostituisce una culla o letto. Se il vostro bambino ha bisogno di riposo, allora il bambino deve essere posto in una carrozzina, culla o letto correttamente.
- ! È necessario prestare la massima attenzione se viene utilizzato su veicoli in movimento e il bambino non deve essere lasciato incustodito, anche con i freni inseriti.

Il montaggio del carello

Leggete tutte le istruzioni di questo manuale prima di montare ed utilizzare questo prodotto.

Aprire il carello

Se il carello è bloccato come nella figura ② - 1, separati il vassoio di stoccaggio ② - 2 dal suo quadro ② - 3, e poi sollevate il manico per aprire il carello. Un cricchetto significa che il carello è ora completamente aperto. ②

! Assicuratevi che avete il carello completamente aperto prima di continuare.

Il montaggio delle ruote anteriori

Montate le ruote anteriori ai supporti anteriori. Controllate se le ruote sono collegate correttamente tirando dei sistemi delle ruote. ③

Le ruote anteriori possono essere smontati tirando indietro il pulsante di rilascio. ④

Il montaggio delle ruote posteriori

Montate le ruote posteriori seguendo i passi seguenti.

1. Rimuovete e rilasciate le due coperture del assale posteriore prima di montare le ruote posteriori. **5 - 1**
2. Assemblate il sistema dell'asse posteriore nei supporti posteriori **5**. Controllate se l'assale posteriore è correttamente collegato tirando del sistema asse posteriore.
3. Mettete la ruota posteriore e la rondella in una parte del asse posteriore. **6**
4. Per fissare la ruota e la rondella sul asse, spingete il lato destro del chiodo attraverso il foro dell'asse **7**. Il chiodo assemblato viene come nella figura. **8**

! La parte curva del chiodo deve piegarsi al di fuori del asse.

! Assicuratevi che la rondella si trova tra il chiodo e la ruota.

5. Allineate i fori del chiodo con i fori sulla ruota, pinzate il coperchio tra la ruota per coprire la rondella e il chiodo. **9**

Le ruote posteriori completamente assemblate sono simili alla figura. **10**

Utilizzo del carello

Regolazione della pendenza

Hai 4 angoli per lo schienale.

Per appoggiare lo schienale, stringere il manico di pendenza indietro la sedia **11**, tirate lo schienale verso la base. **12**

Per sollevare lo schienale, spingete verso l'alto.

! Assicuratevi che la pendenza e configurata correttamente prima di utilizzare

Utilizzo della fibbia

Disaccoppiamento della fibbia

Premete il pulsante centrale per disaccoppiare la fibbia. **13**

Blocco della fibbia

Regolate la cintura della fibbia per vita con la fibbia sulle spalle **14 - 1**, e premete nel centro della fibbia.

14 - 2 Un cricchetto significa che ora la fibbia è stato completamente bloccata. **14 - 3**

! Per evitare lesioni gravi da cadute o scivoli dal carrello, sempre collegate il bambino con la imbracatura.

! Assicuratevi di proteggere il bambino in modo confortevole. Lo spazio tra il bambino e la cintura per spalla è quanto di una palma di spessore.

! Non incrociare le cinture per la spalla. Questo causara pressione sul collo del bambino.

Utilizzo delle imbracature per la spalla e la vita

! Per proteggere il bambino di cadute dal carello, dopo che posizionate il bambino nel seggiolino, controllate se le imbracature per la spalla e la vita sono alla altezza e lunghezza appropriata.

15 - 1 Ancora A della imbracatura per la spalla

15 - 2 Ancora B della imbracatura per la spalla

15 - 3 Dispositivo di regolazione scivolante

Per un bambino più grande utilizzate l'ancora A della imbracatura per la spalla e i spazi per la spalla più alti.

Per un bambino più piccole, utilizzate l'ancora B della imbracatura per la spalla e i spazi per la spalla più bassi.

Utilizzate qualsiasi delle ancore della imbracatura per la spalla che è più vicino all'altezza della spalla del bambino. **16**

Utilizzate il dispositivo di regolazione scivolante per modificare la lunghezza della imbracatura. **17 - 1**

Premete il pulsante **17 - 2**, mentre fissate la imbracatura per la vita nella lunghezza appropriata. **17 - 3**

Regolazione del sostegno per la gamba

Il supporto per le gambe ha 2 posizioni.

Per regolare il sostegno per la gamba, premete i pulsanti di controllo di sotto **18 - 1** e rotate il sostegno per la gamba verso la basse o verso l'alto. **18 - 2**

Utilizzo del blocco del gancio anteriore

Tirate i dispositivi di bloccaggio del gancio anteriore verso l'alto per mantenere la direzione di movimento. **19**

Consiglio Si raccomanda utilizzare i dispositivi di bloccaggio del gancio anteriore su superfici irregolari.

Utilizzo del freno

Per bloccare le ruote, premete qualsiasi degli pedali di freno come viene mostrato nella figura **20**, sollevate il pedale per sbloccare le ruote.

Consiglio Il freno deve essere azionato quando si colloca o allava il bambini.

Consiglio Quando il carello e in posizione di stazionamento e necessario sempre di agire il freno.

Consiglio Per garantire che il freno sia completamente inserito, far oscillare delicatamente il passeggino avanti e indietro prima di rilasciare la maniglia.

Consiglio Pulire periodicamente l'impianto frenante per assicurarsi che sia completamente funzionante. Vedere la sezione assistenza e manutenzione.

Utilizzo della tenda

Per aprire la tenda, tiratela davanti. **21**

Per piegare la tenda, tiratela indietro. **22**

Piegare del carello

Premete il blocco secondario **23 - 1** e stringete il manico di piego con una mano **23 - 2**. Spingete il carello davanti per la piegatura. Bloccate il carello tra pieghettatura del blocco di stoccaggio nel supporto di stoccaggio **24 - 1**. Il carello e completamente bloccato e piegato. **24**

Utilizzo del nastro di supporto

Fissate il nastro di supporto per un facile trasporto. **25**

L'utilizzo degli accessori

26 - 1 Parapioggia **26** - 2 Zanzariera **26** - 3 Vassoio per genitori
26 - 4 Vassoio rotante per bambino **26** - 5 Vassoio rotante per bambino

Gli accessori possono essere commercializzati separatamente o è possibile di non essere disponibile a seconda della regione.

Utilizzo con il seggiolino per auto Joie

Nel utilizzo con il seggiolino per auto Joie juva vedete le istruzioni riportate di seguito.

- ! In caso di problemi con l'uso del sistema di ritenuta per bambini, fare riferimento ai relativi manuali di istruzioni.
- ! Si prega di non piegare passeggino quando si collega il sistema di ritenuta.

Utilizzo della parapioggia

Per montare la parapioggia, posizionatela sopra il carello e quindi fissate 10 paia di ganci e anelli di montaggio sulla parapioggia. **27**

- ! Prima di utilizzare la parapioggia, assicuratevi che la schiena è stata fissata alla sua posizione più bassa e che il seggiolino è stato fissato.
- ! Dopo che è stata assemblata la parapioggia, riassemblate il vassoio per i genitori nel manico.
- ! Quando si utilizza la parapioggia controllate sempre la ventilazione.
- ! Quando non si utilizza, controllate se la parapioggia è stata pulita e asciugata prima della piegatura.
- ! Se la parapioggia è sul carrello rimuovetela sempre per evitare il taglio e i danni.
- ! Non mettete il vostro bambino nel carello con la parapioggia montata in estate.
- ! Quando utilizzate il carello sulla spiaggia, pulite completamente il carello dopo l'uso per rimuovere la sabbia e la sale dai sistemi e i meccanismi delle ruote.

Utilizzo delle zanzariere

Coprite il carello con la zanzariera. Seguite i passi per fissare la zanzariera.

1. Attaccate la cintura elastica nel gancio sul retro della plastica. **28** - 1
2. Avvolgete nella parte inferiore del supporto per le gambe e quindi incollate il Velcro®. **28** - 2
3. Ripetete i passi precedenti per fissare la zanzariera sul lato opposto.

La zanzariera assemblata viene mostrata come nella figura. **28**

Utilizzo del vassoio per i genitori

Per montare il vassoio per i genitori, allegate questa sui quadri per il vassoio principale su entrambi i lati del manico. **29**

- ! Non posizionare alcun articolo che può danneggiare il vostro bambino o danneggiare in alcun modo il carello nel vassoio per i genitori.
- ! Il peso massimo consigliato per il vassoio per i genitori è di 1.36kg/3libbre.

Utilizzo del vassoio rotante per il bambino

Il vassoio rotante per il bambino può essere sollevato verso l'alto dalla parte sinistra ma anche dalla parte destra. **30** **32**

Per aprire il vassoio rotante per il bambino, premete il pulsante di rilascio di questo **31** - 1, e poi tirate il vassoio rotante per il bambino verso l'alto. **31** - 2

Utilizzo del supporto per le braccia

Allineate il fine del supporto per le braccia con la componente appropriata e quindi premete il blocco. **33** **35**

- ! Non utilizzate il carrello se è difetto o danneggiato
- ! Il carrello deve essere utilizzato solo per una velocità di passeggio. Questo prodotto non è destinato ad essere utilizzato per correre.
- ! Per evitare il soffocamento, prima di utilizzare questo prodotto, rimuovete i sacchetti di plastica e i materiali di imballaggio. I sacchetti di plastica e i materiali di imballaggio devono quindi essere tenuti lontano dai bambini.

Il supporto per le braccia può essere sollevato dalla parte destra e dalla parte sinistra.

Premete il pulsante di rilascio del supporto per le braccia **34** - 1 e tirate il supporto per le braccia. **34** - 2

Consiglio Il supporto per le braccia può essere aperto per un facile posizionamento e rimozione.

Cura e manutenzione

1. Il cuscino per la seduta rimovibile può essere lavato con acqua fredda e asciugata senza pieghe. Senza sbiancamento
2. Per pulire il quadro del carrello, usate solo sapone di Marsiglia e acqua calda. Non usate agenti di sbiancamento o detersivi.
3. Occasionalmente controllate il carrello per paura che dovesse viti allentate, parti usurate, materiali o cuciture difetti. Sostituite o riparate quelle parti di conseguenza.
4. Una esposizione eccessiva ai raggi solari o al calore può causare scolorimento o deformazioni delle parti.
5. Se il carrello è umido, aprite la tenda e lasciatelo asciugare completamente prima del stoccaggio.
6. Se le ruote squittiscono, utilizzate un olio leggero (es. Spray al silicone, olio control il ruggine o olio per la macchina da cucire). È importante di mettere l'olio nel sistema delle ruote o nell'asso. **1**
7. Se il pedale del freno è rigido/difficile da innestare completamente, sciacquare eventuali detriti dall'impianto frenante con acqua pulita prima di procedere alla lubrificazione.
8. Quando si utilizza il passeggino in spiaggia o in aree con molta polvere/sabbia, pulire completamente il passeggino dopo l'uso per rimuovere sabbia e sale dai meccanismi dei freni e dai gruppi ruota.

Gefeliciteerd dat u deel uitmaken van de familie Joie! We zijn erg blij om deel te nemen aan de reis met je baby terwijl u loopt met een Joie MUZE™ kinderwagen u gebruik maken van een hoge kwaliteit, volledig gecertificeerd en goedgekeurd volgens de Europese veiligheidsnormen EN 1888-1:2018. Dit product is geschikt voor kinderen met een gewicht tot 15 kg. Lees deze handleiding zorgvuldig en volg elke stap naar een comfortabele rit en de beste bescherming voor uw kind te waarborgen

BELANGRIJK - BEWAAR DEZE INSTRUCTIES VOOR TOEKOMSTIG GEBRUIK.

Bezoek ons op joiebaby.com om de handleiding te downloaden en nog meer geweldige producten van Joie te zien!

Bezoek voor de garantiebepalingen svp onze website joiebaby.com

Inhoud

Figures	1-7
Aanwijzingen	67
Kinderwagen montage	68
Opening van kinderwagen	68
Voorwielmontage	69
Achterwielmontage	69
Kinderwagen bediening	69
Tilt aanpassen	69
Gebruik van gesp	69
Gebruik vans schouder & middel harnessen	69
Aanpassen van benensteun	69
Gebruik van vooras slot	70
Gebruik van brake	70
Gebruik van luifel	70
Kinderwagen inklappen	70
Gebruik van hoofdband	70
Gebruik van accessoire	70
Verzorging en onderhoud	71

Noodgeval

In geval van nood of ongeval, het belangrijkste is uw kinderopvang door het verstrekken van eerste hulp of medische behandeling.

Productinformatie

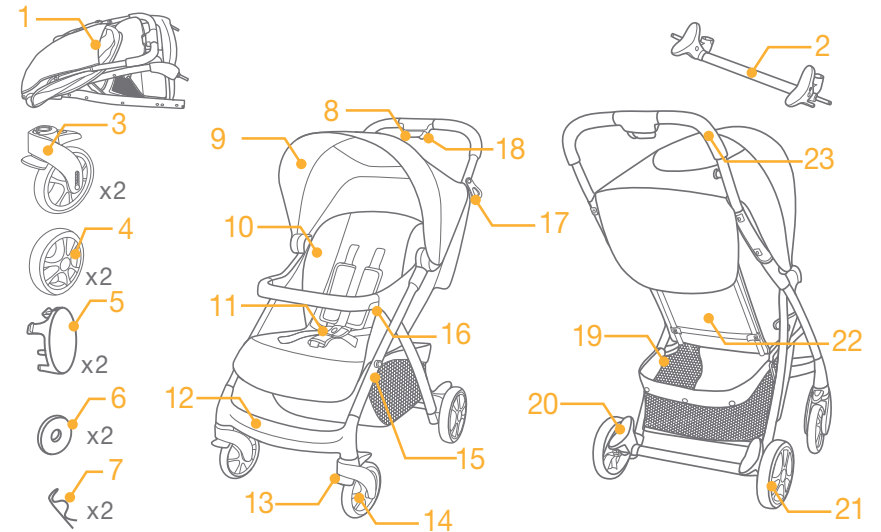
Lees alle instructies in deze handleiding voordat u het product gebruikt. Als u vragen heeft, raadpleeg dan de dealer. Sommige functies kunnen variëren per model.

Product	Eenvoudige kinderwagen
Betrekking op	Kinderen met een gewicht tot 15 kg (vanaf geboorte tot - 36 maanden)
Materialen	Kunststof, metaal, textiel
Patentno	Proces van het patent verkrijgen
Gemaakt in	China
Merknaam	Joie
Website	www.joiebaby.com
Fabrikant	Allison Baby UK Ltd

Lijst med onderdelen

Zorg ervoor dat alle onderdelen beschikbaar zijn vóór de montage. Als er onderdelen ontbreken contact op met uw lokale dealer. Geen gereedschap nodig voor de montage.

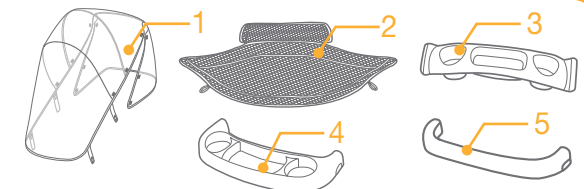
1 Ramen	8 Handgreep voor	13 Vooras slot	19 Opslaglade
2 Achteras	9 Inklappen met een	14 Voorwiel	20 Rem handvat
3 Voorwiel(x2)	hand	15 Opslag daagframe	21 Achterwiel
4 Achterwiel (x2)	9 Baldakijn	16 Hand uitgifte	22 Rugleuning
5 Dekken (x2)	10 Kussen voor stol	17 Ondersteuning	23 Handvat
6 Ring (x2)	11 Gesp	opslagruimte	
7 Nagel (x2)	12 Voetsteunen	18 Secundair slot	



Toebehoren

(zijn mogelijk niet meegeleverd)

- 1 Regenhoes
- 2 Insectenwerend
- 3 Ouders laden
- 4 Draaibare kind laden
- 5 Draagarmen



AANWIJZINGEN

- ! ATTENTIE Gebruik altijd een combinatie van staande heupgordel. Wij stellen voor het gebruik en de schoudergordels.
- ! ATTENTIE Voordat u gebruik van ervoor te zorgen dat alle vergrendelingen worden bediend.
- ! ATTENTIE Zorg ervoor dat de wandelwagen volledig geopend of gevouwen is, voordat een kind naar de truck te benaderen.
- ! ATTENTIE Zorg ervoor dat uw kind niet met dit product speelt.
- ! Het is noodzakelijk dat een volwassene montage verwezenlijkt.
- ! Gebruik van de wandelwagen met een kind dat zwaarder is dan 15kg kan voor schade aan de wandelwagen zorgen.
- ! Als u een gevaarlijke, onstabiele toestand te voorkomen, plaats een gewicht van niet meer dan 4,5 kg in opslag basket.
- ! Laat het kind nooit zonder toezicht. Houdt toezicht op het kind terwijl het kind in kinderwagen
- ! Gebruik alleen een wagen te rijden een kind en niet meer. Plaats nooit portemonnees, boodschappentassen, pakketten op handgreep of accessoires, verwerken of luifel
- ! Overbelasting, verkeerd inklappen of gebruik van onderdelen van andere fabrikanten kan schade aan de wagen veroorzaken kan het vernietigen of onzeker maken. Lees de handleiding goed door.
- ! Lees alle instructies in de handleiding voordat u dit product gebruikt. Bewaar de handleiding voor toekomstig gebruik. Als u deze waarschuwingen en instructies niet opvolgen, kunnen de gevolgen ernstig letsel of de dood zijn.
- ! Om ernstig letsel als gevolg van uitglijden of vallen van de wagen te vermijden, gebruik dan altijd een riem.
- ! De veiligheidsgordels en bevestigingssystemen moeten correct worden gebruikt worden
- ! Zorg ervoor dat als u wagen passen uw baby lichaam is uit de buurt van bewegende delen.
- ! Kind kan vervallen in been openingen en kunnen stikken als u geen gebruik van de gordel maakt.
- ! Gebruik nooit de kinderwagen op trappen of roltrappen.
- ! Houd het product uit de buurt van hoge temperatuur voorwerpen, vloeistoffen of elektronische artikelen.
- ! Plaats in de ouders lade geen items die voor kind letsel of schade toe aan
- ! Sta niet toe dat je kind staan of zitten worden in een rolstoel met zijn hoofd naar de voorkant van de wagen.
- ! Laat de wagen niet op de straten, hellingen of gevaarlijke gebieden.
- ! Zorg ervoor dat alle mechanismen worden beveiligd voordat u de kinderwagen gebruikt.
- ! Om verstikking te voorkomen, plaats geen voorwerpen met snoer om uw baby nek, hangt aan de productsnoeren bevestig ze aan het speelgoed.
- ! Plaats niets op de hendel om kantelen te voorkomen. Til het kind te brengen of te verwijderen uit de kinderwagen

- ! Tilt niet de kinderwagen met het kind binnen.
- ! Om kantelen te voorkomen, staan niet toe dat kinderen op de kinderwagen rijden.
- ! Om het vangen van vingers te voorkomen, open en vouw zorgvuldig de wandelwagen.
- ! Laat een kind niet in de mand voor opslag.
- ! Zorg ervoor dat de wandelwagen volledig geopend of gevouwen is, voordat een kind naar de truck te benaderen.
- ! Controleer voor gebruik als de bevestigingsapparaat voor het autostoel goed aangesloten is.
- ! Om verstikking te voorkomen, zorg ervoor dat er een aanzienlijke afstand tussen het kind en de scherm.
- ! Altijd als u de kinderwagen parkt op de rem.
- ! Stop met het gebruik van de kinderwagen als het defect of beschadigd is.
- ! De wagen worden gebruikt bij een loopsnelheid. Dit product is niet bestemd voor gebruik bij het lopen.
- ! Om verstikkingsgevaar te voorkomen, voordat u dit product gebruikt, verwijdert de plastic zak en verpakkingsmaterialen. Plastic zakken en verpakkingsmaterialen moeten uit de buurt van baby's en kinderen worden bewaard.
- ! Kinderwagen voor zuigelingen wordt aanbevolen voor gebruik in de hellende stand voor zuigelingen.
- ! Dit product is niet geschikt voor gebruik van tijdens het joggen of een wandeling met rolschaatsen.
- ! Maximaal aanbevolen gewicht is 1.36kg/3lbs.
- ! Voor karren ontworpen voor gebruik vanaf de geboorte wordt aanbevolen het plaatsen van kinderen in een schuine positie
- ! De parkeerapparaat moet zijn ingeschakeld bij het plaatsen of het opvoeden van kinderen.
- ! Voor de autostoeltje gebruikt met ondersteuning, in dit geval het voertuig is geen vervanging voor een babybedje of een bed. Als uw kind heeft rust nodig, dan zal het kind moet worden geplaatst in een kinderwagen, wieg of bed goed.
- ! Men moet extra voorzichtig zijn bij gebruik in bewegende voertuigen en het kind moet niet onbeheerd achter worden gelaten, zelfs niet wanneer de rem is geactiveerd.

Kinderwagen montage

Lees alle instructies in deze handleiding voor montage en gebruik van dit product.

Opening van kinderwagen

Als de wagen wordt vergrendeld zoals ② - 1, gescheid de opslag ondersteuning ② - 2 op de ramen ② - 3, en til de handgreep aan de wandelwagen te openen. Een ratel betekent dat de wagen nu helemaal open. ②

! Alvorens verder te gaan controleren als de kinderwagen volledig open is.

Voorwielmontage

Monteer de voorwielen aan de voorzijde steunen. Controleer of de wielen goed zijn bevestigd door trekken aan het wiel systemen. **3**

Voorwielen kunnen worden gedemonteerd, indien u op de ongreidelingsknop drukt. **4**

Achterwielmontage

Monteer de achterwielen naar aanleiding van de volgende stappen.

1. Verwijder de twee covers op de achteras voor de montage van achterwielen. **5 - 1**
2. Monteer het systeem op de achteras ondersteunt op de achterzijde **5**. Controleer of de wielen goed zijn bevestigd door trekken aan het wiel systemen.
3. Plaats het achterwiel en de ring aan een zijde van de achteras. **6**
4. Om het wiel en de as ring veilig te stellen, druk op de rechterkant van de nagel door het as gat **7**.
De gemonteerde nagel is als in de figuur **8**.
! Gebogen deel van de nagel moet naar buiten as buigen.
! Zorg ervoor dat de ring ligt tussen de nagel en het wiel.
5. Plaats de boutgaten met de gaten op het wiel, niet deksel op wiele om de ring en pin te dekken. **9**

Volledig gemonteerde achterwielen zien als in figuur uit. **10**

Bediening van kinderwagen

Aanpassen van kantelen

Kantelen van rugleuning

Er zijn vier hoeken voor de rugleuning.

Om de rugleuning te kantelen, draait de achterbank kantelstuk **11**, trekk de rugleuning terug. **12** Om de rugleuning hoog te brengen, druk het op

! Zorg ervoor dat de positie geschikt voor gebruik is.

Gebruik van gesp

Gesp vrijmaken

Druk op de middelste knop om de gesp vrij te laten. **13**

Gesp vergrendelen

Pas gesp aan de taille tot aan de schouder **14 - 1**, en voer deze in het midden gesp. **14 - 2**

Een ratel staat voor een volledige blokkering van de band. **14 - 3**

! Om ernstig letsel veroorzaakt door vallen of schuiven te voorkomen, altijd bescherm uw kind harnassen.

! Geef uw kind veilig in een gemakkelijke manier. Ruimte tussen het kind en de schoudergordel is ongeveer een klap.

! Steek niet de schouderbanden. Dit veroorzaakt druk op de hals van het kind.

Gebruik van schouder- en taille gordel

! Om het kind tegen vallen te beschermen, nadat het kind zitt, controleer dat de schouder en taille harnassen op de juiste hoogte en lengte zijn.

15 - 1 Bevestiging A voor schoudergordel

15 - 2 Bevestiging B voor schoudergordel

15 - 3 Aanpassing vanschuiven

Voor een ouder kind gebruik de vergrendeling voor schouder harnas schouder A en de hoogste spaties voor schouder. Voor een kleiner kind, gebruik de vergrendeling voor schouder harnas schouder B en de lagere spaties voor schouders.

Gebruik een van de inrichting voor de chouder harnas die het dichtst bij de schouder van het kind ist. **16**

Gebruik de aanpassen apparaat voor te schuiven om de harnas om de lengte te veranderen. **17 - 1**

Druk op de knop **17 - 2**, tijdens de aanpassing van de taille harnas aan een geschikte lengte. **17 - 3**

Gebruik van benensteun

Het benesteun heeft 2 posities

Om de nstersuening voor de benen aan te passen, druk op de knoppen eronder **18 - 1** en drai de steun omhoog of omlaag. **18 - 2**

Gebruik van vooras slot

Trek de vergrendeling van de voorste haak om de beweging te houden. **19**

Advies Het wordt aanbevolen de gebruik van haak vergrendelingen op oneffen oppervlakken.

Gebruik van rem

Om de wielen te vergrendelen, stap op een van de rempedaal, als in de figuur **20**, til de pedalen om de wielen vrij te kregen.

Advies Rem moet worden gebruikt als u het kind zit of lift.

Advies Gebruik de rem als de kinderwagen stilstaat.

Advies Om zeker te zijn dat de rem volledig wordt toegepast, schud de kinderwagen heen en weer voor het vrijgeven van het handvat.

Advies Als het rempedaal stijf is/moeilijk ingetrapt kan worden, spoelt u eerst al het vuil uit het remsysteem met schoon water voordat u gaat smeren.

Gebruik van luifel

Om de luifel te openen, trek dit naar voren. **21**

Om de luifel te vouwen, trek dit naar achteren. **22**

Vouwen van de kinderwagen

Druk op de secundaire vergrendeling **23 - 1** en draai de vouw handgreep **23 - 2**. Duw de wagen vooraan voor het vouwen. Een ratel betekent dat de wandelwagen volledig is gevouwen **24 - 1**. Kinderwagen is volledig ingeklapt en vergrendeld. **24**

Gebruik van ondersteuning band

Klem de ondersteuning band voor gemakkelijk transport. **25**

Gebruik van accessoires

- 26 - 1 Regenhoes 26 - 2 Insectenwerend 26 - 3 Ouders laden
26 - 4 Draaibare kind laden 26 - 5 Draagarmen

De accessoires kunnen ook separat worden gekocht of kunnen niet beschikbaar afhankelijk van de regio zijn.

Gebruik in combinatie met autostoeltje Joie

Voor gebruik met de autostoel Joie juva raadpleeg de volgende instructies

- ! Als u vragen heeft over het autostoeltje, neemt u dan de gebruiksaanwijzing van het autostoeltje erbij.
- ! Gelieve niet kinderwagens vouwen bij het bevestigen van het kinderzitje.

Gebruik van regenhoes

Om de regenhoes monteren, plaatst deze op de trolley en sluit vervolgens de 10 paar klit hechting zoals weergegeven in de bovenstaande afbeelding. 27

! Voordat u de regenhoes gebruikt, zorg ervoor dat de rug was ingesteld op laagste stand en het zitje is vastgesteld.

! Voordat u de regenhoes gebruikt, monteer de ouder lade terug op de handgreep

! Controleer altijd de ventilatie bij gebruik van de regenhoes.

! Wanneer niet in gebruik, controleer dan of regenhoes werd schoongemaakt en droog is voor de vouwen.

! Als regenhoes op de kinderwagen is, altijd verwijderen om breuk en beschadiging te voorkomen.

! Tijdens het warme seizoen, plaats het kind niet in de kinderwagen met geassembleerde regenhoes.

! Bij het gebruik van de kinderwagen op het strand, reinig volledig de kinderwagen na gebruik om zand en zout van de wielen mechanismen en structuren te verwijderen.

Gebruik van insectenwerende

Bedek de kinderwagen met de insectennetten. Volg deze stappen om de insectenwerend te beveiligen

1. Bevestig de elastische banda aan de haak aan de achterkant van de plastic. 28 - 1
2. Rol de onderkant van de voetensteun en dan plak de Velcro®. 28 - 2
3. Herhaal de bovenstaande stappen om het insect te beveiligen aan de andere kant.

Gemonteerde insectenwerend ziet eruit als figuur. 28

Gebruik van Draagarmen

Om de oudenladen te monteren, bevestig deze aan de bovenliggende ramenaan beide zijden van de handgreep. 29

! Nooit een artikel ouder lade die kan uw baby kwetsen of schade aan de winkelwagen

! Maximaal aanbevolen gewicht is 1.36kg/3lbs.

Gebruik van roterende laden voor kinderen

Roterende lade voor het kind kan links en rechts worden opgewekt. 30 32

Om de roterende lade voor het kind te open, pres de release knop 31 - 1, en trek de roterende lade voor het kind naar boven. 31 - 2

Gebruik van draagarmen

Lijn einde van de armlegger met de juiste componenten en druk vervolgens op het slot. 33 35

De draagarmen kan van links en rechts omhoog worden.

Druk de ontspanknop van de draagarmen 34 - 1, en trek de draagarm 34 - 2.

Advies Draagarmen kan worden geopend voor eenvoudige plaatsing en verwijdering.

Verzorging en onderhoud

1. Afneembare kussens kunnen worden gewassen met koud water en druppelen-gedroogd. Zonder bleken.
2. Om de wagen schoon te maken, gebruik dan alleen huishoudelijke zeep en warm water. Gebruik geen bleekmiddelen of detergents.
3. Af en toe controleer de winkelwagen opdat er losse schroeven, beschadigde onderdelen, materialen of defecte naden. Vervang of repareer die delen.
4. Overmatige blootstelling aan zonlicht of hitte kan tot verkleuring of vervorming van onderdelen leiden
5. Als zich de wagen bevochtigt, open de luifel en laat het goed drogen voordat u het opbergt.
6. Als de wielen piepen, gebruik dan een lichte olie (bijv. bespoten met siliconen olie, olie tegen roest, of naaimachine olie). Het is belangrijk olie in het wiel of as-systeem te brengen. 1
7. Als het rempedaal stijf is/moeilijk ingetrapt kan worden, spoelt u eerst al het vuil uit het remsysteem met schoon water voordat u gaat smeren.
8. Als u de wandelwagen op het strand of in gebieden met veel stof/zand gebruikt, moet u hem goed schoonmaken na het gebruik om alle zand en zout van het remmechanisme en de wielen te verwijderen.

RU Поздравляем!

Поздравляем вас с тем, что вы стали частью семьи Joie! Мы очень рады быть частью путешествия вашего малыша. Во время путешествия с Joie MUZE™, вы будете использовать высококачественную, полностью сертифицированную коляску. Этот продукт подходит для использования детей весом до 15кг. Пожалуйста, внимательно прочтите это руководство, чтобы обеспечить комфортное путешествие и наилучшую защиту для вашего ребенка.

ПОЖАЛУЙСТА, ХРАНИТЕ РУКОВОДСТВО ПО ЭКСПЛУАТАЦИИ ДЛЯ ДАЛЬНЕЙШЕГО ИСПОЛЬЗОВАНИЯ.

Посетите сайт joiebaby.com, чтобы скачать инструкцию или увидеть больше интересных товаров Joie. Для получения информации по гарантии, пожалуйста, посетите наш сайт joiebaby.com

Содержание

Изображения	1-7
Предостережения	75
Сборка коляски	76
Открытие коляски	76
Сборка передних колёс	76
Сбока задних колёс	76
Использование коляски	76
Регулировка наклона спинки	76
Использование пряжки	77
Использование плечевого и поясного ремня	77
Регулировка подножки	77
Использование фиксатора передних колёс	77
Использование тормоза	77
Использование капюшона	78
Складывание коляски	78
Использование ремня для транспортировки	78
Аксессуары	78
Обслуживание и уход	79

Непредвиденный случай

В случае чрезвычайной ситуации или аварии, самое главное, чтобы вашему ребенку была оказана своевременная медицинская помощь.

Информация о коляске

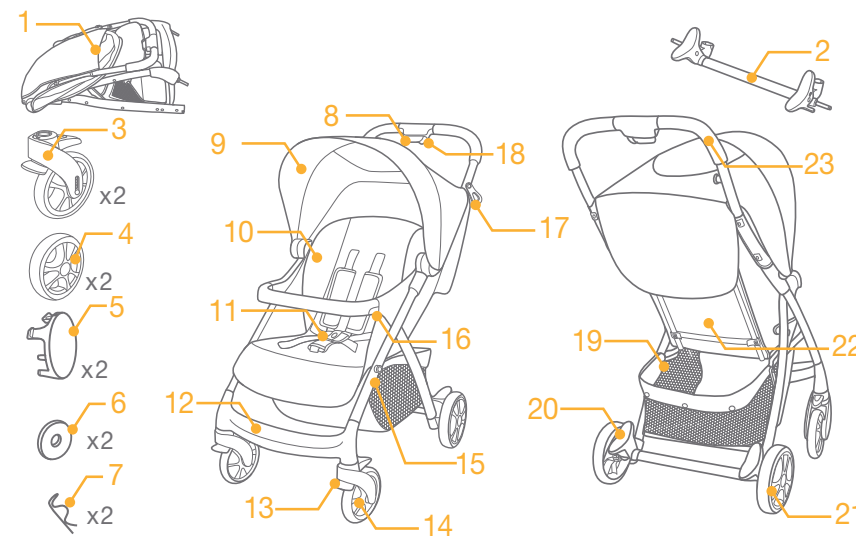
Перед началом использования обязательно прочтите все инструкции в этом руководстве. Если у вас возникли дополнительные вопросы, обращайтесь к продавцу. Некоторые функции могут отличаться в зависимости от модели.

Наименование	Коляска Muze
Пригодно для	Ребёнка до 15кг (От рождения до 36 месяцев)
Материал	Пластик, металл, текстиль
Патент №	В ожидании патента
Сделано в	Китае
Бренд	Joie
Веб-сайт	www.joiebaby.com
Производитель	Allison Baby UK Ltd

Схема

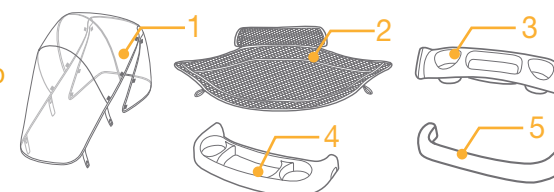
Пожалуйста, перед сборкой убедитесь, что все составляющие в комплекте и обратитесь к продавцу, в случае отсутствия какой-либо части комплектации. Для сборки не нужны инструменты.

1 Коляска	8 Кнопка открытия/закрытия	14 Передние колёса	18 Второстепенный замок
2 Задний мост	9 Капюшон	15 Фиксатор сложения	19 Корзинка
3 Передние колёса (x2)	10 Подушка сиденья	16 Кнопка снятия бампера	20 Тормоз
4 Задние колёса (x2)	11 Пряжка	17 Фиксатор сложения	21 Задние колёса
5 Заглушки (x2)	12 Подножка		22 Спинка
6 Шайбы (x2)	13 Фиксатор колёс		23 Ручка
7 Шпильки (x2)			



Дополнительные аксессуары (не включены в основную комплектацию)

- 1 Дождевик
- 2 Москитная сетка
- 3 Родительский поднос
- 4 Вращающийся детский поднос
- 5 Бампер



Предостережения

- ! **ВНИМАНИЕ** Перед использованием убедитесь, что все механизмы защёлкнуты.
- ! **ВНИМАНИЕ** Не позволяйте ребенку играть с коляской.
- ! Сборкой коляски должен заниматься взрослый.
- ! Использование для ребенка весом более 15 кг, приведет к повреждению коляски.
- ! **ВНИМАНИЕ** Всегда используйте ремни безопасности.
- ! Не кладите более 4,5кг в корзину, это может привести к нестабильности коляски и опасности.
- ! Никогда не оставляйте ребенка без присмотра. Всегда держите ребенка в поле зрения, пока он в коляске.
- ! Никогда не сажайте нескольких детей в коляску. Никогда не вешаете сумки, пакеты на ручку коляски или капюшон.
- ! Перегрузка, неправильное складывание или использованием комплектующих производителей может привести к поломке коляски. Внимательно читайте руководство по эксплуатации.
- ! Пожалуйста, прочтите все инструкции в данном руководстве перед использованием коляски. Пожалуйста, храните руководство по эксплуатации для дальнейшего использования.
- ! Ремни безопасности обязательно нужно использовать правильно.
- ! Ребёнок может сползти из коляски, если не использовать ремни безопасности.
- ! Убедитесь, что ваш ребёнок защищён от движущихся частей при регулировке коляску.
- ! Никогда не используйте коляску на лестницах и эскалаторах.
- ! Беречь от объектов высокой температуры, жидкостей и электроники.
- ! Никогда не кладите предметов в корзину, которые могут навредить вашему ребёнку.
- ! Никогда не позволяйте вашему ребенку стоять или сидеть в коляске против хода движения.
- ! Никогда не оставляйте коляску на дорогах, склонах или опасных местах.
- ! Удостоверьтесь, что все части коляски собраны правильно.
- ! Во избежание удушья, не вешайте предметы на шею вашего ребенка.
- ! Не ставьте ничего на ручку коляски, чтобы избежать переворачивания коляски.
- ! Не поднимайте коляску вместе с ребёнком.
- ! Не используйте корзинку как переноску для ребёнка.
- ! Во избежание опрокидывания, никогда не позволяйте ребенку залезать в коляску самому.
- ! Во избежание защемления пальцев, будьте внимательно во время складывания коляски.
- ! Удостоверьтесь, что коляска полностью сложена или разложена, прежде чем подпускать ребёнка.
- ! Для безопасности вашего ребенка, пожалуйста, убедитесь, что все механизмы закреплены, прежде чем использовать коляску.
- ! Всегда зажимайте тормоза при парковке коляски.

- ! Прекратите использовать коляску, если она повреждена или сломана.
- ! Коляска предназначена для ходьбы с ней. Она не рассчитана на бег.
- ! Во избежание удушья, снимите всю упаковку перед использованием коляски. Пластиковые пакеты и другие упаковочные материалы нужно держать вдали от детей.
- ! Коляска не предназначена для бега или катания на ней.
- ! Максимально допустимый вес для родительского подноса, равен 1.36кг .
- ! Всегда зажимайте тормоза при парковке коляски.
- ! Никогда не кладите предметов в корзину, которые могут навредить вашему ребёнку.
- ! Беречь от объектов высокой температуры, жидкостей и электроники.
- ! **ВАЖНО** Когда вы складываете или раскладываете коляску, во избежание травм, убедитесь, что ваш ребёнок находится на безопасном расстоянии.
- ! **Важно** Перед использованием убедитесь, что все механизмы правильно закреплены.
- ! Перед складыванием коляски, во избежание защемления, убедитесь, что ваш ребёнок в безопасности.
- ! При использовании в движущихся транспортных средствах следует проявлять особую осторожность и ни в коем случае не оставлять ребенка без присмотра даже при наличии тормозов.

Сборка коляски

Перед сборкой и использованием коляски, пожалуйста, прочтите руководство по эксплуатации полностью.

Открытие коляски

Если коляска закрыта **2** - 1, отсоедините фиксатор **2** - 2 то штыря **2** - 3 а затем поднимите ручку вверх. Звук щелчка будет означать, что коляска полностью открыта. **2**

! Удостоверьтесь, что коляска полностью открыта.

Сборка передних колес

Вставьте передние колеса в отверстия. Убедитесь, что колеса надёжно закреплены, потянув их обратно. **3**

Чтобы снять передние колеса, просто нажмите кнопку. **4**

Сборка задних колес

Соберите задние колеса, выполнив следующие действия:

1. Выкиньте колпачки с заднего моста перед установкой колес. **5** - 1
2. Прикрепите задний мост к раме **5**. Убедитесь, что он надёжно закреплен, потянув его назад.
3. Наденьте задние колеса и шайбы по бокам моста. **6**
4. Вставьте шпильки в отверстия в заднем мосте. **7**
Вставленная шпилька выглядит так: **8**
! Убедитесь, что шайба находится между колесом и шпилькой.
5. Вставьте колпачки так, чтобы штырьки колпачков попали в углубления для них. **9**

Собранные колёса и мост показаны на рисунке. **10**

Использование коляски

Регулировка наклона спинки

У спинки есть 4 уровня наклона.

Чтобы откинуть спинку, зажмите рычаг регулировки спинки **11** и опустите спинку. **12** Чтобы поднять спинку, зажмите рычаг и поднимите ее.

! Перед использованием коляски убедитесь, что уровень наклона спинки выставлен правильно.

Использование пряжки

Расстегнуть пряжку

Нажмите центральную кнопку, чтобы расстегнуть пряжку. **13**

Застегнуть пряжку

Соедините поясную и плечевую пряжки **14** - 1 и защелкните их с центральной пряжкой. **14** - 2

Щелчок означает, что пряжка полностью собрана. **14** - 3

! Чтобы избежать серьезных травм при падении, обязательно закрепляйте вашего ребенка ремнями безопасности.

! Убедитесь, что ваш ребенок хорошо закреплен.

Пространство между ребенком и ремнем безопасности должно соответствовать толщине одной руки взрослого человека.

! Не перекрещивайте ремни безопасности, они могут давить на шею ребенка.

Использование плечевого и поясного ремней

! После того, как вы пристегнули ребенка, проверьте высоту и длину ремней безопасности.

15 - 1 Якорь плечевого ремня безопасности А

15 - 2 Якорь плечевого ремня безопасности В

15 - 3 Регулятор

Для крупного ребенка, используйте якорь А и самый высокий слот.

Для маленького ребенка, используйте якорь В и самый низкий слот.

Используйте якорь и слот, которые ближе всего к высоте плеча ребенка. **16**

Используйте регулятор для изменения длины ремней. **17** - 1

Зажмите кнопку **17** - 2, и настройте нужную длину поясного ремня безопасности. **17** - 3.

Регулировка подножки

У подножки есть 2 уровня наклона.

Чтобы отрегулировать подножку, нажмите на кнопки по обе стороны подножки **18** - 1, а затем поднимите ее или опустите. **18** - 2

Использование фиксатора передних колес

Чтобы зафиксировать колеса, поднимите фиксатор вверх. **19**

Подсказка На неровной поверхности рекомендуется фиксировать колеса.

Использование тормоза

Чтобы зафиксировать тормоз, нажмите на ближнюю часть педали тормоза. **20** Нажмите на дальнюю часть педали, чтобы освободить его.

Подсказка Всегда используйте тормоз, когда коляска стоит.

Подсказка Для поддержания исправного состояния регулярно выполняйте очистку тормозной системы. См. раздел "Уход за изделием".

Подсказка Чтобы убедиться, что тормоз сработал, слегка покачайте коляску назад и вперед перед тем, как отпустить ручку.

Использование капюшона

Чтобы открыть капюшон, вытяните его. **21**

Чтобы закрыть капюшон, сложите его. **22**

Складывание коляски

Зажмите второстепенный замок **23** - 1 и нажмите кнопку закрытия **23** - 2. Толкайте коляску вперед, чтобы сложить её. Закройте фиксатор **24** - 1. Коляска сложена и зафиксирована. **24**

Использование ремня для транспортировки

Для более удобной транспортировки коляски в сложенном виде, используйте специальный ремень. **25**

Аксессуары

26 - 1 Дождевик

26 - 2 Москитная сетка

26 - 3 Родительский поднос

26 - 4 Вращающийся детский поднос

26 - 5 Бампер

Москитная сетка-дополнительный аксессуар.

Использование с авто-люлькой Joie

При использовании автолюлькой Joie Juva, следуйте инструкциям.

! В случае возникновения проблем при использовании автокресла, изучите руководство по эксплуатации данного автокресла.

! Не складывайте коляску с авто-люлькой.

Использование дождевика

Чтобы закрепить дождевик, натяните его на коляски и закрепите 10 липучек на коляске. **27**

! После того, как вы прикрепили дождевик, можно поставить родительский поднос.

! Пожалуйста, проверяйте вентиляцию при использовании дождевика.

! Перед тем как сложить дождевик, убедитесь что он чистый и сухой.

! Не складывайте коляску с дождевиком на ней.

Использование дождевика

Чтобы установить москитную сетку, натяните её на коляску и выполните ниже перечисленные пункты.

1. Наденьте резинки на штырьки. 28 - 1
2. Оберните липучки вокруг нижней части подножки и зафиксируйте их. 28 - 2

Установленная москитная сетка показана на рис. 28

Сборка родительского подноса

Вставьте родительский поднос в отверстия в коляске. 29

- ! Никогда не кладите в родительский поднос предметы, которые могут причинить вред вашему ребенку.
- ! Максимально допустимый вес для родительского подноса равен 1.36 кг.

Сборка вращающегося детского подноса

Совместите конец бампера с соответствующим компонентом и зафиксируйте.

Бампер снимается с обеих сторон.

Нажмите кнопку 31 - 1, а затем потяните бампер 31 - 2. Подсказка: Бампер можно открывать для более удобного размещения ребенка.

Использование бампера

Вставьте детский поднос в отверстия в коляске. 30

Обслуживание и уход

1. Подушку сиденья можно стирать в холодной воде и сушить, не выжимая её. Не используйте отбеливатель.
2. Чтобы очистить раму коляски, используйте мыло и тёплую воду. Не используйте отбеливатель или моющее средство.
3. Время от времени, проверяйте коляску на предмет раскрутившихся болтов, изношенных деталей, порванного текстиля или разошедшихся швов. Поменяйте или отремонтируйте непригодные части.
4. Воздействие солнечных лучей или жара может привести к выцветанию или деформации деталей.
5. Если коляска намочла, то откройте капюшон и дайте ей высохнуть, перед тем как её убрать.
6. Если колёса скрипят, используйте жидкое масло (например: силиконовый спрей, антикоррозийное масло или масло для швейных машин). Важно, чтобы масло попало на ось колеса. 1
7. Если педаль тормоза жестко/ трудно присоединяется, промойте тормозную систему от мусора чистой водой, а затем смажьте.
8. При использовании коляски на пляже или в местах с высоким содержанием пыли/ песка полностью очищайте ее тормозные механизмы и колеса от песка и соли.

CZ Vítejte v Joie!

Gratulujeme, právě jste se stali součástí rodiny Joie! Jsme nadšeni, že jsme se stali částí vašeho života. Při cestování s kočárkem Joie Muze, budete využívat vysoce kvalitního, plně certifikovaného kočárku, schváleného dle evropských standardů EN 1888-1:2018. Tento produkt je vhodný pro dítě vážící méně než 15kg. Prosím přečtěte si pečlivě tento manuál a postupujte přesně dle zde uvedených kroků, pro zajištění komfortního cestování a maximální bezpečí pro vaše dítě.

DŮLEŽITÉ, POKYNY SI POZORNĚ PŘEČTĚTE A USCHOVEJTE PRO POZDĚJŠÍ POUŽITÍ.

Pro informace o záruce navštivte naše internetové stránky na www.joiebaby.com

OBSAH

Obrázky	1-7
VAROVÁNÍ	83
Sestavení kočárku	84
Rozložení kočárku	84
Montáž předních koleček	84
Montáž zadních koleček	84
Obsluha kočárku	85
Nastavení sklonu zádové opěrky	85
Použití spony	85
Použití ramenních a bočních pásů	85
Nastavení opěrky nohou	85
Použití aretace předních kol	85
Použití brzdy	86
Použití boudy	86
Skládání kočárku	86
Použití přepravního popruhu	86
Použití doplňků	86
Péče a údržba	87

Stav nouze

V případě ohrožení, nebo úrazu, je nejdůležitější poskytnout vašemu dítěti okamžitě ošetření a následnou lékařskou pomoc.

Informace o produktu

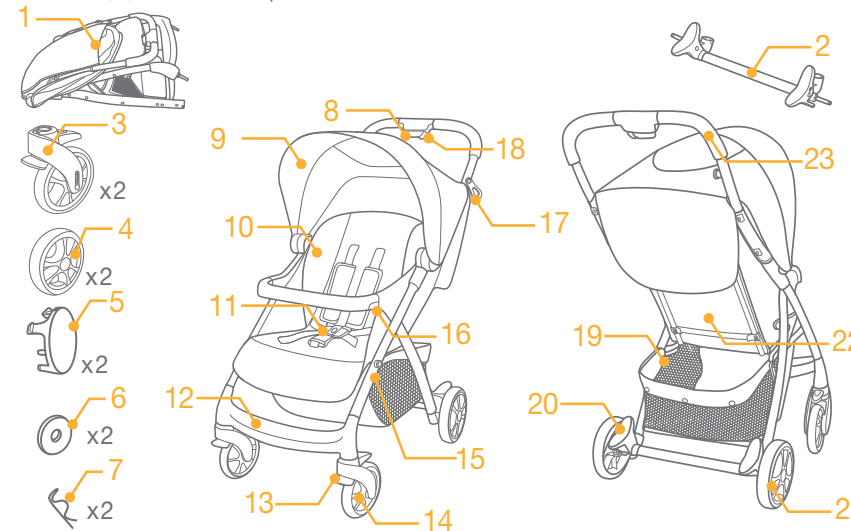
Před zahájením používání tohoto produktu si prosím nejprve pečlivě prostudujte tento manuál. Máte-li nějaké doplňující dotazy, konzultujte je s prodejcem. Některé funkce mohou nebo nemusí být dostupné, v závislosti na modelu.

Výrobek:	Kočárek Muze
Vhodná pro:	od narození do 15kg (od narození - 36 měsíců)
Materiály:	kov, plasty, látky
Patent number:	Patentováno
Vyrobeno:	v Číně
Značka:	Joie
Stránky:	www.joiebaby.com
Výrobce:	Allison Baby UK Ltd

Seznam dílů

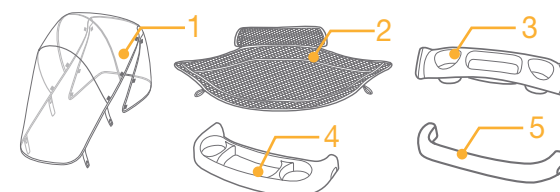
Před zahájením používání tohoto produktu si prosím nejprve pečlivě prostudujte tento manuál a ujistěte se, že balení obsahuje všechny části. Máte-li nějaké doplňující dotazy, konzultujte je s prodejcem. Pro montáž není požadované žádné nářadí.

1 Konstrukce kočárku	8 Rukojeť s jednoručním skládáním	13 Aretace předních kol	18 Pojistka skládání
2 Zadní náprava	9 Bouda	14 Přední kolo	19 Košík
3 Přední kolo (x2)	10 Polstrování sezení	15 Úchyt pojistky proti rozložení	20 Pedál brzdy
4 Zadní kolo (x2)	11 Spona	16 Uchycení madla	21 Zadní kolo
5 Krytka (x2)	12 Opěrka chodidel	17 Pojistka proti rozložení	22 Zádová opěrka
6 Podložka (x2)			23 Rukojeť
7 Závlačka (x2)			



Doplňky (nemusí být součástí)

- 1 Pláštěnka
- 2 Moskytiéra
- 3 Pultík pro rodiče
- 4 Výklonový přední pultík
- 5 Madlo



UPOZORNĚNÍ

- ! Příslušenství, která nejsou schválena výrobcem, se nesmějí používat.
- ! Nikdy nenechávejte dítě bez dozoru.
- ! Odstraňte plastový obal, v němž byl kočárek zabalen, z dosahu dětí, hrozí nebezpečí udušení.
- ! Při používání kočárku s dítětem, které váží více než 15 kg, může dojít k jeho poškození.
- ! Vždy používejte zádržný systém (postroj).
- ! Při nepříznivém počasí /déšť, sníh/ vždy používejte originální pláštěnku.
- ! Není-li kočárek v pohybu, vždy jej zabrzděte.
- ! Neponechávejte kočárek odstavený ve svahu, na silnici, nebo na nebezpečném místě.
- ! Na rukojeť kočárku zavěšujte pouze tašky k tomu určené do maximální hmotnosti 1 kg.
- ! Pamatujte, že jakékoliv břemeno zavěšené na rukojeti ovlivňuje stabilitu kočárku.
- ! Do košíku vkládejte pouze drobné, lehké předměty s maximální hmotností 4,5 kg.
- ! Kočárek není hračka pro Vaše dítě, a proto by veškerou manipulaci s ním měla provádět pouze dospělá osoba.
- ! Nejezděte s kočárkem po schodech, eskalátorech a zvláštní pozornost dávejte ve výtahu.
- ! Kočárek není vhodný pro jízdu na nebezpečných komunikacích, v terénu či kamenné dlažbě.
- ! Tento výrobek není vhodný pro běhání, nebo jízdu na bruslích.
- ! Při opravách užívejte pouze originální výměnné části.
- ! Nikdy kočárek nenechávejte v blízkosti tepelných zdrojů, tekutin a elektroniky.
- ! Před použitím zkontrolujte, zda jsou připevňovací zařízení lůžka nebo sedačky nebo autosedačky správně zaklesnuta. Před použitím si ověřte, že jsou všechny zajišťovací prvky zaklesnuty.
- ! Kočárek nevystavujte nadměrné slunečnímu záření a nesaňte jej na přímém slunci. Může dojít ke změně barvy potahové látky.
- ! Při skládání a rozkládání tohoto výrobku zajistěte, aby dítě nebylo v kočárku ani poblíž a nemohlo dojít k poranění dítěte.
- ! Kočárek vždy používejte pouze shodně s jeho určením a dle instrukcí v tomto návodu.
- ! Vyhýbejte se jízdě v písku. Písek působí jako brusivo a poškodí středy kol.
- ! Kočárek splňuje normu EN 1888-1:2018.
- ! Kočárek přenášejte pouze v nutných případech uchopením za postranní trubky konstrukce kočárku.
- ! Kočárek nikdy nepřenášejte za madlo, pultík nebo rukojeť.
- ! Tento výrobek není hračka. Nedovolte dítěti, aby si s tímto výrobkem hrálo. Převrácení kočárku na dítě může způsobit vážnou újmu na zdraví.

- ! Především úrazu dítěte tím, že jej při skládání a rozkládání kočárku ponecháte v bezpečné vzdálenosti.
- ! Ujistěte se, že Vaše dítě nemá ruce tam, kde by se mohly zaklesnout nebo být přiskřípnuty, např. když se montují / demontují takové díly jako bouda, madélko nebo se provádí jiná manipulace.
- ! Nenechávejte dítě stát na kočárku.
- ! Neumísťujte kolem krku dítěte žádné provázky k uchycení například hraček, může dojít k uškrcení dítěte.
- ! Nikdy nezvedejte kočárek s dítětem.
- ! Nepoužívejte košík k přepravě dítěte.
- ! Při ukládání / zvedání dítěte (dětí) do / z kočárku by tento kočárek měl být zabrzděný parkovací brzdou.
- ! Kočárek může být používán pouze při rychlosti chůze, není vhodný pro Joging.
- ! Nikdy nepoužívejte výrobek, je-li jeho část opotřebená nebo poškozená.
- ! Kočárek nenahrazuje korbou ani postýlku. V případě potřeby delšího spánku by mělo být dítě umístěno do korby, nebo postýlky.
- ! Při použití kočárku od narození dítěte napoložte zářadovou opěrku co nejvíce do lehu.
- ! Při používání v pohyblivých se dopravních prostředcích věnujte zvýšenou pozornost. Nenechávejte dítě bez dozoru, i když je kočárek zabrzděný.

Sestavení kočárku

Před sestavením a zahájením používání tohoto produktu si prosím nejprve pečlivě prostudujte tento manuál.

Rozložení kočárku

Pokud je kočárek zajištěn jako na obrázku 2 - 1, odjistěte pojistku proti rozložení 2 - 2 z úchyty 2 - 3 poté zvedněte rukojeť směrem vzhůru. Plně rozložení poznáte dle charakteristického kliknutí. 2

! Před pokračováním pečlivě zkontrolujte, že je kočárek správně rozložen.

Montáž předních kol

Namontujte přední kola do uchycení. Zkontrolujte, že jsou kola pevně uchycena zatažením za ně. 3

Přední kola mohou být odejmuta po zatažení za odjišťovací tlačítko směrem dozadu. 4

Montáž zadních kol

Namontujte zadní kola dle následujícího postupu:

1. Odejměte a vyhodte dvě krytky ukázané na obrázku. 5 - 1
 2. Nasadte zadní nápravu na zadní nohy kočárku 5. Zkontrolujte, že jsou kola pevně uchycena zatažením za ně.
 3. Nasadte zadní kolo a podložku na stranu nápravy. 6
 4. Pro zajištění kola a podložky na místě, nasadte závlačku rovnou stranou do otvoru na nápravě. 7
The assembled pin is shown as 8
! Zakřivená strana svorky musí obepnout vnější stranu nápravy.
! Ujistěte se, že podložka je umístěna mezi kolem a svorkou.
 5. Srovnejte tvar krytky s otvorem v kolečku a nasadte krytku na kolečko, tak aby zakryla podložku a svorku. 9
- Kompletně namontované zadní kolo je ukázáno na obrázku. 10

Ovládání Kočárku

Nastavení sklonu zádové opěrky

Zádová opěrka má 4 pozice.

Pro sklopení zádové opěrky stlačte tlačítko na zadní straně **11** a sklopte zádovou opěrku. **12** Pro zvednutí zádové opěrky ji vytlačte směrem vzhůru.

! Ujistěte se, že poloha zádové opěrky je vhodně nastavena k použití.

Použití spony

Odepnutí spony

Stiskněte centrální tlačítko spony pro její otevření. **13**

Zapnutí spony

Spojte sponu ramenního pásu se sponou bočního pásu **14** - 1 a zacvakněte je do centrální spony. **14** - 2

Pokud je spona správně zapnuta, uslyšíte charakteristické kliknutí. **14** - 3

! Abyste zabránili vážnému zranění nebo vypadnutí dítěte z kočárku, vždy jej zajistěte pomocí postroje.

! Ujistěte se, že je vaše dítě bezpečně a pohodlně zajištěno. Prostor mezi dítětem a pásy by měl být co nejmenší, maximálně pro prostrčení jedné ruky.

! Nepřekřížujte pásy. To může způsobit tlak na krk dítěte.

Použití ramenních a bočních pásů

! Abyste ochránili své dítě před vypadnutím z kočárku, ujistěte se, že jsou ramenní i boční pásy správně nastaveny, hned po usazení dítěte do kočárku.

- 15** - 1 Kotva ramenního pásu A
- 15** - 2 Kotva ramenního pásu B
- 15** - 3 posuvné nastavení

Pro větší dítě použijte kotvy ramenních pásů A v nejvyšších otvorech.

Pro menší dítě, použijte použijte kotvy ramenních pásů B do dolních otvorů..

Vždy používejte otvor nejbližší výšce ramen dítěte. **16**

Použijte posuvné nastavení pro zajištění správné délky pásů. **17** - 1

Stiskněte tlačítko **17** - 2, a zároveň tahejte za boční pás pro nastavení jeho správné délky. **17** - 3.

Nastavení opěrky Nohou

Opěrku nohou lze nastavit do 2 pozic.

Pro nastavení opěrky nohou stiskněte zároveň obě tlačítka nastavení výšky nožní opěrky **18** - 1, a otočte opěrku nohou směrem nahoru, nebo dolů. **18** - 2

Použití aretace předních kol

Zdvihněte tlačítka aretace pro zajištění směru pohybu. **19**

Tip Doporučujeme používat zaaretovaná kolečka při přejezdu nerovného terénu.

Použití brzdy

Pro zabrzdění sešlápněte jeden z brzdových pedálů směrem dolů. **20** pro odbrzdění kočárku zdvihněte brzdový pedál.

Tip Kočárek musí být zabrzděn při usazování, nebo vyjímání dítěte.

Tip Pokud s kočárkem zastavíte, vždy používejte brzdu

Tip Pro ujistění, že je brzda správně zajištěna, zkuste posunout kočárek směrem dozadu a dopředu.

Tip Brzdový systém pravidelně čistěte, aby byla zachována jeho plná funkčnost. Přečtěte si část věnovanou péči a údržbě.

Použití boudy

Pro rozložení boudy posuňte boudu směrem dopředu. **21**

Pro složení boudy posuňte boudu směrem dozadu. **22**

Složení kočárku

Stiskněte pojistku skládání **23** - 1 a stiskněte tlačítko skládání **23** - 2 Tlačte kočárek směrem dopředu pro složení kočárku. Zajistěte kočárek nasazením pojistky proti rozložení na příslušný díl **24** - 1 Kompletně složený kočárek je ukázán na obrázku. **24**

Použití přepravního popruhu

Kočárek můžete snadno přenášet po zvednutí za přepravní popruh. **25**

Použití doplňků

- 26** - 1 Pláštěnka
- 26** - 2 Moskytiéra
- 26** - 3 Pultík pro rodiče
- 26** - 4 Výklopný přední pultík
- 26** - 5 Madlo

Doplňky mohou být prodávány odděleně, nebo nemusí být dostupné v závislosti na regionu.

Použití s Joie autosedačkou

Při používání s Joie autosedačkou Juva se řiďte následujícími instrukcemi .

! V případě jakýchkoliv problémů nebo dotazů k autosedačce si pečlivě přečtěte její návod k použití.

! Neskládejte kočárek s připevněnou autosedačkou ani při upevňování autosedačky.

Použití pláštěnky

Pro nasazení pláštěnky ji položte přes kočárek a poté zapněte 10 háčků a smyček na pláštěnce. **27**

! Před používáním pláštěnky se ujistěte, že je zádová opěrka nastavena do nejnižší pozice a postroj dítěte je zapnut.

! Po namontování pláštěnky znovu nasadte pultík pro rodiče.

! Při používání pláštěnky, vždy nejprve zkontrolujte ventilaci.

! Máte-li pláštěnku nasazenou na kočárku, dbejte na to, aby nedošlo k jejímu poškození.

! Pokud pláštěnku nepoužíváte, zkontrolujte, že byla očištěna a vysušena před složením.

! Neskládejte kočárek s nasazenou pláštěnkou.

! Nepoužívejte kočárek s dítětem a nasazenou pláštěnkou v horkém počasí.

Použití moskytiéry

Zakryjte kočárek moskytiérou. Dále postupujte dle následujících pokynů.

1. Nasadte elastický proužek na háček na zadní straně plastu. **28 - 1**
2. Obtočte konec moskytiéry kolem hrany opěrky nožiček a zapněte suchý zip. **28 - 2**
3. Opakujte předchozí kroky pro uchycení moskytiéry na druhé straně.

Kompletně nasazená moskytiéra je ukázána na obrázku **28**

Použití pultíku pro rodiče

Nasadte pultík na oba postranní úchyty pultíku pro rodiče. **29**

! Do pultíku neumísťujte žádné předměty, které mohou jakkoliv ohrozit dítě, nebo kočárek.

! Maximální nosnost pultíku pro rodiče je 1.36kg/3lbs.

Použití předního pultíku

Nastavte přední výklopný pultík tak, aby byl přesně nad upevňovacími komponenty a nasuňte jej směrem dolů .

30 32 Pultík může být vyklopen na pravé, nebo levé straně.

Pro odepnutí předního pultíku stiskněte tlačítko pro odejmutí pultíku **31 - 1** ,a poté vytáhněte pultík nahoru **31 - 2**

Použití madla

Nastavte madlo tak, aby bylo přesně nad upevňovacími komponenty a nasuňte jej směrem dolů. **33 35**

Madlo může být vytaženo na pravé i levé straně.

Pro odejmutí madla stiskněte tlačítko **34 - 1** a poté vytáhněte madlo nahoru. **34 - 2**

Tip Madlo lze otevřít pro snadné usazení / vyndání dítěte.

Péče a údržba

- 1 Odnímatelná část potahu může být umyta ve studené vodě a usušena. Nelze ji žehlit. Nepoužívejte bělidlo.
- 2 K čištění konstrukce kočárku používejte pouze mýdlo a teplou vodu. Nepoužívejte bělidlo ani saponáty.
- 3 Pravidelně kontrolujte, zda některé šrouby nejsou povoleny, některé díly opotřebený, nebo zda materiál sedačky nebo šití není roztrženo.
- 4 Nadměrné vystavování slunečnímu záření, nebo teple může způsobit blednutí, nebo deformaci některých dílů.
- 5 Pokud je kočárek mokrá, otevřete boudu a nechte jej zcela vyschnout před uskladněním.
- 6 Pokud kolečka začnou vrzat, použijte olej (např. silikonový olej, olej proti korozi, olej na šicí stroje). Je důležité dostat olej na nápravu a do uchycení kol **1**
7. Pokud se brzdový pedál zasekává nebo jej nelze zcela sešlápnout, před promazáním vypláchněte nečistoty z brzdového systému čistou vodou.
8. Používáte-li kočárek na pláži nebo v prostředí s vysokou koncentrací prachu/písku, po použití jej důkladně očistěte a odstraňte písek a sůl z brzdového mechanismu a ze sestav kol.

SK Vitajte v Joie!

Gratuluje vám, práve ste sa stali súčasťou rodiny JOIE! Sme nadšení z toho, že sa stávame súčasťou vášho života. Pri cestovaní s kočíkom Joie MUZE si budete užívať vysoko kvalitného, plno certifikovaného kočíku, schváleného podľa EN 1888-1:2018. Tento produkt je vhodný pre dieťa vážiace menej ako je 15 kg. Prečítajte si starostlivo manuál na použitie a postupujte presne podľa uvedených krokov, pre zaistenie komfortného cestovania a maximálneho bezpečia pre vaše dieťa.

DÔLEŽITÉ - PRED POUŽITÍM PREČÍTAJTE POZORNE TENTO NÁVOD A USCHOVAJTE HO PRE BUDÚCU POTREBU.

Pre informácie o záruke navštívte naše internetové stránky na www.joiebaby.com

OBSAH

Obrázky	1-7
Varovanie	91
Zostavenie kočíka	92
Rozloženie kočíka	92
Montáž predných kolies	92
Montáž zadných kolies	92
Obsluha kočíka	93
Nastavenie sklonu opierky chrbta	93
Použitie spony	93
Použitie ramenných pásov a bočných pásov	93
Nastavenie opierky pre nohy	93
Použitie aretácie predných kolies	93
Použitie brzdy	94
Použitie striešky	94
Skladanie kočíka	94
Použitie transportného popruhu	94
Použitie doplnkov	94
Starostlivosť a údržba	95

Stav núdze

V prípade ohrozenia alebo úrazu je najdôležitejšie poskytnúť vášmu dieťaťu okamžité ošetrenie a následnú lekársku pomoc.

Informácie o produkte

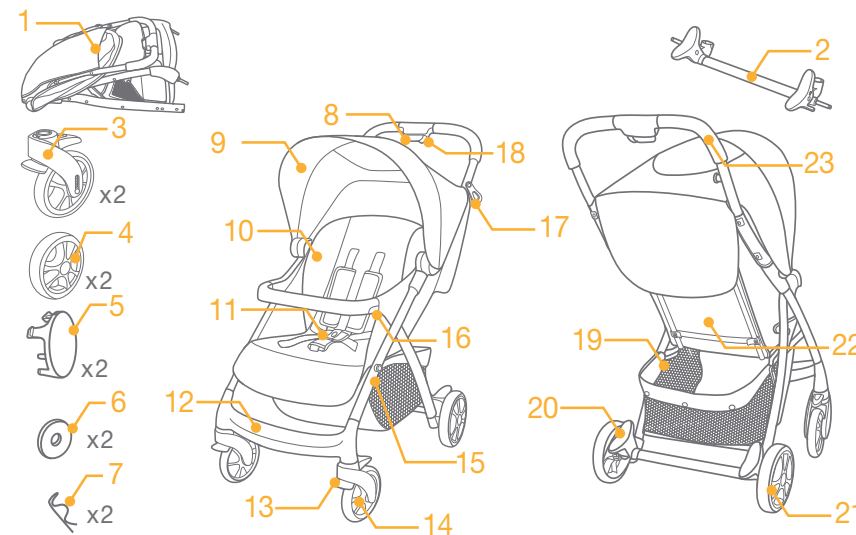
Pred zahájením používania tohto produktu si prosím najprv starostlivo prečítajte návod na použitie. Ak máte nejaké doplňujúce dotazy, konzultujte je s predajcom. Niektoré funkcie môžu alebo nemusí byť dostupné v závislosti na modeli.

Výrobok:	Kočik Muze
Vhodné pre:	výrobok používať iba pre deti do hmotnosti 15kg (od narodenia do 36 mesiacov)
Materiály:	Plast, hliník, látky
Vyrobené:	v Číne
Značka:	Joie
Stránky:	www.joiebaby.com
Výrobca:	Allison Baby UK Ltd

Zoznam dielov

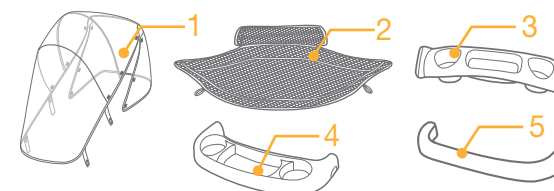
Pred zahájením používania tohto produktu si prosím najprv starostlivo prečítajte návod na použitie. Ak máte nejaké doplňujúce dotazy, konzultujte je s predajcom. Pre montáž nie je potrebné náradie.

1 Konštrukcia kočíka	8 Rukoväť s jednoručným skladaním	13 Aretácia predných kolies	rozloženie
2 Zadná náprava	9 Strieška	14 Predné koleso	18 Poistka skladania
3 Predné koleso (x2)	10 Polstrovanie sedenia	15 Uchytenie poistky proti rozloženiu	19 Košík
4 Zadné koleso (x2)	11 Spona	16 Uchytenie madla	20 Brzdový pedál
5 Krytka (x2)	12 Opierka pre chodidlá	17 Poistka proti rozloženiu	21 Zadné koleso
6 Podložka (x2)			22 Chrbtová opierka
7 Závlačka (x2)			23 Rukoväť



Doplňky (nemusi byť súčasťou)

- 1 Pláštenka
- 2 Sieťka proti hmyzu
- 3 Pult pre rodičov
- 4 Výklopny predný pult
- 5 Madlo



UPOZORNENIE

- ! Používajte iba originálne príslušenstvo schválené výrobcom.
- ! Nikdy nenechávajte dieťa bez dozoru!
- ! Odstráňte všetky plastové obaly, v ktorých bol kočík zabalená z dosahu detí, hrozí nebezpečenstvo udusenía.
- ! Pri používaní kočíka s dieťaťom ktorého hmotnosť je väčšia ako 15 kg, môže dojsť k jeho poškodeniu.
- ! Používajte vždy upevňovací systém.
- ! Pri nepriaznivom počasi /dážď, sneh/ vždy používajte originálnu pláštenku.
- ! Ak nie je kočík v pohybe, vždy ho zabrzdite.
- ! Nenechajte kočík stať vo svahu, na ceste alebo na nebezpečnom mieste.
- ! Na rukoväť kočíka vešajte iba tašku určenú na kočík, do maximálnej hmotnosti 1 kg.
- ! Pamätajte, že akékoľvek bremeno повеšané na rukoväti ovplyvňuje stabilitu kočíka.
- ! Do košíku vkladajte iba drobné a ľahké predmety s maximálnou hmotnosťou 4.5 kg.
- ! Kočík nie je hračka pre vaše dieťa, preto by všetku manipuláciu s ním mala robiť iba dospelá osoba.
- ! Nejazdite s kočíkom po schodoch, eskalátoroch a zvláštnu pozornosť venujte vo výťahu.
- ! Kočík nie je vhodný pre jazdu na nespevnených cestách, v terénu, a lebo na kamenných dlažbách.
- ! Tento výrobok nie je vhodný na behanie, korčuľovanie.
- ! Pri opravách používate iba originálne výmenné diely.
- ! Nikdy nenechávajte kočík v blízkosti tepelných zdrojov, tekutín, elektroniky.
- ! Pred použitím skontrolujte, či sú správne pripevnené upevňovacie zariadenia kočiarika, sedačky alebo autosedačky. Pred používaním sa uistite, že všetky zaistovacie zariadenia sú zaistené.
- ! Kočík nevystavujte nadmernému slnečnému žiaru a nesušte ho na priamom slnku. Môže dojsť k zmene poťahové látky.
- ! Pri rozopínaní a zapínaní sa uistite, že dieťa nie je v kočiariku, aby ste predišli prípadnému úrazu.
- ! Kočík používajte iba v zhode s návodom na použitie.
- ! Vyhýbajte sa jazde v piesku. Piesok pôsobí ako brusivo a môže poškodiť stredy kolies.
- ! Kočík spĺňa normu EN 1888-1:2018.
- ! Kočík prenášajte iba v nutných prípadoch uchopením za postrannú konštrukciu kočíka.
- ! Kočík nikdy neprenášajte za madlo, pult a lebo za rukoväť.
- ! Tento výrobok nie je hračka. Nenechajte dieťa hrať sa s týmto výrobkom. Preklopenie kočíka môže spôsobiť vážnu ujmu na zdraví.
- ! Predídte úrazu dieťaťa tým, že pri skladaní a rozkladaní kočíka ho ponecháte v bezpečnej vzdialenosti.

- ! Uistite sa, že ruky dieťaťa nesú tak, kde sa môžu zaseknúť, priškripnúť, napríklad keď sa montujú /demontujú také diely ako je striedka, madlo alebo sa robí iná manipulácia.
- ! Nenechajte dieťa stať v kočíku.
- ! Neumiestňujte kolem krku dieťaťa nijaké povrázky k uchyteniu hračiek, môže dôjsť k uškrtenu dieťaťa.
- ! Nikdy nedvíhajte kočík i s dieťaťom.
- ! Nikdy neprepravujte dieťa v košíku.
- ! Pri ukladaní a dvíhaní dieťaťa do a z kočíka by tento kočík mal byť zabrzdzený parkovacou brzdou.
- ! Kočík môže byť používaný iba pri rýchlosti chôdze, nie je vhodný pre jogging.
- ! Nepoužívajte kočík, ak je niektorá časť poškodená alebo chýba.
- ! Kočík nenahradzuje hlbokú vaňu ani postielku. V prípade potreby dlhšieho spánku by dieťa malo byť umiestnené do hlbkej korby alebo postielky.
- ! Pri použití kočíka od narodenia dieťaťa napolohujte chrbtovú opierku čo najviac do ľahu.
- ! V prípade používania v pohybujúcich sa vozidlách je potrebná osobitná opatrnosť a dieťa sa nesmie ponechávať bez dozoru, ani keď je zatiahnutá brzda.

Zostavenie kočíka

Pred zostavovaním a zahájením používania tohto produktu si najprv preštudujte tento návod.

Rozloženie kočíka

Ak je kočík zaistený ako na obrázku 2 - 1, odistite poistku proti rozloženiu kočíka 2 - 2 z úchytu 2 - 3 a potom nadvihnite rukoväť smerom hore. Úplné rozloženie kočíka poznáte podľa charakteristického kliknutia. 2

! Než budete pokračovať, uistite sa, že je kočík správne rozložený a zaistený.

Montáž predných kolies

Namontujte predné kolesa do uchytenia. Skontrolujte, že sú kolesa pevne uchytená tým, že za ne zatiahnite. 3

Predné kolesá vyberte tak, že zatiahnete za tlačidlo pre odistenie kolies smerom dozadu. 4

Montáž zadných kolies

Namontujte zadná kolesa podľa nasledujúceho postupu:

1. Vyberte a vyhodte dve krytky ukázané na obrázku. 5 - 1
 2. Nasadte zadnú nápravu na zadné nohy kočíka 5. Skontrolujte, či sú kolesa pevne uchytená ich zatáhaním.
 3. Nasadte zadné koleso a podložku na stranu nápravy. 6
 4. Pre zaistenie kolesa aj podložky na mieste, nasadte závlačku rovnou stranou do otvoru v náprave. 7
Zmontovaný díl nájete na obrázku 8
! Zakrivená strana svorky musí obopnúť vnútornú stranu nápravy.
! Uistite sa, že podložka je umiestnená medzi kolenom a svorkou.
 5. Zrovajte tvar krytky s otvorom v koliesku a nasadte krytku na koliesko tak, aby zakryla podložku a svorku. 9
- Kompletne namontované zadné koleso je ukázané na obrázku. 10

Ovládanie kočíka

Nastavenie polohovania chrbtovej opierky

Chrbtová opierka má 4 pozície

Pre sklopenie chrbtovej opierky stlačte tlačidlo na zadnej strane **11** a sklopte chrbtovú opierku. **12** Pro zvednutí zádové

Pre zdvihnutí chrbtovej opierky ju vytlačte smerom hore.

! Uistite sa, že je chrbtová opierka správne nastavená pre používanie.

Použitie spony

Odpnutie spony

Stlačte centrálné tlačidlo pre rozopnutie spony. **13**

Zapnutie spony

Spojte sponu ramenného pásu so sponou bočného pásu **14** - 1 a zacvaknite je do centrálnej spony. **14** - 2

Ak je spona správne zapnutá, uslyšíte charakteristické kliknutie. **14** - 3

! Aby ste zabránili vážnemu úrazu alebo vypadnutiu dieťaťa z kočíka, vždy ho pripúťajte bezpečnostným pásom.

! Uistite sa, že je vaše dieťa správne zaistené a pripúťané. Priestor medzi pásom a dieťaťom by mal byť čo najmenší, maximálne pre prestrčenie jednej ruky.

! Neprekrižujte pásy, môže to spôsobiť tlak na krk dieťaťa.

Použitie ramenných a bočných pásov

! Aby ochránili vaše dieťa pred vypadnutím z kočíka, uistite sa, že sú ramenné a bočné pásy správne nastavené, ihneď po usadení dieťaťa do kočíka.

15 - 1 Kotva ramenného pásu A

15 - 2 Kotva ramenného pásu B

15 - 3 Posuvné nastavenie

Pre väčšie dieťa použite kotvy ramenných pásov A v najvyšších slotoch. Pre menšie dieťa použite kotvy ramenných pásov B do dolných slotov.

Vždy použite slot najbližší výške ramenu dieťaťa. **16**

Použite posuvné nastavenie pre zaistenie správnej dĺžky pásov. **17** - 1

Stlačte tlačidlo **17** - 2, a zároveň ťahajte za bočný pás pre nastavenie jeho správnej dĺžky. **17** - 3.

Nastavenie opierky nôh

Opierku pre nohy môžete nastaviť do 2 pozícií.

Pre nastavenie opierky pre nohy stlačte zároveň obi dve tlačidlá nastavenia výšky nožnej opierky **18** - 1, a otočte opierku nôh smerom hore a lebo dole. **18** - 2

Použitie aretácie predných kolies

Zdvihnute páčky aretácie pre zaistenie smeru pohybu. **19**

Tip Odporúčame používať zaaretovaná kolieska pri prejazde nerovným terénom.

Použitie brzdy

Pre zabrzdzenie zošliapnite brzdový pedál smerom dole. **20** Pre odbrzdzenie dvihnute brzdový pedál smerom hore.

Tip Kočík musí byť zabrzdzený pri usadzovaní a vyberaní dieťaťa.

Tip Vždy používajte brzdú, ak kočík zastavíte a nechávate zastavený.

Tip Pre uistenie, že je brzda správne zaistená, skúste posunúť kočík smerom dopredu aj dozadu.

Tip Brzdový systém čistite pravidelne, aby sa zabezpečila jeho plná funkčnosť. Pozrite si časť o starostlivosti a údržbe.

Použitie striešky

Pre rozloženie striešky posuňte striešku smerom v pred. **21**

Pre zloženie striešky posuňte striešku smerom dozadu. **22**

Zloženie kočíka

Stlačte tlačidlo skladania **23** - 1 a stlačte tlačidlo skladania **23** - 2 Tlačte kočík smerom dopredu pre jeho zloženie.

Zaistite kočík poistkou proti rozloženiu na príslušný diel. **24** - 1 Kompletne zložený kočík je vyobrazený na obrázku. **24**

Použitie prepravného popruhu

Kočík je možné prenášať za prepravný popruh. **25**

Použitie doplnkov

26 - 1 Pláštenka

26 - 2 Moskytiéra

26 - 3 Pult pre rodičov

26 - 4 Výklopný pult

26 - 5 Madlo

Doplňky môžu byť predávané oddelene alebo nemusí byť dostupné v závislosti na regióne.

Použitie s Joie autosedačkou

Pri používaní s Joie autosedačkou Juva dodržujte nasledujúce inštrukcie.

! V prípade akýchkoľvek problémov alebo dotazov k autosedačke si starostlivo prečítajte návod k jej použitiu.

! Neskladajte kočík s pripevnenou autosedačkou, ani pri upevňovaní autosedačky.

Použitie pláštenky

Pre nasadenie pláštenky ju položte cez kočík a potom zapnite 10 háčikov a očiek na pláštenke. **27**

! Pred použitím pláštenky sa uistite, že je chrbtová opierka nastavená do najnižšej polohy a dieťa je pripúťané.

! Po nasadení pláštenky znovu primontujte pult pre rodičov.

! Pri používaní pláštenky skontrolujte ventiláciu.

! Ak je pláštenka na kočíku, dbajte na to, aby nedošlo k jej poškodeniu.

! Ak pláštenku nepoužívate, skontrolujte, či bola suchá a čistá pred zložením.

! Neskladajte kočík s nasadenou pláštenkou.

! Nepoužívajte kočík s dieťaťom a nasadenou pláštenkou v horkom počasí.

Použitie moskytiery

Zakryte kočík moskytierou, ďalej postupujte podľa nasledujúcich pokynov.

1. Nasadte elastický prúžok na háčik na zadnej strane plastu. 28 - 1
2. Obtočte koniec moskytiery okolo hrany opierky nôh a zapnite suchý zips. 28 - 2
3. Opakujte predchádzajúce kroky pre uchytenie moskytiery na druhej strane.

Kompletne nasadená moskytiera je na obrázku 28

Použitie pultu pre rodičov

Nasadte pult na bočné úchyty pultu pre rodičov. 29

! Do pultu nekladajte nijaké predmety, ktoré môžu akokoľvek ohroziť dieťa a lebo kočík.

! Maximálna nosnosť pultu pre rodičov je 1.36kg/3lbs.

Použitie predného pultu

Nastavte predný výklopný pult tak, aby bol presne nad upevňujúcimi komponenty a nasuňte ho smerom na dol.

30 32 Pult môže byť vyklopený na pravej i ľavej strane.

Pre odopnutie pultu stlačte tlačidlo pre vybratie pultu 31 - 1, a potom vyberte pult. 31 - 2

Použitie madla

Nastavte madlo tak, aby bolo presne nad upevňujúcimi komponenty a nasuňte ho smerom na dol. 33 35

Madlo môže byť vybraté na ľavej i pravej strane.

Pre odopnutie madla stlačte tlačidlo 34 - 1 a potom vyberte madlo smerom hore. 34 - 2

Típ Madlo je možné otvoriť pre ľahké usadenie a vybratie dieťaťa.

Starostlivosť a údržba

- 1 Odnímateľná časť poťahu môže byť umytá v studenej vode a usušená.
- 2 Nie je možné ju žehliť. Konštrukciu čistite tak, že ju utriete vlhkým handričkou a mydlom.
- 3 Nepoužívajte saponát ani bielicidlo. Pravidelne kontrolujte, či nie sú niektoré skrutky povolené, či niektoré diely opotrebené, alebo či nie je materiál alebo šitie roztrhnuté.
- 4 Vymeňte alebo opravte poškodené diely podľa potreby. Nadmerné vystavovanie slnečnému žiaru alebo teplu, môže spôsobiť blednutie alebo deformáciu niektorých dielov.
- 5 Ak je kočík vlhký, otvorte striešku a nechajte ho vyschnúť pred uskladnením.
- 6 Ak začnú vrzgať kolieska, použite olej (napr. silikonový olej, olej proti korodovaniu, olej na šijacie stroje). Je dôležité dostať olej na nápravu a do uchytenia kolies 1
7. Ak je brzdový pedál tuhý/ťažko sa zaistuje úplne, pred mazaním najprv opláchnite akékoľvek nečistoty z brzdového systému čistou vodou.
8. Pri používaní kočíka na pláži alebo v oblastiach, kde je veľa prachu/piesku, ho po použití úplne vyčistite, aby ste odstránili piesok a soľ z brzdového mechanizmu a sústavy kolies.

DA Velkommen til Joie!

Tillykke og velkommen til Joie-familien! Vi er så glade for at være en del af din rejse med den lille. Når du bruger din Joie MUZE™, bruger du en klapvogn af høj kvalitet, som er fuldt certificeret og godkendt i henhold til de europæiske standarder EN 1888-1:2018. Dette produkt er beregnet til børn under 15 kg. Du bedes venligst læse denne vejledning omhyggeligt og følg alle trinene, så du sikrer, at dit barn har det behageligt og er ordentligt beskyttet under turen.

VIGTIGT - BEHOLD DENNE BRUGSVEJLEDNING TIL SENERE BRUG.

Besøg os på joiebaby.com, hvor du kan downloade vejledninger og finde flere spændende produkter fra Joie. Garantioplysningerne kan findes på vores hjemmeside på joiebaby.com

Indhold

Billede	1-7
Advarsel	99
Samling af klapvognen	100
Klapvognen foldes ud	100
Forhjulene sættes på	100
Baghjulene sættes på	100
Sådan bruges klapvogne	101
Ryglænet justeres	101
Brug af spændet	101
Brug skulder- og taljeselerne	101
Juster lægstøtten	101
Brug af drejelåsen på forhjulet	102
Brug af bremsen	102
Brug af kalechen	102
Fold klapvognen sammen	103
Brug af bæreremmen	103
Brug af tilbehør	103
Pleje og vedligeholdelse	104

I tilfælde af en nødsituation

I tilfælde af en nødsituation eller ulykker er det vigtigst, at dit barn straks får førstehjælp og lægebehandling.

Produktinformation

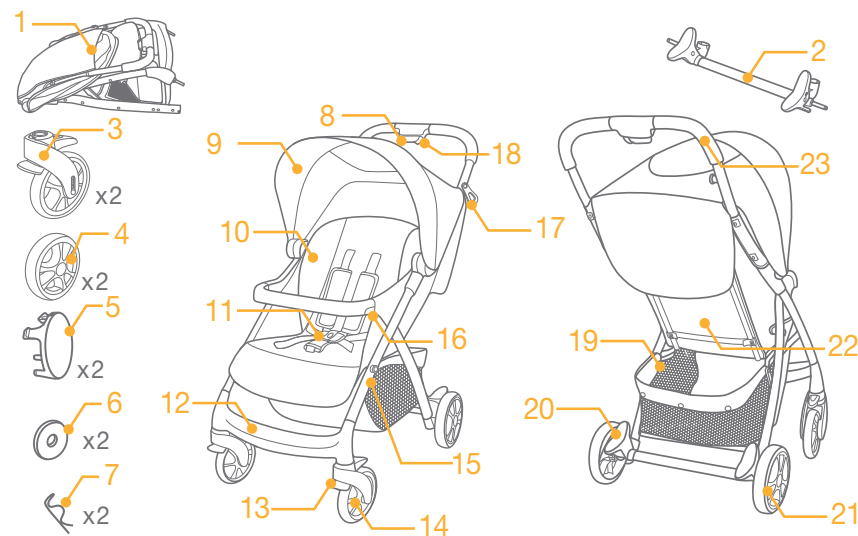
Læs alle instruktionerne i denne vejledning, inden produktet tages i brug. Hvis du har yderligere spørgsmål, bedes du venligst kontakte din forhandler. Nogle funktioner kan variere, afhængig af din model.

Produkt	Klapvogn
Egnet til	Børn under 15 kg (0-36 måneder)
Materialer	Plast, metal, tekstiler
Patentnummer	Produktet er patentanmeldt
Fremstillet i	Kina
Varemærke	Joie
Hjemmeside	www.joiebaby.com
Fabrikant	Allison Baby UK Ltd

Liste over dele

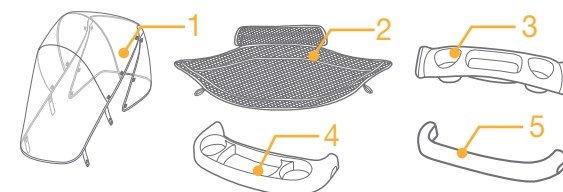
Kontroller, at alle delene følger med, inden du begynder at samle produktet. Hvis der mangler nogen dele, bedes du venligst kontakte din lokale forhandler. Der skal ikke bruges noget værktøj til at samle produktet.

1 Stel	7 Låsestift (x2)	13 Drejelås	20 Bremselang
2 Samling af bagakslen	8 En-hånds foldbart håndtag	14 Forhjul	21 Baghjul
3 Forhjul (x2)	9 Kaleche	15 Låseslag	22 Ryglæn
4 Baghjul (x2)	10 Sædepude	16 Armstøtte	23 Håndtag
5 Hætte (x2)	11 Spænde	17 Opbevaringslås	
6 Spændeskive (x2)	12 Fodstøtte	18 Anden lås	
		19 Opbevaringskurv	



Tilbehør (følger muligvis ikke med)

- 1 Regnslag
- 2 Myggenet
- 3 Forældrebakke
- 4 Drejebare børnebakter
- 5 Armstøtte



ADVARSEL

- ! ADVARSEL - sørg altid for at bruge skridtkombinationen med taljeselen. Det anbefales også at bruge skulderselerne.
- ! ADVARSEL - sørg for, at alle låsene er låst inden brug.
- ! ADVARSEL - for at undgå skade, skal børn holdes væk fra produktet, når det foldes ud og foldes sammen.
- ! ADVARSEL - børn må ikke lege med dette produkt.
- ! Produktet skal samles af voksne.
- ! Klapvognen er beregnet til børn over 15 kg. Hvis barnet vejer mere, kan det beskadige klapvognen.
- ! For at forhindre farlige og ustabile forhold, må der højst lægges 4,5 kg i opbevaringskurven.
- ! Efterlad aldrig et barn uden opsyn. Sørg altid for, at barnet er i syne, når det er i klapvognen.
- ! Der må kun være et barn i klapvognen ad gangen. Der må aldrig hænges punge, indkøbsposer, parceller eller andet tilbehør på håndtaget eller kalechen.
- ! Hvis klapvognen overbelastes, foldes forkert eller bruges med dele fra andre fabrikater, kan det muligvis beskadige den eller gøre den usikker at bruge. Du bedes venligst læse denne brugsvejledning omhyggeligt.
- ! Læs venligst alle instruktionerne i denne vejledning, inden produktet tages i brug. Behold denne brugsvejledning til senere reference. Hvis disse advarsler og instruktioner ikke følges, kan det føre til alvorlige skader eller dødsfald.
- ! Sikkerhedsseler og fastholdelsesordningerne skal bruges korrekt.
- ! For at undgå alvorlig skade, hvis barnet falder eller glider ud af klapvognen, skal sikkerhedsselen altid bruges.
- ! Når klapvognen justeres, skal du sørge for, at barnet ikke kommer i klemme i de bevægelige dele.
- ! Hvis selen ikke bruges, kan barnet glide ind i selerne til benene, og derved blive kvalt.
- ! Klapvognen må aldrig bruges på en trappe eller rulletrapper.
- ! Klapvognen skal holdes væk fra varme genstande, væsker og elektronik.
- ! Læg ikke genstande i forældrebakken, som kan gøre skade på barnet og klapvognen.
- ! Barnet må aldrig stå op i klapvognen eller sidde i klapvognen med hovedet mod klapvognens forende.
- ! Klapvognen må aldrig stilles på veje, skrånninger eller andre farlige områder.
- ! Sørg for, at alle mekanismerne er fastgjorte, inden klapvognen tages i brug.
- ! For at undgå kvælning, må du ikke putte genstande med en snor rundt om barnets hals, hænge snore på dette produkt eller sætte snore fast på legetøj.
- ! For at undgå at klapvognen vælter, må der ikke hænges noget på håndtaget. Løft altid barnet ind og ud af klapvognen.
- ! Klapvognen må ikke løftes, mens barnet er i den.
- ! Der må aldrig være børn i opbevaringskurven.
- ! Børn må aldrig kravle op på klapvognen, da den kan vælte.

- ! For at undgå at fingrene kommer i klemme, skal du være forsigtig, når klapvognen foldes ud og foldes sammen.
- ! Sørg for, at klapvognen er åbnet helt eller foldet helt ud, inden nogen børn kommer i nærheden af den.
- ! Af hensyn til dit barns sikkerhed, skal du sørge for, at alle dele samles og fastgøres ordentligt, inden klapvognen tages i brug.
- ! Sørg for, at fastholdelsesordningen er spændt ordentligt fast, inden brug.
- ! For at undgå kvælning, skal du sørge for, at barnet ikke lukkes inde i kalechen.
- ! Brug altid bremserne, når klapvognen parkeres.
- ! Hvis klapvognen beskadiges eller ødelægges, må den ikke længere bruges.
- ! Klapvognen må kun bruges i almindelig gågang. Dette produkt er ikke beregnet til at løbe med.
- ! For at undgå kvælning, skal plastikposen og alle emballagematerialer fjernes, inden produktet tages i brug. Plastikposen og emballagen skal derefter holdes væk fra babyer og børn.
- ! Dette produkt er ikke beregnet til at løbe eller skøjteløbe med.
- ! Der må højst lægges 1,36 kg i forældrebakken.
- ! På klapvogne, der er beregnet til nyfødte babyer, anbefales det at bruge den mest tilbagelænedede stilling til nyfødte babyer.
- ! Bremsen skal slås til, når barnet lægges i og tages ud af klapvognen.
- ! Barnefastholdelsesordninger, der sættes i dette stel, må ikke bruges i stedet for en barneseng eller en seng. Hvis barnet skal sove, skal det lægges i en barnevognskasse, barneseng eller seng.
- ! Ekstra pleje er nødvendig, hvis produktet bruges i bevægende køretøjer, og barnet må ikke efterlades uden opsyn, også selvom bremsen er låst fast.

Samling af klapvognen

Læs alle instruktionerne i denne vejledning, inden produktet samles og tages i brug.

Klapvognen foldes ud

Hvis klapvognen er låst som vist i **2** - 1, skal opbevaringslåsen **2** - 2 tages af låsebeslaget **2** - 3 og løft derefter håndtaget for at åbne klapvognen. Når du hører en kliklyd, er klapvognen foldet helt ud. **2**

- ! Sørg for, at klapvognen er åbnet helt, inden den tages i brug.

Forhjulene sættes på

Sæt forhjulene på forbenene. Sørg for, at hjulene fastgøres ordentligt ved at trække i hjulsamlingen. **3**

Forhjulene kan skilles ad ved at trække udløserknapperne bagud. **4**

Baghjulene sættes på

Baghjulene samles ved at følge disse trin.

1. Tag de to hætter af bagakslen, inden baghjulene sættes på **5** - 1
2. Sæt bagakslen på bagbenene **5**. Kontroller, at bagakslen sidder ordentligt fast ved at trække i den.
3. Sæt baghjulet og spændeskiven på den ene side af bagakslen. **6**
4. For at spænde hjulet og spændeskiven fast på akslen, skal du stikke den lige side af spændestiften gennem hullet på akslen. **7**
Den fastgjorte spændestift kan ses på billede **8**

- ! Den runde del af spændestiften skal gå rundt om akslens yderside.
 - ! Sørg for, at spændeskiven sidder mellem spændestiften og hjulet.
5. Sørg for, at tapperne på hættten passer med hullerne på hulet, og tryk hættten på hjulet, så den dækker for spændeskiven og spændestiften. **9**

Det færdigsamlede baghjul kan ses på billede . **10**

Sådan bruges klapvognen

Ryglænet justeres

Ryglænet kan justeres til 4 forskellige vinkler.

For at læne ryglænet tilbage, skal du trykke på håndtaget bag på sædet **11** og derefter trække ryglænet tilbage. **12** For at hæve ryglænet, skal det blot trykkes opad.

! Sørg for, at ryglænet er justeret korrekt, inden klapvognen tages i brug.

Brug af spændet

Sådan låses spændet op

Tryk på knappen i midten for at låse spændet op. **13**

Sådan låses spændet

Sørg for, at taljeselen passer med skulderspændet, som vist i **14 - 1** og sæt den derefter i spændet på midten. **14 - 2**

Når du hører en kliklyd, er spændet låst fast. **14 - 3**

- ! For at undgå alvorlig skade, hvis barnet falder eller glider ud af klapvognen, skal barnet altid spændes fast med sikkerhedsselen.
- ! Sørg for at barnet er spændt ordentligt fast. Afstanden mellem barnet og skulderselerne skal være ca. den samme som tykkelsen af en hånd.
- ! Skulderselerne må ikke sættes på tværs over hinanden. Dette kan trykke for meget på barnets nakke.

Brug skulder- og taljeselerne

! For at beskytte dit barn mod at falde ud, skal du sørge for, at skulder- og taljeselerne er i den rigtige højde og har den rigtige længde, når barnet puttes i klapvognen.

- 15 - 1** Spænde A på skuldersæle
- 15 - 2** Spænde B på skuldersæle
- 15 - 3** Juster spændet

Til større børn skal du bruge spænde A på skulderselen og de øverste huller. Til mindre børn skal du bruge spænde B på skulderselen og de nederste huller.

Stik spænderne på skulderselerne i hullerne, der er tættest på barnets skulderhøjde. **16**

Brug spændet til at justere selens længde. **17 - 1**

Tryk på knappen **17 - 2**, samtidig med at du trækker taljeselen til den ønskede længde. **17 - 3**.

Juster lægstøtten

Lægstøtten har 2 indstillinger.

For at justere lægstøtten, skal du trykke på justeringsknapperne under lægstøtten **18 - 1**, og derefter dreje lægstøtten nedad eller opad. **18 - 2**

Brug af drejelåsen på forhjulet

Træk drejelåsen på forhjulet opad for at låse hjulets retning. **19**

Tip Det anbefales at bruge drejelåsen på ujævne overflader.

Brug af bremsen

For at låse hjulene, skal du træde en af bremsstængerne tilbage, som vist på billede. **20** Træd dem fremad igen for at frigøre hjulet.

Tip Bremsen skal slås til, når barnet lægges i og tages ud af klapvognen.

Tip Sørg altid for at bruge bremsen, når klapvognen står stille.

Tip For at sikre, at bremsen er slået helt til, skal du forsigtigt skubbe klapvognen frem og tilbage, inden du slipper håndtaget.

Tip Rengør bremsesystemet regelmæssigt for at sikre, at det virker ordentligt. Se afsnittet om pleje og vedligeholdelse.

Brug af kalechen

For at åbne kalechen, skal den trækkes mod forenden. **21**

For at folde kalechen sammen, skal den trækkes mod bagenden. **22**

Fold klapvognen sammen

Tryk på den anden lås **23 - 1** og klem det foldbare en-håndshåndtag **23 - 2** Tryk klapvognen fremad for at folde den sammen. Lås klapvognen ved at låse opbevaringslåsen på låsebeslaget. **24 - 1** hvorefter klapvognen er foldet helt sammen og låst. Klapvognen er nu foldet helt sammen og låst. **24**

Brug af bæreremmen

Hold godt fast i bæreremmen, når klapvognen bæres. **25**

Brug af tilbehør

- 26 - 1** Regnslag
- 26 - 2** Myggenet
- 26 - 3** Forældrebakke
- 26 - 4** Drejebar børnebakke
- 26 - 5** Armstøtte

Tilbehøret sælges muligvis separat eller er muligvis ikke tilgængeligt i dit område.

Brug med Joie autostol Juva

Ved brug med Joie autostol Juva, henvises til følgende instruktioner.

- ! Hvis du oplever problemer med at bruge autostolen, henvises til autostolens egen brugsanvisning.
- ! Fold ikke klapvognen, når autostolen stadig er fastgjort.

Brug af regnslaget

For at sætte regnslaget på, skal det først lægges over klapvognen, og spænd derefter de 10 burrebånd på regnslaget. **27**

- ! Før du bruger regnslaget, skal du sørge for, at ryglænet er lænet helt tilbage og at barnefastholdelsesanordningen er spændt ordentligt fast.
- ! Når regnslaget er sat på, skal forældrebakken sættes på håndtaget igen.
- ! Når du bruger regnslaget, skal du altid sørge for, at der er ordentlig ventilation.
- ! Hvis regnslaget ikke skal bruges, skal du sørge for, at regnslaget er blevet rengjort og tørret, inden det foldes sammen.
- ! Hvis regnslaget sidder på klapvognen, skal det altid tages af, så det ikke rives i stykker.
- ! I varmt vejr må der ikke være børn i klapvognen med regnslaget på.
- ! Hvis din klapvogn bruges på stranden, skal den efterfølgende rengøres helt for sand og salt i mekanismerne og hjulsamlingerne.

Brug af myggenettet

Tildæk klapvognen med myggenettet. Nedenstående trin beskriver hvordan myggenettet sættes fast.

1. Sæt elastikken på krogen bag på plastiksiden. **28** - 1
2. Vikl den nederste kant omkring fodstøtten, og fastgør den med velcro®. **28** - 2
3. Gentag trinene ovenfor for at sætte myggenettet fast på modsatte side.

Det fastgjorte myggenet er vist på billede **28**

Brug af forældrebakken

For at samle forældrebakken, skal den sættes på bakkebeslagene på begge sider af håndtaget. **29**

- ! Læg ikke genstande i forældrebakken, som kan gøre skade på barnet og klapvognen.
- ! Der må højst lægges 1,36 kg i forældrebakken.

Brug af den drejebare børnebakke

Sørg for, at kanten på den drejebare børnebakke passer med delen, den skal sættes på, og tryk derefter børnebakken ned, indtil den er på plads. **30** **32** Den drejebare børnebakke kan trækkes op fra både venstre og højre side.

For at åbne den drejebare børnebakke, skal du trykke på frigørelsesknapperne **31** - 1, og derefter trække bakken op. **31** - 2

Brug af armstøtten

Sørg for, at enden på armstøtten passer med delen, den skal sættes på, og tryk derefter armstøtten ned, indtil den er på plads. **33** **35**

Armstøtten kan trækkes op fra både venstre og højre side.

For at åbne armstøtten, skal du trykke på frigørelsesknappen **34** - 1 og derefter trække armstøtten op. **34** - 2

Tip Armstøtten kan åbnes, så barnet nemt kan lægges i og tages ud af klapvognen.

Pleje og vedligeholdelse

1. Flytbart sædepude, der kan vaskes i koldt vand og lufttørres. Brug ikke blegemiddel.
2. Klapvognens stel må kun rengøres med almindelig sæbe og varmt vand. Der må ikke bruges blegemidler eller rengøringsmidler.
3. Kontroller regelmæssigt din klapvogn for løse skruer, slidte dele, revnede materialer eller syninger. Udskift eller reparer delene efter behov.
4. Nogle af delene på klapvognen kan falme eller blive skæve, hvis de udsættes for for meget sol eller varme.
5. Hvis klapvognen bliver våd, skal kalechen åbnes og klapvognen skal tørre ordentligt før opbevaring.
6. Hvis hjulene knirker, skal du bruge en let olie (f.eks. silicium på spray, rustbeskyttende olie eller symaskineolie). Det er vigtigt at få olien ind til akslen og hjulsamlingen. **1**
7. Hvis bremsepedalen er stiv/svær at låse fast, skylles der sandsynligvis snavs fra bremsesystemet. Rengør først med rent vand inden smøring.
8. Hvis du bruger din klapvogn på stranden eller områder med meget støv/sand, skal du rengøre din klapvogn efter brug for at fjerne sand og salt fra bremsemekanismerne og hjulsamlingerne.

KR 조이 제품을 구매해 주셔서 감사합니다

조이의 가족이 되신 것을 축하드립니다. 귀여운 아이와 함께 하는 여행에 조이도 함께 할 수 있어서 매우 영광입니다. 조이 유모차는 유럽 안전인증 EN 1888-1:2018 와 한국 KCL 어린이특별법 안전기준을 모두 준수하는 고품질의 제품으로 안전하게 아이와 함께 여행하실 수 있습니다. 본 제품은 약 15kg 이하의 아이에게 적합합니다. 이 사용설명서를 잘 읽고 단계별로 맞게 아이에게 최상의 안전과 편안함을 제공하여 주시길 바랍니다.

중요 - 추후 사용을 위하여 본 매뉴얼을 꼭 보관하여 주시길 바랍니다.

Joiebaby.co.kr 을 방문하시면, 다양한 조이 제품 및 매뉴얼을 다운 받으실 수 있습니다. 워런티 관련 사항은 joiebaby.com 에서 확인 바랍니다.

목차

참고 그림	1-7
주의사항	107
유모차 조립 방법	108
유모차 펴기	108
앞 바퀴 조립	108
뒷 바퀴 조립	108
유모차 사용하기	109
등받이 각도 조절하기	109
안전벨트 버클 사용하기	109
어깨와 허리 안전벨트 사용하기	109
발 받침대 조절하기	109
앞바퀴 회전 고정 장치	110
브레이크 사용하기	110
캐노피 사용하기	110
유모차 접기	110
캐리 스트랩 사용하기	111
액세서리 사용하기	111
관리 및 유지	112

응급 상황

응급 상황 또는 사고가 발생하였을 시에는 아이에게 즉시 응급조치를 취하고 의학적 치료를 받을 수 있게 하는 것이 가장 중요합니다.

제품 정보

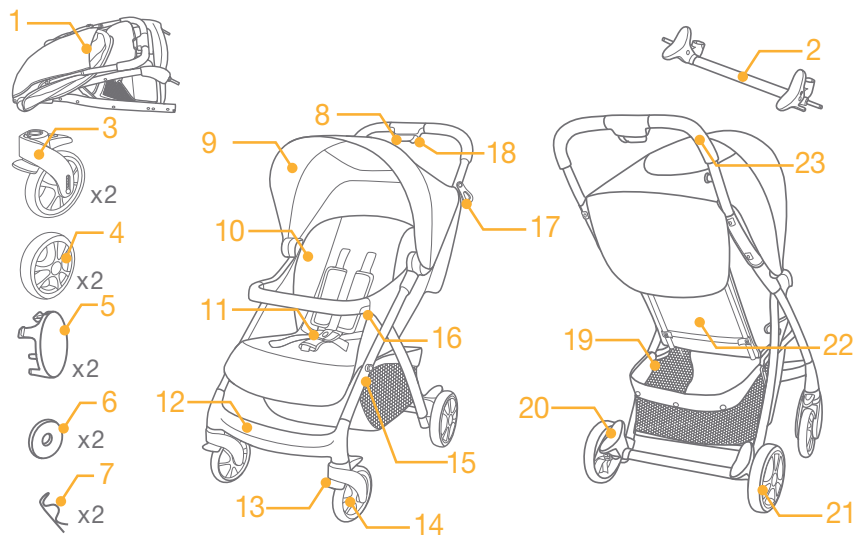
이 제품을 사용하기 전에는 반드시 설명서에 나와 있는 지시 사항을 모두 숙지하여 주시길 바랍니다. 이 외에 궁금하신 사항이 있으시면 판매처나 AS센터로 연락 주시길 바랍니다. 모델에 따라 일부 특징이 다를 수 있는 점 양해 바랍니다.

제품	유모차
사용기간	몸무게 15kg이하 (신생아-36개월)
재료	플라스틱, 메탈, 패브릭
특허번호	진행 중
생산국	중국
브랜드명	Joie
웹사이트	www.joiebaby.co.kr
제조사	Allison Baby UK Ltd
고객센터 에이원	1800-8561

부품리스트

조립 전에 빠진 부품이 없는지 먼저 확인 바라며, 빠진 부품이 있을 시에는 판매처나 AS센터로 연락 주시길 바랍니다. 조립 시 별도의 공구가 필요하지 않습니다.

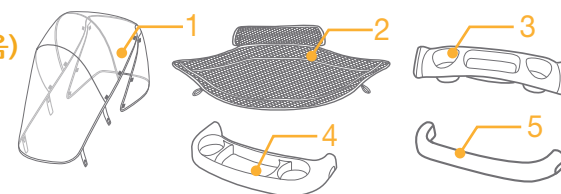
- | | | | |
|------------|----------|-------------|------------|
| 1 유모차 프레임 | 7 핀(두개) | 13 회전잠금장치 | 19 보관바구니 |
| 2 뒷바퀴 축 | 8 폴딩 버튼 | 14 앞 바퀴 | 20 브레이크 레버 |
| 3 앞 바퀴(두개) | 9 캐노피 | 15 폴딩락홀더 | 21 뒷 바퀴 |
| 4 뒷 바퀴(두개) | 10 시트 패드 | 16 안전바 잠금장치 | 23 핸들 |
| 5 바퀴 캡(두개) | 11 안전 버클 | 17 폴딩락 | |
| 6 워셔(두개) | 12 발받침 | 18 이중 잠금 장치 | |



액세서리

(포함되지 않을 수도 있음)

1. 레인 커버
2. 모기장
3. 부모용 트레이
4. 아이용 트레이
5. 안전가드



액세서리는 별도 판매 되거나 지역에 따라 구매 불가 할 수 있습니다.

경고

- ! 경고 항상 가랑이 벨트와 허리 벨트를 동시에 사용하여 주시길 바랍니다. 또한 어깨 벨트도 함께 사용하시길 바랍니다.
- ! 경고 사용전에 항상 모든 잠금장치가 잘 맞물려 있는지 확인하여 주시길 바랍니다.
- ! 경고 부상을 피하기 위해서 유모차를 접고 펼 때에는 아이가 가까이 오지 못하게 해주십시오.
- ! 경고 아이가 제품을 가지고 놀지 않도록 해주십시오.
- ! 유모차 조립은 어른이 직접해주셔야 합니다.
- ! 유모차를 15kg 이상의 아이가 사용할 경우 파손이 될 수 있습니다.
- ! 불안정하거나 위험한 상황을 피하기 위해 장바구니에는 4.5kg이상을 적재하지 마십시오.
- ! 절대 아이를 유모차와 혼자 두지 마시고, 반드시 아이가 유모차에 있는 동안에는 어른의 보호 아래에 두시길 바랍니다.
- ! 이 제품에는 한 아이 이상 태우지 마십시오. 핸들이나 캐노피에 가방, 쇼핑백, 물건 그 밖에 다른 액세서리를 올려 놓지 마십시오.
- ! 초과 적재, 부정확한 폴딩 또는 다른 제조사로부터 제작된 부품 사용은 유모차의 손상 또는 고장의 원인이 되며 안전성의 문제가 됩니다. 매뉴얼을 숙지하여 주시길 바랍니다.
- ! 유모차를 사용하기 전에 반드시 매뉴얼을 잘 읽어 주시길 바랍니다. 또한 추후 사용을 위해서 매뉴얼을 잘 보관하여 주시길 바랍니다. 본 매뉴얼의 지시나 주의 사항을 따르지 않을 경우, 아이가 심각한 부상 또는 사망에 이를 수 있습니다.
- ! 안전벨트와 안전장치는 반드시 정확한 방법에 따라 사용되어야 합니다.
- ! 낙상이나 미끄러짐 등 심각한 부상을 막기 위해서 항상 안전벨트를 사용하여 주시길 바랍니다.
- ! 유모차 장치 조절 시, 주행 시 움직이는 부위에 아이의 몸이 끼이지 않도록 유의하여 사용하여 주시길 바랍니다.
- ! 안전벨트를 사용하지 않으면, 아이가 유모차 다리사이에 미끄러져 끼일 수 있습니다.
- ! 절대 유모차를 계단이나 에스컬레이터에서 사용하지 마십시오.
- ! 유모차를 화기물, 높은 온도로 발열하는 물체, 액체 또는 전기제품 곁에 두지 마십시오.
- ! 아이에게 위험 할 수 있는 물건을 컵홀더 트레이 위에 두지 않습니다.
- ! 절대로 아이가 유모차에서 일어나거나 머리를 유모차 밖으로 내밀지 않도록 주의하여 주십시오.
- ! 절대로 차도나 내리막길 또는 위험한 장소에 유모차를 두지 않도록 합니다.
- ! 유모차를 사용하시기 전에 반드시 모든 부분들이 잘 조립 되어 있는지, 잘 고정 되어 있는지를 확인하여 주시길 바랍니다.
- ! 아이의 목졸림을 방지하기 위해 아이의 목 근처나 주위에 끈이 있는 장난감 또는 물건 등을 두지 마십시오.
- ! 유모차가 기울지 않게 많은 물건 등을 핸들에 걸지 마십시오.
- ! 아이가 유모차에 있는 동안 절대로 유모차를 들지 마십시오.
- ! 장바구니 내에 아이를 태워 이동하는 용도로 사용하지 마십시오.
- ! 유모차가 기울지 않게 절대 아이가 유모차에 기어 오르게 하지 마십시오.
- ! 손가락 끼임 현상을 막기 위해 유모차를 접고 펼칠 때 주의 하시길 바랍니다.
- ! 유모차가 완전히 접혀있는지 펼쳐져 있는지를 확인한 후에 아이가 유모차 근처로 올 수 있게 합니다.

게 합니다.

- ! 아이의 안전을 위해서 유모차 사용 이전에 반드시 모든 부품이 정확히 조립되고 고정되어 있는지 확인하여 주시길 바랍니다.
- ! 인펀트 카시트를 유모차와 함께 결합하여 사용하실 때에는 안전 고정 장치가 잘 결합되어 있는지 반드시 확인하여 주시길 바랍니다.
- ! 목졸림을 막기 위해 캐노피로부터 아이가 멀리 있는지 반드시 확인하여 주십시오.
- ! 유모차를 정차해 두실 때에는 반드시 브레이크를 고정시켜 주시길 바랍니다.
- ! 유모차가 손상을 입거나 부서졌다면 즉시 사용을 중지하여 주시길 바랍니다.
- ! 유모차는 반드시 걷는 속도로 사용하여 주시길 바랍니다. 이 제품은 달리기를 위해 만들어 지지 않았습니다.
- ! 질식사의 위험을 피하기 위해, 사용전에 반드시 모든 비닐 포장을 제거해 주시길 바랍니다. 또한 비닐 포장은 아이의 손에 닿지 않는 곳으로 치워주시길 바랍니다.
- ! 이 제품은 달리거나 활주에 적합하지 않습니다.
- ! 부모용 트레이에는 최고 1.36kg까지만 물건을 올려 두시길 권장하여 드립니다.
- ! 이 제품은 신생아부터 사용할 수 있도록 디자인 되었으며, 신생아를 위해서는 최대 높임 각도로 조절하여 사용하여 주시길 바랍니다.
- ! 아이를 유모차에 태우거나 내릴 때에 브레이크가 잠긴 상태로 사용하여 주시길 바랍니다.
- ! 본 유모차를 요람이나 침대 대용으로 사용하지 않습니다. 아이가 수면이 필요할 시에는 반드시 편안하고 안정적인 요람이나 침대에 눕혀주시길 바랍니다.
- ! 이동 중인 차량에서 사용 시 특별 주의가 필요하며 브레이크가 걸려 있어도 어린이를 혼자 두어서는 안 됩니다.

유모차 조립 방법

이 제품을 사용하기 전에 반드시 매뉴얼을 모두 읽어주시길 바랍니다.

유모차 펴기

만약에 유모차가 그림 ② - 1 과 같이 잠겨 있다면, 폴딩락을 그림 ② - 2 와 같이 그림 ② - 3 으로부터 분리하여 주신 다음, 핸들을 위로 당겨서 유모차를 펼쳐주시길 바랍니다. "딸깍" 소리가 난다면 유모차가 완전히 펼쳐진 것 입니다. ② ! 다음 단계를 위해서 유모차가 완벽하게 펼쳐졌는지 확인하시길 바랍니다.

앞 바퀴 조립

유모차의 앞 프레임에 앞 바퀴를 조립합니다. 조립 후에는 앞바퀴를 당겨서 확실히 조립이 되었는지 확인합니다. ③

앞 바퀴 뒤쪽의 버튼을 누르시면 앞 바퀴를 분리 하실 수 있습니다. ④

뒷 바퀴 조립

아래의 설명에 따라서 뒷 바퀴를 조립합니다.

1. 뒷 바퀴를 조립하기 전에 뒷 바퀴 축의 양쪽 끝에 있는 커버를 벗겨 줍니다. ⑤ - 1
2. 유모차 뒷 프레임에 브레이크 프레임에 결합 해주십시오. ⑤ 브레이크 프레임을 잡아당겨서 확실히 조립이 되었는지 확인 합니다.
3. 뒷 바퀴와 와셔를 뒷바퀴 프레임 한쪽에 함께 끼웁니다. ⑥

4. 뒷 바퀴 프레임에 바퀴와 와셔를 잘 끼워 넣은 다음에 바퀴 정 가운데 사이로 튀어 나온 축 구멍에 핀을 끼워 넣습니다. ⑦ 핀을 그림 ⑧ 같이 끼워 넣습니다

- ! 핀의 구부러진 부분이 반드시 축의 바깥 부분으로 향하게 끼워 넣어야 합니다.
- ! 반드시 와셔가 핀과 바퀴 중간에 있어야 합니다.

5. 바퀴 정가운데 사이로 튀어나온 축 구멍부분에 바퀴캡을 끼워 와셔와 핀이 보이지 않게 해줍니다. ⑨

그림 10과 같이 뒷바퀴 조립을 완성합니다 ⑩.

유모차 사용하기

등받이 각도 조절하기

등받이 각도 조절
4단계 각도 조절.

등받이 각도를 조절하기 위해서는 시트 뒷면에 있는 각도조절 핸들을 손으로 꼭 쥐어주시길 바랍니다. ⑪ 그리고 등받이를 아래로 잡아 당깁니다. ⑫ 등받이를 세우기 위해서는 등받이를 밀어 주면 됩니다.

! 올바른 사용을 위해 등받이가 각각의 단계에 잘 고정 되어 있는지 확인하여 주시길 바랍니다.

안전벨트 버클 사용하기

안전벨트 분리하기

안전벨트 버클의 중앙에 있는 버튼을 눌러서 풀러줍니다. ⑬

안전벨트 채우기

⑭ - 1 과 같이 어깨벨트의 버클과 허리벨트의 버클을 조립하여 주시고, ⑭ - 2 와 같이 버클의 가운데 부분에 클럭하여 끼워 넣습니다.

⑭ - 3 과 같이 "딸깍"소리가 나면 안전하게 끼워진 것입니다.

! 떨어지거나 미끄러져서 다치는 것을 방지하기 위해서는 항상 벨트가 바르게 채워져 있는지 확인하시길 바랍니다.

! 아이가 편안하게 있는지 확인해야 합니다. 아이의 어깨와 벨트 사이의 간격이 손 두께 정도의 여유 공간이 있어야 합니다.

! 어깨 벨트를 교차하여 사용하지 마십시오. 이는 아이의 목을 압박할 수 있습니다.

어깨벨트 & 허리벨트 사용하기

! 아이가 떨어지지 않게 보호하기 위해서는 아이를 시트에 앉힌 다음 어깨 벨트와 허리 벨트의 길이가 아이에게 맞는 지 확인하셔야 합니다.

⑮ - 1 어깨 벨트 앵커 A

⑮ - 2 어깨 벨트 앵커 B

⑮ - 3 길이 조절장치

큰 아이를 위해서는 어깨 벨트 앵커 A를 사용하고, 높은 위치의 어깨 벨트 슬롯을 사용하여 주시길 바랍니다. 작은 아이를 위해서는 어깨 벨트 앵커 B를 사용하고, 낮은 위치의 어깨 벨트 슬롯을 사용하여 주시길 바랍니다.

슬롯 중에 하나에 어깨 벨트를 끼워 넣으실 때에는 아이의 어깨 높이에 가장 가까운 슬롯을 사용하여 주시길 바랍니다. ⑯ 길이 조절 장치를 사용해서서 어깨 벨트의 길이를 조절하여 주시길 바랍니다. ⑰ - 1

⑰ - 2 의 버튼을 누르고 적절한 허리 벨트 길이조절을 위해 ⑰ - 3 의 끈을 잡아당겨 주시길 바랍니다.

발받침 조절

발받침은 2단계로 조절 가능합니다.

발받침을 조절하기 위해서는 ⑱ - 1 과 같이 발받침 양쪽 아래에 있는 버튼을 누르셔서, 원형을 그리듯이 위로 아래로 조절하여 주시길 바랍니다. ⑱ - 2

앞바퀴 회전 고정 장치

앞바퀴 회전 고정 장치를 위로 올려주시면 앞 방향으로 바퀴가 고정 됩니다. ⑲

Tip 지면이 고르지 않을 경우 앞바퀴 회전 고정 장치 사용을 권해드립니다.

브레이크 사용

바퀴를 고정하기 위해서는 ⑳ 같이 고정장치를 밟아서 뒤로 젖혀지게 합니다. 고정장치를 밟아 앞으로 젖혀지게 하시면 바퀴고정장치가 풀립니다.

Tip 아이를 유모차에 태우고 내릴 때에는 반드시 그림 20과 같이 브레이크 장치를 잠궤주시길 바랍니다.

Tip 유모차가 정차하여 있을 때에는 항상 브레이크 장치를 잠궤주시길 바랍니다.

Tip 브레이크 장치가 완전하게 잠겼는지 확인 할 때에는 핸들을 풀어주기 전에 유모차를 부드럽게 앞으로 밀어서 확인하여 주시길 바랍니다.

Tip 브레이크 장치를 주기적으로 청소하여 작동상 완전히 문제가 없도록 하십시오. 관리 및 유지 관리 섹션을 참조 하십시오.

캐노피 사용하기

캐노피를 열고 앞으로 잡아당겨 줍니다. ㉑

캐노피를 뒤쪽으로 접어줍니다. ㉒

유모차 접기

㉓ - 1과 같이 이중잠금장치를 풀고 폴딩 버튼을 ㉓ - 2와 같이 꼭 쥐어주시길 바랍니다. 손잡이를 앞으로 밀어줍니다. ㉔ - 1과 같이 폴딩락을 폴딩락 걸이에 걸어 주시길 바랍니다. 유모차가 완전히 잠긴채로 접으면 그림 ㉔ 와 같습니다. ㉓ - 1

캐리 스트랩 사용하기

캐리 스트랩을 손으로 꼭 쥐시면 ㉕ 와 같이 이동하실 수 있습니다.

악세서리 사용하기

㉖ - 1 레인커버

㉖ - 2 모기장

㉖ - 3 부모용트레이

㉖ - 4 아이용트레이

㉖ - 5 안전가드

악세서는 별도 판매 될 수 있으며, 지역에 따라 판매하지 않을 수 있습니다.

조이 카시트 사용

조이 켄 (Juva) 카시트와 사용 할 경우 아래 지시사항을 따라 주시기 바랍니다.

! 신생아 카시트 사용중 궁금한 사항이 생기시면, 해당 제품의 매뉴얼을 참고 바랍니다.

! 카시트가 장착된 상태에서 유모차를 접지 마십시오.

레인커버 사용하기

레인커버를 사용하기 위해서는 유모차 전체를 레인커버로 덮어 주신 다음 10쌍의 고리와 걸이를 모두 연결하여 주시길 바랍니다. 27

- ! 레인커버를 사용하기 전에는 반드시 등받이가 가장 평평한 상태에서 아이의 안전벨트가 올바르게 착용되어 있는지를 확인하시고 사용하시길 바랍니다.
- ! 레인커버를 사용할 때는 통풍이 원활한지 잘 확인해 보시길 바랍니다.
- ! 레인커버를 사용하지 않으실 때에는 접기 전에 반드시 레인커버가 잘 건조되어 있는지, 깨끗한 상태인지를 확인하여 주시길 바랍니다.
- ! 레인커버를 사용할 때에는 항상 찢어지거나 구멍이 나지 않도록 보호하여 주시길 바랍니다.
- ! 절대로 더운 날씨에 레인커버를 설치한 유모차에 아이를 두지 마십시오.
- ! 해변에서 유모차를 사용한 후에는 반드시 모래와 바닷물을 유모차의 작동 부위 및 바퀴 조립부위에서 제거하여 주시길 바랍니다.

모기장 사용하기

유모차를 모기장으로 덮어 주시길 바랍니다. 모기장 설치를 위해서 아래 순서를 따라 주시길 바랍니다.

1. 모기장에 연결되어 있는 고무줄을 유모차의 각 고리에 걸어 줍니다. 28 - 1
2. 발판 아래 모서리부분까지 모기장으로 감싸주신다음 벨크로를 붙여주시길 바랍니다. 28 - 2
3. 위의 순서를 반복하여 모기장의 반대편도 설치하여 주시길 바랍니다.

28 과 같이 모기장을 설치하여 주시길 바랍니다.

컵홀더 트레이 사용하기

트레이를 조립하기 위해서는 핸들의 양쪽 고리에 트레이를 끼워넣어주십시오. 29

- ! 아이에게 위험할 수 있는 물건 등을 트레이 위에 올려두지 마십시오.
- ! 트레이는 최고 1.36kg까지만 물건을 올려 두시길 권장해 드립니다.

아이용 트레이 사용하기

아이용 트레이 설치 가능한 양쪽 고리에 트레이를 걸어 줍니다. 30 32

아이용 트레이는 양쪽 중 한쪽만 잠금 장치를 풀어주시면 한쪽만 위로 올릴 수 있습니다.

아이용 트레이를 해제하기 위해서는 해제 버튼 그림 31 - 1 을 눌러주시고 회전하듯이 위로 올려주시면 됩니다. 31 - 2

안전가드 사용하기

안전가드의 양쪽 끝을 양쪽 걸이에 나란히 놓은 다음 위에서 아래로 눌러 끼워서 조립합니다. 33 35

안전가드는 어느 한쪽만 분리하여 위로 열 수 있습니다.

안전가드를 해제하기 위해서는 그림 34 - 1 과 같이 해제 버튼을 눌러주신다음 위로 올려주시면 됩니다. 34 - 2

Tip 안전가드는 아이를 쉽게 태우고 내리기 위해서 열어서 사용할 수 있습니다.

관리 및 유지

1. 분리 가능 한 시트패드는 차가운 물로 세탁하여 그대로 자연 건조해 주시길 바랍니다. 표백제를 사용하지 마십시오.
2. 유모차 프레임 세척 시, 가정용 비누와 따뜻한 물을 사용해 주시길 바랍니다. 표백제 또는 세제를 사용하지 마십시오.
3. 수시로 느슨해진 나사, 마모된 부품 또는 찢어진 바느질이나 부품이 없는지 확인하여 주시길 바랍니다.
4. 만약 유모차가 지나치게 강한 햇빛이나 열에 노출되어 있다면 색이 바라거나 휘어지는 부분이 생길 수 있습니다.
5. 만약 유모차가 젖었다면, 보관 전에 캐노피를 열어 주시고 완전히 마를 수 있도록 하여 주십시오.
6. 만약 바퀴에서 소리가 난다면, 가벼운 소재의 기름 (예: 실리콘 스프레이, 녹방지기름 또는 재봉틀 기름)을 사용하여 주십시오. 바퀴 축과 바퀴 조립 부분에 오일을 칠해 주시는 것이 중요합니다. 1
7. 페달이 뽁뽁하거나 단단해서 브레이크를 완전히 걸 수 없을 경우 윤활유를 바르기 전에 먼저 깨끗한 물로 브레이크 장치에 남아 있는 때를 닦아내십시오.
8. 유모차를 해변 또는 먼지/모래가 많은 곳에서 사용할 경우 사용 후 브레이크 장치 및 바퀴에 낀 모래와 소금이 제거하도록 완벽하게 깨끗이 청소하십시오.

AR مرحباً بك في عالم Joie

تهانينا على انضمامك إلى عائلة Joie. إننا في غاية السعادة لاشتراكنا في رحلتك مع طفلك الصغير. وأثناء القيادة ضمن نظام "MUZE" الذي تقدمه Joie أقصى درجات السلامة لعربة أطفال عالية الجودة وأمنة بالكامل. كما أنه مطابق لمعايير السلامة الأوروبية رقم EN 1888-1:2018، ويرجى العلم بأن هذا المنتج يمكن استخدامه مع الأطفال الذين يقل وزنهم عن 15 كجم. الرجاء قراءة هذا الدليل بعناية واتباع كل خطوة فيه لضمان قيادة مريحة وتوفير أفضل حماية لطفلك.

مهم يرجى الاحتفاظ بهذه الإرشادات للرجوع إليها مستقبلاً.

تفضل بزيارتنا في موقع الويب Joiebaby.com لتنزيل أدلة التعليمات والاطلاع على مزيد من منتجات Joie الرائعة. لمعلومات عن الضمان، يُرجى زيارة موقع الويب الخاص بنا على Joiebaby.com

المحتويات

الأشكال

تحذير

تركيب عربة الأطفال

فتح العربة

تركيب العجلات الأمامية

تركيب العجلات الخلفية

تشغيل العربة

ضبط الانحناء

استخدام الإيزيم

استخدام أحزمة الكتف والخصر

ضبط مسند الساق

استخدام القفل الدوار الأمامي

استخدام المكابح

استخدام الغطاء

طّي العربة

استخدام شريط الحمل

استخدام الملحقات

العناية والصيانة

الطوارئ

في حالات الطوارئ أو الحوادث، يجب العناية بالاطفال عن طريق القيام بالإسعافات الأولية وتقديم العلاج الطبي فوراً.

معلومات المنتج

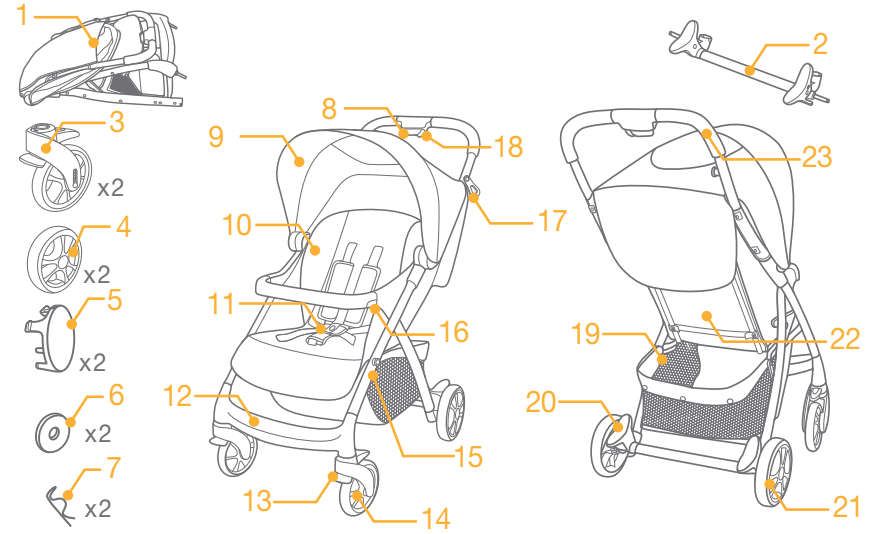
اقرأ كل التعليمات الواردة في هذا الدليل قبل استخدام هذا المنتج. إذا كنت لديك أي استفسارات أخرى، فإلحاح استشارة الموزع. قد تختلف بعض الميزات حسب الطراز.

عربة الأطفال للأطفال الذين يقل وزنهم عن 15 كجم (يبلغون 36 شهراً)	المنتج الغثة المستهدفة
بلاستيك، معدن، قماش	الخامات
في انتظار حصوله على براءة اختراع	رقم براءة الاختراع
الصين	صنع في
Joie	اسم الماركة
www.joiebaby.com	موقع الويب
Allison Baby UK Ltd	المصنّع

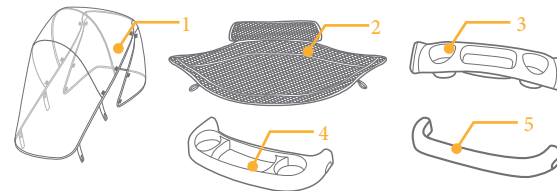
قائمة الأجزاء

تأكد من توفر كل الأجزاء قبل التجميع. في حالة فقد أحد مكونات العربة، يرجى الاتصال بالموزع المحلي. لا داع لاستخدام أية أدوات لتركيب العربة.

1 إطار العربة	2 مكونات المحور الخلفي	3 عدد 2 عجلة أمامية	4 عدد 2 عجلة خلفية	5 عدد 2 غطاء
6 عدد 2 جلبة	7 عدد 2 مسمار	8 مقبض الطي اليدوي	9 الغطاء العلوي	10 وسادة المقعد
11 إيزيم	12 مسند القدم	13 قفل دوار	14 عجلة أمامية	15 مزلاج منطقة التخزين
16 ذراع التحرير	17 مزلاج التخزين	18 قفل ثانوي	19 سلة التخزين	20 ذراع المكبح



الملحقات (قد لا تكون مرفقة)



- 1 غطاء واق من المطر
- 2 ناموسية
- 3 درج الآباء
- 4 طاولة الطفل الدوارة
- 5 ذراع

قد تُباع الملحقات بشكل منفصل أو قد لا تتوفر حسب المنطقة.

! الحد الأقصى للوزن الموصى به في الدرج الخاص بالآباء هو 1.36 كجم/3 رطل.

! صُممت عربة الأطفال لاستخدامها منذ لحظة الولادة، ويفضل استخدام وضعية الانحناء المُصممة خصيصاً للأطفال حديثي الولادة.

! يجب تأمين المكابح عند وضع الطفل في العربة وإخراجه منها.

! لا تستبدل هذه العربة بسرير الطفل أو الفراش وذلك في مقاعد السيارات المقترنة بهيكل السيارة. وعند النوم يجب وضع الطفل في عربة أو سرير أو تغطيته بفراش مناسب.

! يجب الحرص عند الاستخدام على المركبات المتحركة، كما يجب عدم ترك الطفل بمفرده، حتى مع تشغيل المكابح.

تركيب عربة الأطفال

الرجاء قراءة كافة التعليمات الواردة في هذا الدليل قبل تركيب المنتج واستخدامه.

فتح العربة

إذا كانت العربة مغلقة كما هو موضح في الشكل 1 - 2، يرجى فصل مزلاج التخزين كما في الشكل 2 - 3 من منطقة التخزين الشكل 3 - 2، وبعد ذلك قم برفع المقبض لفتح العربة. عند سماع صوت نقرة فهذا يعني أن العربة مفتوحة بالكامل. 2

! تحقق من فتح العربة بالكامل قبل المتابعة.

تركيب العجلات الأمامية

قم بتركيب العجلات الأمامية في الأرجل الأمامية. تحقق من إحكام ربط العجلات عن طريق سحب تركيب العجل. 3

يمكن فك العجلات الأمامية عن طريق سحب أزرار التحرير للخلف. 4

تركيب العجلات الخلفية

قم بتركيب العجلات الخلفية عن طريق اتباع الخطوات التالية.

1 قم بإزالة طرفي الغطاء الموجودين في المحور الخلفي وتخلص منهما قبل تركيب العجلات الخلفية. 1 - 5

2 قم بتركيب المحور الخلفي في الأرجل الخلفية كما في الشكل 5، وتأكد من إحكام ربط المحور الخلفي عن طريق سحبه.

3 يرجى وضع العجلة الخلفية والجلبة في نفس جانب المحور الخلفي. 6

4. لإحكام ربط العجلة والجلبة في المحور، قم بدفع المسمار الجانبي المستقيم عبر الفتحة الموجودة في المحور كما في الشكل 7، ويعرض الشكل 8 مثال لمسار جانبي يعد تركيبه.

! يجب وضع المسمار الجانبي المنحني حول الجزء الخارجي من المحور.

! تأكد من وضع الجلبة بين المسمار والعجلة.

5 قم بمحاذاة الأسننة الموجودة في الغطاء مع فتحات العجلة، ثم ضع الغطاء على العجلة لتغطية الجلبة والمسمار. 9

يعرض الشكل 10 العجلات الخلفية بعد تركيبها بالكامل.

تشغيل العربة

ضبط الانحناء

إملاء مسند الظهر للخلف

يوجد بمسند الظهر 4 زوايا.

لإملاء مسند الظهر إلى الخلف، اضغط على مقبض الانحناء الموجود خلف المقعد كما في الشكل 11، واسحب مسند الظهر لأسفل. 12

! لرفع مسند الظهر، اسحبه لأعلى.

تحذير

! تحذير احرص دائماً على استخدام أحزمة الساقين مع حزام الخصر. كما يُنصح باستخدام أحزمة الكتف أيضاً.

! تحذير تأكد من تأمين الأقفال كافة قبل الاستخدام.

! تحذير تأكد من إبعاد طفلك عند بسط العربة أو طيها لتجنب إلحاق أي إصابة به.

! تحذير تجنب لعب الطفل بهذا المنتج.

! يجب التجميع بواسطة شخص بالغ.

! سيؤدي استخدام عربة الأطفال ممن يزيد وزنهم عن 15 كجم إلى تلفها.

! لتفادي الحالات الخطرة أو غير المستقرة، تجنب وضع عناصر يزيد وزنها على 4.5 كجم في سلة التخزين.

! يحظر ترك الطفل دون مراقبة. احرص دائماً على مراقبة الطفل عند وضعه في العربة.

! استخدم العربة لحمل طفل واحد فقط في كل مرة. يحظر وضع حقائب يد أو حقائب تسوق أو طرود أو إكسسوارات على المقبض أو الغطاء.

! قد يتسبب الحمل الزائد أو محاولة طي العربة بطريقة غير صحيحة أو استخدام قطع غيار من إنتاج مُصنِّعين آخرين في تلف العربة أو كسرها أو جعلها غير آمنة للاستخدام. يرجى الاطلاع على دليل التعليمات بعناية.

! الرجاء قراءة كافة التعليمات الواردة في هذا الدليل قبل استخدام المنتج. برجاء الاحتفاظ بهذا الدليل لاستخدامه في المستقبل. قد يؤدي عدم مراعاة هذه التحذيرات واتباع التعليمات إلى وقوع إصابات بالغة أو الوفاة.

! يجب استخدام أحزمة الأمان ونظام تقييد الحركة استخداماً صحيحاً.

! لتفادي وقوع الإصابات البالغة الناتجة عن الوقوع أو الانزلاق، احرص على استخدام حزام الأمان دائماً.

! تأكد من ابتعاد جسد طفلك عن الأجزاء المتحركة عند ضبط العربة.

! في حالة عدم استخدام الحزام قد ينزلق الطفل إلى فتحات الساق ومن ثم يتسبب ذلك في اختناقه.

! يُحظر استخدام عربة الأطفال على السلالم أو السلالم الكهربائية.

! احرص على إبعاد العربة عن مصادر الحرارة المرتفعة أو السوائل أو الأجهزة الإلكترونية.

! تجنب وضع أيّة أجسام قد تتسبب في إلحاق الضرر بالطفل وبالعربة في الدرج الخاص بالآباء.

! يُحظر وقوف الطفل على العربة أو جلوسه بداخلها عندما تكون رأسه متجه ناحية المقدمة.

! يحظر وضع عربة الأطفال على الطرق أو المنحدرات أو المناطق الخطرة.

! يرجى التأكد من تثبيت كافة المكونات قبل استخدام العربة.

! لتفادي الاختناق، تجنب وضع أيّة أجسام مزودة بسلاسل حول رقبة الطفل أو قم بفصل السلاسل من المنتج أو قم بربطها في الألعاب.

! لتجنب ميل العربة، تجنب وضع أيّة أجسام على المقبض. ارفع طفلك داخل العربة أو خارجها دائماً.

! تجنب رفع العربة إذا كان الطفل بداخلها.

! تجنب وضع الطفل داخل سلة التخزين.

! لتجنب ميل العربة، يحظر تسلق الطفل العربة.

! لتجنب انحشار الأصابع، احرص على طي العربة أو بسطها بعناية.

! تأكد من فتح العربة أو طيها بالكامل قبل السماح للطفل بالاقتراب منها.

! لضمان سلامة طفلك، يرجى التأكد من تركيب كافة المكونات وإحكام ربطها جيداً قبل استخدام العربة.

! تأكد من إحكام جهاز ربط المقعد جيداً قبل الاستخدام.

! لتجنب اختناق طفلك، تأكد من إبعاده عن الغطاء.

! احرص على تأمين المكابح عند وقوف العربة.

! احرص على عدم استخدام العربة إذا تعرضت للتلف أو الكسر.

! يجب استخدام العربة بسرعة المشي فقط. هذا المنتج غير مُصمم للاستخدام أثناء الرض.

! لتجنب الاختناق، أزل الكيس البلاستيكي ومواد التغليف قبل استخدام هذا المنتج. ويتعين بعد ذلك الاحتفاظ بالكيس البلاستيكي ومواد التغليف بعيداً عن متناول الرض والأطفال.

! هذا المنتج غير مناسب للاستخدام أثناء الجري أو التزلق.

التخزين في منطقة التخزين كما هو موضح في الشكل 1 - 31 ، وبهذا يتم طيّ العربة وإغلاقها بالكامل. 34

استخدام شريط الحمل

اسك شريط الحمل بإحكام لسهولة النقل. 25

استخدام الملحقات

غطاء واق من المطر 1 - 36 ، فيس،ومان 2 - 36 ، درج الآباء 3 - 36

طاولة الطفل الدوارة 4 - 36 ، ذراع 5 - 36

قد تُباع الملحقات بشكل منفصل أو قد لا تتوفر حسب المنطقة.

استخدام الملحقات مع مقعد السيارة من Joie

عند استخدام الملحقات مع مقعد سيارة من طراز Joie، يرجى اتباع التعليمات التالية:

! إذا كنت تعاني من أية مشاكل تتعلق باستخدام نظام تثبيت حركة الأطفال الرضع، حينئذٍ فم الرجوع إلى أدلة التعليمات الخاصة.
! يرجى عدم طي العربة عند التركيب بمقعد السيارة.

استخدام الغطاء الواقي من المطر

لتجميع غطاء المطر ضعه فوق العربة ثم ثبت 10 أزواج من مثبتات الخطاف والحلقة على غطاء المطر . 27

! تأكد من ضبط مسند الظهر على الوضع السفلي وتثبيت مقعد الطفل في السيارة، وذلك قبل استخدام الغطاء.

! يرجى إعادة تركيب درج الآباء على المقبض بعد الانتهاء من تركيب الغطاء.

! عند استخدام الغطاء، يرجى التأكد من التهوية بصورة مستمرة.

! في حالة عدم استخدام الغطاء، تأكد من تنظيفه وتجفيفه قبل طيه.

! إذا كان الغطاء فوق عربة الأطفال، احرص على إزالته لتجنب تمزقه.

! تجنب وضع الطفل في عربة الأطفال المثبت بها الغطاء الواقي من المطر عند ارتفاع درجة الحرارة.

! عند استخدام عربة الأطفال على الشاطئ، احرص على تنظيف تركيبات العجل والمعدن من الرمال والملح جيداً بعد الاستخدام.

استخدام الناموسية

لتغطية عربة الأطفال بلاناموسية، اتبع الخطوات الواردة أدناه لتثبيتها.

1 وصل الشريط المرن بلامثبت الموجود في الجزء الخلفي من المشابك البلاستيكية. 1 - 28

2 لف الحافة السفلية لمسند القدمين ثم الصق شريك 2 - 28

3 كرر الخطوات المذكورة سابقاً لتثبيت الناموسية على الجانب الآخر.

يوضح الشكل 28 ناموسية مثبتة

استخدام درج الآباء

لتركيب درج الآباء، قم بتثبيته على الحوامل الخاصة به بجانب المقبض. 29

! تجنب وضع أيّة أجسام قد تتسبب في إلحاق الضرر بالطفل وبالعربة في الدرج الخاص بالآباء.

! الحد الأقصى للوزن الموصى به في الدرج الخاص بالآباء هو 1.36 كجم/3 رطل.

استخدام طاولة الطفل الدوارة

قم بمحاذاة طرف هذه الطاولة بلاجزء المتوافق معه، ثم اضغط عليه لأسفل لتركيبه. 30 31

يمكن سحب هذه الطاولة لأعلى في كلا الجانبين الأيسر والأيمن.

لفتح الطاولة، اضغط على زر التحرير الخاص بها كما هو موضح في الشكل 1 - 31 ، ثم اسحب الطاولة لأعلى. 2 - 31

استخدام الإيزيم

تحرير الإيزيم

اضغط على الزر الأوسط لتحرير الإيزيم. 13

قفل الإيزيم

قم بتوصيل إيزيم حزام الخصر مع إيزيم الكتف كما في الشكل 1 - 14 ، واضغط على إيزيم الوسط. 2 - 14

عند سماع صوت نقرة فهذا يشير إلى غلق الإيزيم بالكامل. 3 - 14

! لتجنب التعرض لإصابة خطيرة بسبب السقوط أو الانزلاق، احرص دائماً على تثبيت الطفل باستخدام الحزامين.

! تأكد من تثبيت الطفل في مكانه بإحكام. يجب أن تكون المسافة بين الطفل وحزام الكتف مساوية لسُمك يد واحدة تقريباً.

! لا تربط حزامي الكتف بشكل متصالب؛ وإلا فقد يؤدي ذلك إلى الضغط على عنق الطفل.

استخدام أحزمة الكتف والخصر

! لحماية طفلك من السقوط، بعد وضع على المقعد، تحقق من طول وارتفاع أحزمة الكتف والخصر.

مُثِّت حزام الكتف من النوع أ 1 - 15

مُثِّت حزام الكتف من النوع ب 2 - 15

ضابط الانزلاق 3 - 15

استخدم مُثِّت حزام الكتف من النوع أ والفتحات العلوية للحزام مع الأطفال ذوي الحجم الكبير. استخدم مُثِّت حزام الكتف من النوع ب والفتحات السفلية للحزام مع الأطفال ذوي الحجم الصغير.

استخدم أي من مُثِّتي حزام الكتف في الفتحات الأقرب لارتفاع كتف الطفل. 16

استخدم ضابط الانزلاق لتغيير طول الحزام. 1 - 17

اضغط على الزر الموضح في الشكل 2 - 17 ، مع سحب حزام الخصر ليصل إلى الطول المناسب كما في الشكل. 3 - 17

ضبط مسند الساق

يوجد وضعيتان لمسند الساق.

لضبط مسند الساق، اضغط على أزرار الضبط الموجودة أسفل مسند الساق كما في الشكل 1 - 18 ، ثم قم بتدويره لأعلى أو لأسفل. 2 - 18

استخدام القفل الدوار الأمامي

اسحب الأقفال الدوارة الأمامية للحفاظ على اتجاه الحركة. 19

تلميح يوصى باستخدام الأقفال الدوارة مع الأسطح غير المستوية.

استخدام المكابح

لفلق العجلات، اضغط على أي من أذرع المكابح إلى الخلف كما هو موضح في الشكل 20 ، أو اضغط على ذراع المكبح للأمام لتحرير العجلة.

تلميح يجب تأمين المكابح عند وضع الطفل في العربة أو إخراجها منها.

تلميح استخدم المكابح دائماً عندما تكون العربة في وضع التوقف.

تلميح للتأكد من تأمين المكابح بالكامل، قم بتحريك العربة إلى الخلف والأمام برفق قبل تحرير المقبض.

تلميح قم بتنظيف نظام المكابح بصورة دورية لضمان عمل الوظائف على أكمل وجه. انظر جزء العناية والصيانة.

استخدام الغطاء

لفتح الغطاء، اسحب الغطاء ناحية الأمام. 21

لطيّ الغطاء، اسحب الغطاء ناحية الخلف. 22

طيّ العربة

ادفع القفل الثانوي كما هو موضح في الشكل 1 - 23 ، واسحب مقبض الطيّ اليدوي كما هو موضح في الشكل 2 - 23 ، ثم ادفع العربة إلى الأمام لطيها. اقلل العربة عن طريق إدخال مزلاج

استخدام الذراع

قم بمحاذاة طرف الذراع بلاجزء المتوافق معه، ثم اضغط عليه لأسفل لتركيبه. 33 35

يمكن سحب الذراع لأعلى في كلا الجانبين الأيسر والأيمن.

لفتح الذراع، اضغط على زر التحرير الخاص به كما هو موضح في الشكل 1 - 34 ، ثم اسحب الذراع لأعلى. 2 - 34

يمكن فتح الذراع لتسهيل عملية وضع الطفل داخل العربة أو إخراجها منها. **تلميح**

العناية والصيانة

1 يمكن غسل وسادة المقعد القابلة للإزالة بلقاء البارد وتركها لتجف. تجنب استخدام المبيضات.

2 لتنظيف إطار العربة، استخدم الصابون المنزلي والماء الدافئ فقط. تجنب استخدام المبيضات أو المنظفات.

3 تحقق من عدم فك أحد البراغي أو تلف أحد الأجزاء أو تمزيق قطع أقمشة أو فك الغرز من وقت لآخر. واستبدل الأجزاء أو أصلحها حسب الحاجة.

4 قد يتسبب التعرض المفرط لأشعة الشمس أو الحرارة في تلف أجزاء العربة أو تشويهها.

5 في حالة بلل عربة الأطفال، افتح الغطاء واركبها تجف جيداً قبل تخزينها.

6 في حالة صرير العجلات، استخدم زيت خفيف (مثل بخاخ السيليكون أو زيت منع الصدأ أو زيت ماكينة الخياطة). يوصى بوضع الزيت داخل تركيبات العجل والمحور. 1

7 إذا كانت دواسه المكابح متيبسة/صلبة لدرجة عدم جذب المكابح بالكامل، قم بإزالة أية رواسب من على نظام المكابح بلقاء التنظيف أولاً قبل التشحيم.

8 عند استخدام عربة الأطفال على الشاطئ أو على أي بيئة رملية/ملبدة بلتبار، احرص على تنظيف العربة لإزالة تركيبات العجل والمعدنات من الرمال والملح جيداً بعد

الاستخدام.

FI Tervetuloa Joie™:lle

Onneksi olkoon, olet osa Joie-perhettä. Olemme innoissamme saadessamme olla osa matkianne pienokaisenne kanssa. Kun matkaatte Joie MUZE™:lla, käytätte korkealaatuisia, täysin sertifioituja rattaista, jotka täyttävät Euroopan turvallisuusstandardin EN 1888-1:2018 vaatimukset. Tämä tuote soveltuu käytettäväksi alle 15 kg painaville lapsille. Lue tämä opas huolellisesti ja noudata jokaista vaihetta varmistaaksesi, että lapsesi saa mukavan kyydin ja parhaan mahdollisen suojan.

TÄRKEÄÄ - säilytä nämä ohjeet myöhempää käyttöä varten.

Vieraile osoitteessa joiebaby.com ladataksesi käyttöohjeet ja nähdäksesi lisää mielenkiintoisia Joie-tuotteita!

Sisältö

Kuvat	1-7
Varoitus	123
Rattaiden kokoonpano	124
Rattaiden avaaminen	124
Etupyörien asennus	124
Takapyörien asennus	124
Rattaiden käyttö	125
Kallistuksen säätö	125
Soljen käyttö	125
Olka- & vyötärövöiden käyttö	125
Jalkatuen säätö	125
Etupyörien suunnan lukituksen käyttö	125
Jarrun käyttö	126
Kuomun käyttö	126
Rattaiden kokoon taitto	126
Kantohihnan käyttö	126
Lisävarusteiden käyttö	126
Hoito ja huolto	127

Hätätilanteet

Hätätilanteissa tai onnettomuuksissa tärkeintä on, että lapsesi saa välittömästi ensiapua ja hoitoa.

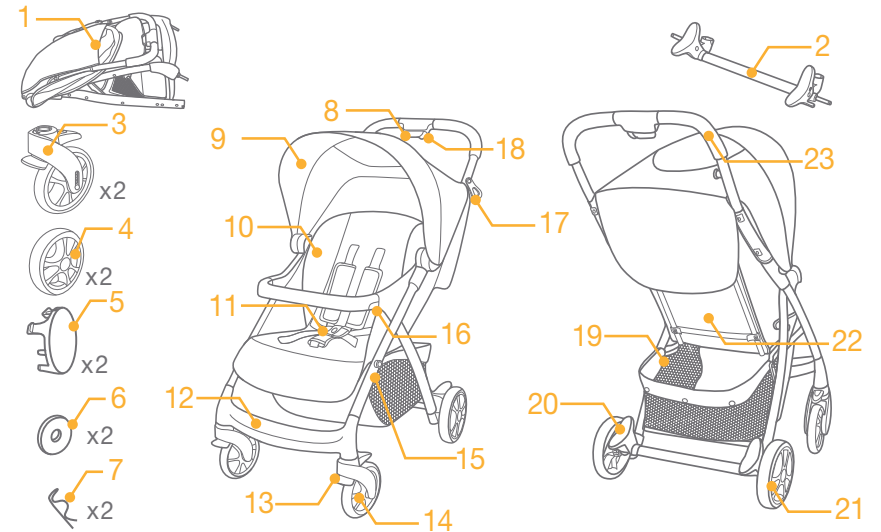
Tuotetiedot

Lue kaikki tämän käyttöoppaan ohjeet ennen tämän tuotteen käyttämistä. Jos sinulla on kysyttävää, ota yhteyttä jälleenmyyjään. Jotkut toiminnot saattavat vaihdella mallista riippuen.

Tuote	Lastenrattaat
Sopii	Alle 15 kg painaville lapsille (syntymä-36 kuukautta)
Materiaalit	Muovi, metalli, tekstiilit
Patentin nro	Patentit haussa
Valmistettu	Kiina
Tuotemerkin	Joie
Verkkosivut	www.joiebaby.com
Valmistaja	Allison Baby UK Ltd.

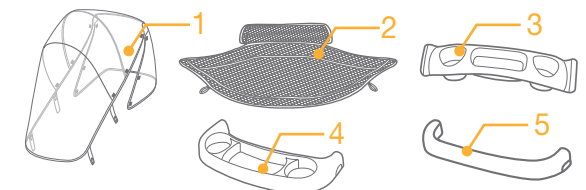
Osaluettelo

- | | | | |
|--------------------|------------------------------------|---------------------------------|------------------------|
| 1. Rattaiden runko | 8. Yhdellä kädellä taitettava aisa | 13. Etupyörien suunnan lukitus | 18. Toissijainen lukko |
| 2. Taka-akseli | 9. Kuomu | 14. Etupyörä | 19. Säilytyskori |
| 3. Etupyörä (x2) | 10. Istuinosa | 15. Varastointisalvan kiinnitys | 20. Jarruvipu |
| 4. Takapyörä (x2) | 11. Solki | 16. Poikkituen irrotus | 21. Takapyörä |
| 5. Suoja (x2) | 12. Jalkatuki | 17. Varastointisalpa | 22. Selkänoja |
| 6. Aluslevy (x2) | | | 23. Aisa |
| 7. Sokka (x2) | | | |



Tarvikkeet (eivät välttämättä sisälly kauppaan)

1. Sadesuoja
2. Hyttysverkko
3. Vanhemman tarjotin
4. Kääntyvä lapsen tarjotin
5. Poikkitanko



VAROITUS

- ! VAROITUS Käytä vyötärövyön kanssa aina haaravyötä. Myös olkavöiden käyttöä suositellaan.
- ! VAROITUS Varmista, että kaikki lukitukset ovat kiinnittyneet ennen käyttöä.
- ! VAROITUS Loukkaantumisten välttämiseksi varmista, että lapsesi pysyy poissa tuotetta avattaessa ja taitettaessa kokoon.
- ! VAROITUS Älä anna lapsesi leikkiä tällä tuotteella.
- ! Vaunujen kokoonpanoon vaaditaan aikuinen.
- ! Käytä rattaita alle 15 kg painavan lapsen kanssa. Jos lapsi painaa tätä enemmän, rattaat vahingoittuvat.
- ! Älä aseta säilytyskoriin tavaraa yli 4,5 kilon edestä välttääksesi vaaralliset, rattaiden epävakaudesta johtuvat tilanteet.
- ! Älä jätä lastasi vartioimatta. Pidä lapsi aina näkyvissäsi hänen ollessa rattaissa.
- ! Käytä rattaita vain yhden lapsen kanssa kerrallaan. Älä koskaan aseta käsilaukkuja, ostoskasseja, paketteja tai lisävarusteita aisaan tai kuomuun.
- ! Ylikuormitus, kokoon taittaminen virheellisellä tavalla tai muiden valmistajien osien käyttö rattaissa saattaa johtaa rattaiden vahingoittumiseen, hajoamiseen tai tehdä rattaista vaaralliset. Lue käyttöohje huolellisesti.
- ! Lue kaikki käyttöoppaan ohjeet ennen tuotteen käyttämistä. Säilytä ohjekirja myöhempää käyttöä varten. Näiden varoitusten ja ohjeiden huomiotta jättäminen voi johtaa vakavaan loukkaantumiseen tai kuolemaan.
- ! Turvavöitä ja turvajärjestelmiä on käytettävä oikein.
- ! Käytä aina turvavyötä välttääksesi putoamisesta tai liukumisesta aiheutuvat vakavat vammat.
- ! Varmista, että lapsesi keho ei ole liikkuvien osien edessä säätäessäsi rattaita.
- ! Lapsi saattaa valahtaa jalkojen aukkoihin ja kuristua, jos valjaita ei käytetä.
- ! Älä käytä rattaita portaissa tai liukuportaissa.
- ! Pidä kaukana kuumista esineistä, nesteistä ja elektroniikasta.
- ! Älä aseta vanhemman tarjottimelle mitään, mikä voi vahingoittaa vauvaa ja rattaita.
- ! Älä anna lapsesi seistä rattaissa tai istua rattaissa takaperin.
- ! Älä koskaan aseta rattaita tielle, rinteeseen tai vaaralliselle alueelle.
- ! Varmista, että kaikki mekanismit on kunnossa ennen rattaiden käyttöä.
- ! Välttääksesi kuristumisen, älä laita esineitä lapsesi kaulan ympärille narussa, kiinnitä naruja tähän tuotteeseen tai kiinnitä naruja leluihin.
- ! Älä laita mitään aisan päälle estääksesi kaatumisen. Nosta aina lapsi rattaisiin ja pois rattaista.
- ! Älä nosta rattaita lapsen ollessa rattaissa.
- ! Älä käytä säilytyskoria lapsen kuljetukseen.
- ! Älä koskaan anna lapsen kiivetä rattaisiin ehkäistääksesi rattaiden kaatumiseen.
- ! Ole varovainen taittaessasi rattaita kokoon ja avatessasi rattaita välttääksesi sormien juuttumisen puristuksiin.
- ! Varmista, että rattaat on taitettu täysin auki tai kasaan, ennen kuin päästät lapsesi rattaiden lähelle.
- ! Lapsen turvallisuuden varmistamiseksi varmista, että kaikki osat on asennettu ja kiinnitetty kunnolla ennen rattaiden käyttöä.

- ! Tarkista, että auton istuimen kiinnityslaite on oikein kiinnitetty ennen käyttöä.
- ! Varmista, että lapsesi ei ylety kuomuun välttääksesi kuristumisen.
- ! Käytä aina jarruja pysäköidessäsi rattaat.
- ! Älä jatka rattaiden käyttöä, jos ne ovat vaurioituneet tai rikki.
- ! Rattaita saa käyttää vain kävelyvauhdissa. Tätä tuotetta ei ole tarkoitettu käytettäväksi hölkätessä.
- ! Poista muovipussi ja pakkausmateriaalit ennen tuotteen käyttöä tukehtumisen välttämiseksi. Muovipussi ja pakkausmateriaalit on pidettävä poissa vauvojen ja lasten ulottuvilta.
- ! Tämä tuote ei sovellu juoksemiseen tai luisteluun.
- ! Suurin suositeltu vanhemman tarjottimelle asetettava paino on 1,36 kg.
- ! Kun tuotetta käytetään vastasyntyneille, on suositeltavaa käyttää tuotetta kallistetuimmassa asennossa.
- ! Käytä seisontajarrua kun laitat lapsen rattaisiin tai nostat lapsen rattaista pois.
- ! Turvakaukalo käytettynä yhdessä tämän tuotteen rungon kanssa ei korvaa kehtoa tai sänkyä. Jos lapsesi tarvitsee unta, aseta lapsi soveltuvaan vaunukoppaan, kehtoon tai sänkyyn.

Rattaiden kokoonpano

Lue kaikki tämän käyttöoppaan ohjeet ennen tämän tuotteen kokoamista ja käyttämistä.

Rattaiden avaaminen

Jos rattaat ovat lukitut kuten kuvassa 2 - 1, irrota varastointisalpa 2 - 2 varastointikiinnikkeestä 2 - 3 ja nostaa aisaa avataksesi rattaat. Klik-ääni tarkoittaa, että rattaat ovat täysin auki. 2

! Tarkista, että rattaat ovat täysin auki, ennen kuin jatkat.

Etupyörien asennus

Asenna etupyörät etujalkoihin. Tarkista, että pyörät ovat tiukasti paikallaan vetämällä pyöristä. 3 Etupyörät voidaan irrottaa vetämällä vapautuspainikkeista taaksepäin. 4

Takapyörien asennus

Asenna takapyörät noudattamalla näitä ohjeita.

1. Poista ja hävitä kaksi päätysojuaa taka-akselista ennen takapyörien asentamista. 5 - 1
2. Kiinnitä taka-akseli takajalkoihin 5. Tarkista, että taka-akseli on tiukasti paikallaan vetämällä taka-akselista.
3. Aseta takapyörä ja aluslevy taka-akselin toiselle sivulle. 6
4. Työnnä sokan suora puoli akselin reiän läpi kiinnittääksesi pyörän ja aluslevyn akseliin 7.
 - ! Kiinnitetty sokka näkyy kuvassa: 8
 - ! Varmista, että aluslevy on sokan ja pyörän välissä.
5. Aseta suojan väkäset linjaan pyörän reikien kanssa, napsauta suoja paikalleen pyörään aluslevyn ja sokan suojaamiseksi. 9

Täysin asennettu takapyörä näkyy kuvassa. 10

Rattaiden käyttö

Kallistuksen säätö

Selkänöjan kallistus

Selkänöjan saa neljään asentoon.

Kallista selkänöjaa puristamalla istuimen takana olevaa kallistuskahvaa ¹¹ ja vetämällä selkänöjaa alaspäin. ¹² Työnnä selkänöjaa ylöspäin nostaksesi asentoa.

! Varmista, että kallistus on oikea käyttöä varten.

Soljen käyttö

Soljen vapautus

Paina keskimmäistä painiketta vapauttaaksesi soljen. ¹³

Soljen lukitus

Yhdistä vyötärövyön solki olkavöiden solkiin ¹⁴ - 1 ja napsauta keskisolkeen. ¹⁴ - 2

“Klik”-ääni tarkoittaa, että solki on lukittunut kokonaan. ¹⁴ - 3

! Käytä aina turvavyötä välttääksesi putoamisesta tai liukumisesta aiheutuvat vakavat vammat.

! Varmista, että lapsesi on tiukasti paikallaan. Lapsen ja olkavyön väliin jäävä tila on noin käden paksuus.

! Älä laita olkavöitä ristiin. Tämä aiheuttaa painetta lapsen niskaan.

Olka- & vyötärövöiden käyttö

! Suojellaksesi lasta putoamiselta, tarkista että olka- ja vyötärövyöt ovat oikealla korkeudella ja oikean pituisia asetettuasi lapsen istuimeen.

¹⁵ - 1 Olkavyön kiinnitin A

¹⁵ - 2 Olkavyön kiinnitin B

¹⁵ - 3 Liukusäädin

Käytä isommalle lapselle olkavöiden kiinnitystä A sekä ylimpiä olkavöiden koloja. Käytä pienemmälle lapselle olkavöiden kiinnitystä B sekä alimpia olkavöiden koloja.

Käytä kumpaakin olkavyön ankkuria kolossa, joka on lähimpänä lapsen olkapään korkeutta. ¹⁶

Käytä liukusäädintä valjaiden pituuden säätämiseksi. ¹⁷ - 1

Paina painiketta ¹⁷ - 2 vetäessäsi vyötärövaljaat sopivan pituisiksi. ¹⁷ - 3

Jalkatuen säätö

Jalkatuella on 2 asentoa.

Säätääksesi jalkatukea, paina jalkatuen alapuolella sijaitsevia säätöpainikkeita ¹⁸ - 1 ja käännä jalkatukea alas- tai ylöspäin. ¹⁸ - 2

Etupyörien suunnan lukituksen käyttö

Työnnä etupyörien lukkoja ylöspäin lukitaksesi kulkusuunnan. ¹⁹

Vinkki Etupyörien suunnan lukitusta suositellaan käytettäväksi epätasaisilla pinnoilla.

Jarrun käyttö

Astu jommankumman jarruvivun päälle taaksepäin kuvan. ²⁰ mukaisesti lukitaksesi pyörät, astu jarruvivun päälle eteenpäin vapauttaaksesi pyörät.

Vinkki Käytä seisontajarrua kun laitat lapsen rattaisiin tai nostat lapsen rattaista pois.

Vinkki Lukitse jarrut aina, kun rattaat eivät liiku.

Vinkki Varmista, että jarru on täysin lukittunut keinuttamalla rattaita kevyesti eteen- ja taaksepäin ennen kuin päästät irti aisasta.

Kuomun käyttö

Vedä kuomua eteenpäin avataksesi kuomun. ²¹

Vedä kuomua taaksepäin taittaaksesi kuomun pois käytöstä. ²²

Rattaiden kokoon taitto

Paina toissijaista lukitusta ²³ - 1 ja purista yhden käden taitto -painiketta ²³ - 2 Paina rattaita eteenpäin, jotta ne taittuvat. Lukitse rattaat kiinnittämällä varastointisalpa kiinnikkeeseensä ²⁴ - 1 Rattaat ovat täysin taitetut ja kokoon lukitut. ²⁴

Kantohihnan käyttö

Ota kantohihnasta pitävä ote rattaiden helppoa kuljettamista varten. ²⁵

Lisävarusteiden käyttö

²⁶ - 1 Sadesuoja

²⁶ - 2 Hytysverkko

²⁶ - 3 Vanhemman tarjotin

²⁶ - 4 Kääntyvä lapsen

²⁶ - 5 Poikkitanke

Tarvikkeet voidaan myydä erikseen tai eivät välttämättä ole saatavilla alueesta riippuen.

Käyttö Joie turvakaukalon kanssa

Kun käytetään Joie Juva turvakaukalon kanssa, katso seuraavat käyttöohjeet.

! Jos sinulla on ongelmia turvakaukalon käytön kanssa, katso tuotteen omasta ohjekirjasta.

! Älä kasaa ratasta, kun turvakaukalo on kiinni.

Sadesuojan käyttö

Asenna sadesuoja asettamalla suoja rattaiden päälle ja kiinnittämällä sadesuojan 2 koukku- ja lenkkikiinnikeparia sekä 4 nappipainiketta. ²⁷

! Ennen kuin käytät sadesuojaa, varmista, että selkänöja on säädetty alimpaan asentoon ja lapsen turvakaukalo on kiinnitetty.

! Kun sadesuoja on paikallaan, kiinnitä vanhemman tarjotin aisaan uudelleen.

! Kun käytät sadesuojaa, tarkista aina sen ilmanvaihtoaukot.

! Kun suoja ei ole käytössä, varmista, että suoja on puhdistettu ja kuivattu ennen kokoon taittoa.

! Jos sadesuoja on rattaissa, poista sadesuoja repeytymisen ja vahingoittumisen ehkäisemiseksi.

! Älä laita lasta sadesuojalla peitettyihin rattaisiin kuumalla säällä.

! Käytettyäsi rattaita rannalla, puhdista rattaat täysin käytön jälkeen poistaaksesi hiekan ja suolan mekanismeista ja pyöristä.

Hyttysverkon käyttö

Peitä rattaat hyttysverkolla. Noudata alla olevia ohjeita hyttysverkon kiinnittämiseksi.

1. Kiinnitä kuminauha muovin takaosassa olevaan koukkuun **28** - 1
2. Kääri alareuna jalkatuen alle ja kiinnitä Velcro®-tarranauha. **28** - 2
3. Toista edellä mainitut vaiheet kiinnittääksesi hyttysverkon myös vastakkaiselle puolelle.

Paikalleen asennettu hyttysverkko näkyy kuvassa. **28**

Vanhemman tarjottimen käyttö

Asenna vanhemman tarjotin kiinnittämällä tarjotin aisan kummallakin sivulla olevaan tarjottimen kiinnikkeeseen. **29**

! Älä aseta vanhemman tarjottimelle mitään, mikä voi vahingoittaa vauvaa ja rattaista.

! Suurin suositeltu vanhemman tarjottimelle asetettava paino on 1,36 kg.

Kääntyvän lapsen tarjottimen käyttö

Kohdista lapsen kääntyvän tarjottimen pää sen kanssa yhteen sopivan osan kanssa ja paina paikalleen. **30** **32**

Lapsen kääntyvä tarjotin voidaan nostaa ylös sekä vasemmalle että oikealle puolelle.

Avaa lapsen kääntyvä tarjotin painamalla tarjottimen vapautuspainiketta **31** - 1, ja vedä kääntyvä tarjotin esiin. **31** - 2

Poikkitangon käyttö

Kohdista poikkitangon pää sen kanssa yhteen sopivan osan kanssa ja paina paikalleen. **33** **35** Poikkitanko voidaan nostaa ylös sekä vasemmalle että oikealle puolelle.

Paina vapautuspainiketta **34** - 1 avataksesi poikkitangon ja vedä poikkitanko paikalleen. **34** - 2

Vinkki Poikkitangon voi avata, jolloin lapsen laittaminen rattaisiin ja rattaista pois nostaminen helpottuu.

Hoito ja huolto

1. Irrotettava istuinosa voidaan pestä kylmällä vedellä ja antaa kuivua valumalla. Ei valkaisuainetta.
2. Käytä rattaiden rungon puhdistukseen vain tavallista saippuaa ja lämmintä vettä. Ei valkaisuainetta tai pesuainetta.
3. Tarkista rattaat aika ajoin löysien ruuvien, kuluneiden osien sekä repeytyneiden materiaalien tai saumojen varalta. Korvaa tai korjaa osat tarvittaessa.
4. Liiallinen altistuminen auringolle tai lämmölle voi aiheuttaa osien haalistumista tai vääntymistä.
5. Jos rattaat kastuvat, avaa kuomu ja anna kuivua kokonaan ennen varastointia.
6. Jos pyörät narisevat, käytä kevytöljyä (esimerkiksi silikonisuihketta, ruosteenestoöljyä tai ompelukoneen öljyä). Öljyn on tärkeää päästä akseliin ja pyörään. **1**
7. Käytettyäsi rattaista rannalla, puhdista rattaat täysin käytön jälkeen poistaaksesi hiekan ja suolan mekanismeista ja pyöristä.

ET Tere tulemast Joie™ perre

Õnnitleme teid Joie toodete kasutajate perega liitumise puhul! Meil on väga hea meel, et saame teid saata teie ja teie pisikese ühistel rännakutel. Joie MUZE™'i kätuga reisisid kasutate kvaliteetset, täielikult sertifitseeritud jalutuskäru, mis vastab Euroopa ohutusstandardile EN 1888-1:2018. See toode sobib kasutamiseks lastele kehakaaluga alla 15 kg. Palun lugege see kasutusjuhend hoolikalt läbi ning järgige kõiki juhiseid, et tagada teie lapsele mugav sõit ja parim kaitse.

OLULINE: hoidke see kasutusjuhend edasiseks kasutamiseks alles.

Aadressilt joiebaby.com saate alla laadida kasutusjuhendeid ja avastada veel põnevaid Joie tooteid!

Sisukord

Joonised	1-7
Hoiatused	131
Jalutuskäru kokkupanek	132
Lahtine jalutuskäru	132
Esirataste paigaldamine	132
Tagarataste paigaldamine	132
Jalutuskäru kasutamine	133
Seljatoe kalde reguleerimine	133
Kinnituse kasutamine	133
Õla- ja vöörihmade kasutamine	133
Sääretoe reguleerimine	133
Esiratta luku kasutamine	133
Piduri kasutamine	134
Varikatuse kasutamine	134
Jalutuskäru kokkuvoltimine	134
Kanderihma kasutamine	134
Tarvikute kasutamine	134
Hooldus ja korrashoid	135

Hädaolukorras

Hädaolukorra või õnnetuste korral on tähtis tagada lapsele kohene esmaabi ja ravi.

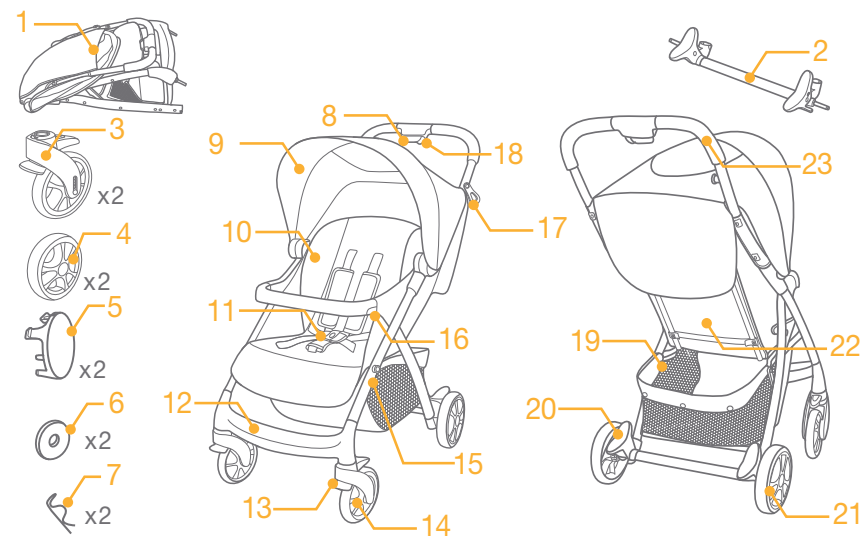
Tooteteave

Enne toote kasutamist lugege läbi kõik selles kasutusjuhendis toodud juhised. Kui teil on lisaküsimusi, pidage nõu edasimüüjaga. Mõned funktsioonid võivad erineda sõltuvalt mudelist.

Toode:	Jalutuskäru
Sobib:	Lapsele kehakaaluga alla 15 kg (sünnist kuni 36 elukuuni)
Materjalid:	plast, metall, kangas
Patendi nr:	patendi ootel
Valmistatud:	Hiinas
Tootemark:	Joie
Veebileht:	www.joiebaby.com
Tootja:	Allison Baby UK Ltd.

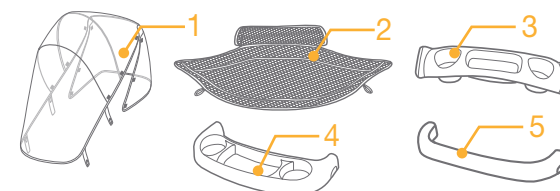
Osade loend

- | | | | |
|---------------------|---------------|------------------------|---------------|
| 1. Jalutuskäru raam | 8. Ühekäe | 14. Esiratas | 21. Tagaratas |
| 2. Tagateljekoost | voltimissang | 15. Hoiuhaagi kinnitus | 22. Seljatugi |
| 3. Esiratas (2 tk) | 9. Varikatuse | 16. Käetoe vabasti | 23. Käepide |
| 4. Tagaratas (2 tk) | 10. Iste | 17. Hoiuhaak | |
| 5. Kattekork (2 tk) | 11. Kinnitus | 18. Teine lukk | |
| 6. Seib (2 tk) | 12. Jalatugi | 19. Hoiukorv | |
| 7. Splint (x2) | 13. Rattalukk | 20. Pidurihoob | |



Tarvikud (ei pruugi olla kaasas)

1. Vihmakate
2. Säasevõrk
3. Vanema topsihoidja
4. Lapse pööratav topsihoidja
5. Käetugi



HOIATUSED

- ! Võõrihuga koos kasutage alati ka jalgevaherihma. Soovituslik on kasutada ka õlarihmasid.
- ! Veenduge enne kasutamist, et kõik lukustusseadmed oleksid õigesti rakendatud.
- ! Vigastuste vältimiseks veenduge, et toote kokku- ja lahtivoltimise ajal oleks laps eemal.
- ! Ärge laske lapsel selle tootega mängida.
- ! Eeldab monteerimist täiskasvanud inimese poolt.
- ! Kasutage jalutuskäru alla 15 kg kaaluva lapse jaoks. Käru kasutamine sobimatu kaaluga lapse puhul võib käru kahjustada.
- ! Ohtlike ja ebastabiilsete olukordade vältimiseks ärge pange hoiukorvi rohkem kui 4,5 kg esemeid.
- ! Ärge jätke oma last kunagi järelevalveta. Hoidke jalutuskäru oleval lapsel alati silm peal.
- ! Kasutage jalutuskäru korraga ainult ühe lapsega. Ärge kunagi asetage käekotte, toidukotte, pakke ega muid esemeid käru käepidemele ega varikatusele.
- ! Ülekoormus, vale kokkuvoltimine või teiste tootjate varuosade kasutamine võivad jalutuskäru kahjustada, lõhkuda või ohtlikuks muuta. Lugege see kasutusjuhend hoolikalt läbi.
- ! Enne toote kasutamist lugege läbi kõik selles kasutusjuhendis toodud juhised. Säilitage kasutusjuhend edaspidiseks kasutamiseks. Nende juhiste ja hoiatuste mittejärgimine võib kaasa tuua tõsiseid tervisekahjustusi või surma.
- ! Turvavööd ja turvasüsteeme tuleb kasutada õigesti.
- ! Kukkumisest või väljalibisemisest tingitud tõsiste vigastuste vältimiseks kasutage alati turvavööd.
- ! Veenduge, et laps ei puutuks käru reguleerimisel selle liikuvaid osi.
- ! Turvarihmade mittekasutamisel võib laps libiseda jalaavadesse ja lämbuda.
- ! Ärge kunagi kasutage käru treppidel ega eskalaatoritel.
- ! Hoidke eemal kõrge temperatuuriga esemetest, vedelikest ja elektroonikast.
- ! Ärge asetage topsihoidjasse selliseid esemeid, mis võivad kahjustada last või jalutuskäru.
- ! Ärge kunagi lubage lapsel kärus seista ega istuda seljaga sõidu suunas.
- ! Ärge kunagi jätke käru teedele, kallakutele ega ohtlikesse kohtadesse.
- ! Veenduge, et kõik mehhanismid oleks parandatud enne jalutuskäru kasutamist.
- ! Lämmumise vältimiseks ärge pange oma lapsele kaela nõoriga esemeid, ärge riputage nõore selle toote külge ja ärge kinnitage nõore mänguasjadele.
- ! Ümbermineku vältimiseks ärge asetage ühtegi eset käepidemele. Tõstke alati laps ise kärusse ja sealt välja.
- ! Ärge tõstke käru, kui laps on kärus.
- ! Ärge kasutage hoiukorvi lapse kandmiseks.
- ! Ümbermineku vältimiseks ärge laske lapsel käru peal ronida.
- ! Sõrmede kinnijäämise vältimiseks olge käru kokku- ja lahtivoltimisel ettevaatlik.
- ! Enne lapse käru juurde lubamist veenduge, et see oleks täielikult avatud või kokkuvolditud.

- ! Lapse ohutuse tagamiseks veenduge enne kasutamist, et kõik osad oleks õigesti kokku pandud ja kinnitatud.
- ! Enne kasutamist kontrollige, et autoistme kinnitusseade oleks korralikult kinnitatud.
- ! Lämmumise vältimiseks veenduge, et laps ei puutuks vastu varikatust.
- ! Käru seismajätmisel kasutage alati pidureid.
- ! Kui käru on kahjustatud või katki, lõpetage selle kasutamine.
- ! Kasutage käru ainult kõndimise kiirusel. See toode pole mõeldud kasutamiseks sõrkimisel.
- ! Lämmumise vältimiseks eemaldage enne toote kasutamist kilekotid ja pakke-materjalid. Kilekotid ja pakkematerjalid tuleb imikutest ja lastest eemal hoida.
- ! See toode ei sobi kasutamiseks jooksmisel ega uisutamisel.
- ! Maksimaalne soovitatav esemete kaal vanema topsihoidjas on 1,36 kg.
- ! Sünnist alates kasutatavate kärude puhul soovitatakse vastsündinu jaoks kasutada maksimaalselt allalastud seljatoega asendit.
- ! Lapse kärusse panemisel ja kärust väljavõtmisel kasutage seisupidurit.
- ! Autoistme ja raami koos kasutamine ei asenda voodit. Kui laps jääb magama, tuleb ta panna sobiva kerega vankrisse, välivoodisse või voodisse.

Jalutuskäru kokkupanek

Enne toote kokkupanekut ja kasutamist lugege palun kõiki selles juhendis toodud juhiseid.

Lahtine jalutuskäru

Kui jalutuskäru on lukustatud, nagu on näidatud joonisel 2-1, eemaldage hoiuhaak 2-2 hoiuhaagi kinnituse 2-3 küljest ja seejärel tõstke jalutuskäru lahtivoltimiseks käepidet. Jalutuskäru on täielikult lahti volditud, kui kuulete klõpsu.

- ! Enne kasutamist veenduge, et käru oleks täielikult avatud.

Esirattaste paigaldamine

Paigaldage esirattad esijalgade külge. Kontrollige, et rattad oleks korralikult kinnitatud, tõmmates rattakooste. 3 Esirattad on võimalik eemaldada, tõmmates vabastusnuppe tagasi. 4

Tagarattaste paigaldamine

Tagarattaste paigaldamiseks toimige järgmiselt.

1. Enne tagarattaste paigaldamist eemaldage kaks tagateljele kinnitatud kattekorki ja asetage need kõrvale. 5-1
2. Kinnitage tagateljekoost tagajalgade külge 5. Kontrollige, et tagateljekoost oleks korralikult kinnitatud, tõmmates seda väljapoole.
3. Seadke üks tagaratas ja seib ühele tagatelje poolele. 6
4. Kinnitage ratas ja seib telje külge, lükates splindi sirge otsa läbi teljes oleva augu 7.
 - ! Kinnitatud splinti on kujutatud joonisel 8
 - ! Splindi kumer ots peab asetsema ümber telje väliskülje.
 - ! Veenduge, et seib paikneks splindi ja rattas vahel.
5. Joondage kattekorgi kinnituskõrvad rattas olevate aukudega ja suruge kork ratta peale nii, et see kataks seibi ja splindi. 9

Täielikult paigaldatud tagarattaid on kujutatud joonisel. 10

Jalutuskäru kasutamine

Seljatoe kalde reguleerimine

Reguleeritava kaldega seljatugi

Seljatoel on neli kaldenurka.

Seljatoe allalaskmiseks suruge istme taga olevat kallutuskäepidet ning tõmmake seljatuge alla **11** Seljatoe tõstmiseks lükake seda üles. **12**

! Veenduge, et seljatoe kalle oleks seatud kasutamiseks sobivaks.

Kinnituse kasutamine

Kinnituse avamine

Kinnituse avamiseks vajutage keskmisele nupule. **13**

Kinnituse lukustamine

Asetage vöörihma ja õlarihma kinnitused kokku **14** - 1 ning kinnitage need klõpsatusega keskmisesse kinnitusse. **14** - 2

Klõpsatus annab märku, et kinnitus on täielikult lukustatud. **14** - 3

! Kukkumisest või väljalibisemisest tingitud vigastuste vältimiseks kasutage lapse kinnitamiseks alati turvavööd.

! Veenduge, et teie laps oleks kinnitatud mugavalt ja turvaliselt. Lapse keha ja õlarihmade vahele peab jääma umbes käe jagu ruumi.

! Ärge ristake õlarihmasid. See põhjustab lapse kaelale survet.

Õla- ja vöörihmade kasutamine

! Et takistada lapse väljakukkumist, kontrollige pärast lapse kärusse paigutamist, kas õla- ja vöörihmad on õigel kõrgusel ja õige pikkusega.

15 - 1 Õlarihma kinnitus A

15 - 2 Õlarihma kinnitus B

15 - 3 Libistatav regulaator

Suurema lapse puhul kasutage õlarihma kinnitust A ja kõrgeimat õlarihma ava. Väiksema lapse puhul kasutage õlarihma kinnitust B ja madalaimat õlarihma ava.

Kasutage kumbagi õlarihma kinnitust avades, mis asuvad lapse olajoonele kõige lähemal. **16**

Rihma pikkuse kohandamiseks kasutage libistatavat regulaatorit. **17** - 1

Vajutage nuppu **17** - 2 ja tõmmake samal ajal vöörihm õigesse pikkusesse. **17** - 3

Sääretoa reguleerimine

Sääretoa on kaks asendit.

Sääretoa reguleerimiseks vajutage selle alumisel küljel olevatele reguleerimisnuppudele **18** - 1 ja pöörake sääretuge alla või üles. **18** - 2

Esiratta luku kasutamine

Liikumissuuna säilitamiseks lükake esirattalukud üles. **19**

Näpunäide Rattalukku soovitatakse kasutada ebatasasel pinnal.

Piduri kasutamine

Rataste lukustamiseks astuge vastava pidurihoova tagaosaale, nagu on näidatud joonisel. **20** Ratta vabastamiseks astuge pidurihoova esiosaale.

Näpunäide Lapse kärusse panemisel ja kärust väljavõtmisel rakendage pidur.

Näpunäide Jalutuskäru seisma jätmisel rakendage alati pidur.

Näpunäide Piduri täieliku rakendatuse kontrollimiseks liigutage enne käepidemest lahti laskmist jalutuskäru õrnalt edasi-tagasi.

Varikatuse kasutamine

Varikatuse lahtivoltimiseks tõmmake seda jalutuskäru esiotsa suunas. **21**

Varikatuse kokkuvoltimiseks tõmmake seda jalutuskäru tagaotsa suunas. **22**

Jalutuskäru kokkuvoltimine

Vajutage teist lukku **23** - 1 ning pigistage ühekäe voltimissanga **23** - 2 Käru kokkuvoltimiseks lükake seda edasi. Lukustage käru, kinnitades hoiuhaagi selle kinnituse peale **24** - 1 Seejärel on jalutuskäru täielikult kokku volditud ja lukustatud. **24**

Kanderihma kasutamine

Jalutuskäru hõlpsaks transportimiseks haarake tugevalt kanderihmast. **25**

Tarvikute kasutamine

26 - 1 Vihmakate

26 - 2 Säasevõrk

26 - 3 Vanema topsihoidja

26 - 4 Lapse pööratav

26 - 5 Käetugi

Tarvikud võivad olla müügil eraldi ega pruugi olla saadaval olenevalt piirkonnast.

Izmantojot kopā ar Joie zīdaiņu autokrēsliņu

Lietojojot kopā ar Joie bērnu autokrēsli Juva, lūdzu, ievērojiet šādus norādījumus.

! Ja jums ir kādas problēmas ar autokrēsli lietošanu, lūdzu, skatiet viņu pašu instrukcijas.

! Lūdzu, nemēģiniet salikt ratus ar uzstādītu autokrēsliņu.

Vihmakatte kasutamine

Vihmakatte paigaldamiseks asetage see üle käru ning seejärel kinnitage vihmakatte kaks paari takjakinnitisi ja neli paari klõpskinnitisi. **27**

! Enne vihmakatte kasutamist veenduge, et seljatugi oleks seatud madalaimasse asendisse ning et lapse autoiste oleks kinnitatud.

! Pärast vihmakatte paigaldamist kinnitage vanema topsihoidja tagasi käepideme külge.

! Vihmakatte kasutamisel kontrollige alati selle õhutust.

! Kui te vihmakatet parajasti ei kasuta veenduge, et see oleks enne kokkuvoltimist puhastatud ja kuivatatud.

! Kui vihmakate on käru peal, eemaldage see, et vältida selle rebenemist ja purunemist.

! Ärge pange last kuuma ilmaga vihmakattega kaetud kärusse.

! Pärast jalutuskäru kasutamist rannas puhastage see põhjalikult soolast ja liivast, pöörates erilist tähelepanu mehhanismidele ja rattakoostudele.

Sääsevõrgu kasutamine

Katke jalutuskäru sääsevõrguga. Seejärel kinnitage sääsevõrk järgmisel viisil.

1. Kinnitage kummipael plastosa tagaküljel oleva konksu külge. **28 - 1**
2. Mähkige võrk üle jalatoe alumise serva ja kinnitage see takjaribaga. **28 - 2**
3. Kinnitage sääsevõrk ka teiselt küljelt, korrates neid juhiseid.

Kinnitatud sääsevõrku on kujutatud joonisel. **28**

Vanema topsihoidja kasutamine

Vanema topsihoidja paigaldamiseks kinnitage see käepideme kummalgi küljel olevate kinnituste külge. **29**

! Ärge asetage topsihoidjasse selliseid esemeid, mis võivad kahjustada last või jalutuskäru.

! Maksimaalne soovitatav esemete kaal vanema topsihoidjas on 1,36 kg.

Lapse pööratava topsihoidja kasutamine

Joondage lapse pööratava topsihoidja otsad selle kinnitustega ja kinnitamiseks suruge seda allapoole. **30 32**

Lapse pööratava topsihoidja saab tõmmata üles nii vasakult kui ka paremalt küljelt.

Lapse pööratava topsihoidja eemaldamiseks vajutage selle vabastusnuppu **31 - 1**, ja tõmmake topsihoidja üles. **31 - 2**

Käetoe kasutamine

Joondage käetoe otsad selle kinnitustega ja kinnitamiseks suruge seda allapoole. **33 35** Käetoe saab tõmmata üles nii vasakult kui ka paremalt küljelt.

Käetoe eemaldamiseks vajutage selle vabastusnuppu **34 - 1** ja tõmmake käetugi üles. **34 - 2**

Näpunäide Lapse hõlpsamaks kärusse panemiseks ja kärust eemaldamiseks on võimalik käetugi eemaldada.

Hooldus ja korrashoid

1. Eemaldatavat istepatja võib pesta külma veega ning õhu käes kuivatada. Mitte valgendada.
2. Jalutuskäru raami puhastamiseks kasutage pesuseepi ja sooja vett. Ärge kasutage pleegitavaid ja muid pesuaineid.
3. Kontrollige aeg-ajalt, kas kärul on lahtiseid kruvisid, kulunud osi, rebenenud materjali või õmbluseid. Asendage või parandage kahjustatud osad vastavalt vajadusele.
4. Ülemäärane kokkupuude päikese või kuumaga võib põhjustada osade pleekimist või deformatsioone.
5. Jalutuskäru märjakssaamilisel avage kate ja laske sellel enne hoiustamist täielikult kuivada.
6. Kui rattad kriuksuvad, kasutage kerget õli (nt silikoonimääret, roostevastast õli või õmblusmasinaõli). Oluline on, et õli sattuks telje ja ratta kokkupuute kohta. **1**
7. Pärast jalutuskäru kasutamist rannas puhastage see põhjalikult soolast ja liivast, pöörates erilist tähelepanu mehhanismidele ja rattakoostudele.

LT Sveiki atvykę į Joie™

Sveikiname tapus „Joie“ šeimos dalimi. Mes labai džiaugiamės galėdami būti jūsų ir jūsų mažylio kelionės dalimi. Keliaudami su Joie MUZE™ naudojate aukštos kokybės, sertifikuotą vežimėliu, atitinkančiu Europos saugumo standartą EN 1888-1:2018. Ši prekė yra tinkama naudoti vaikams, sveriantiems mažiau nei 15kg. Prašome atidžiai perskaityti šį naudojimo vadovą ir vadovautis kiekvienu žingsniu, kad užtikrintumėte patogią kelionę bei savo vaiko saugumą.

SVARBU: Išsaugokite šias instrukcijas ateičiai.

Aplankykite mus adresu joiebaby.com, ir atsisiųskite vartotojo vadovus bei pamatykite daugiau nuostabių „Joie“ prekių!

Turinys

Paveikslėliai	1-7
Ispėjimas	139
Vežimėlio surinkimas	140
Vežimėlio išlankstymas	140
Priekinių ratų tvirtinimas	140
Galinių ratų tvirtinimas	140
Vežimėlio naudojimas	141
Atlošo reguliavimas	141
Sagties naudojimas	141
Pečių ir juosmens diržų naudojimas	141
Blauzdų atramos reguliavimas	141
Priekinio rato užrakto naudojimas	141
Stabdžio naudojimas	142
Gaubto naudojimas	142
Vežimėlio sulankstymas	142
Nešiojimo dirželio naudojimas	142
Priedų naudojimas	142
Priežiūra ir naudojimas	143

Nenumatyti atvejai

Nelaimingo įvykio ar avarijos atveju svarbiausia, kad jūsų vaikui būtų iš karto suteikta pirmoji pagalba ir gydymas.

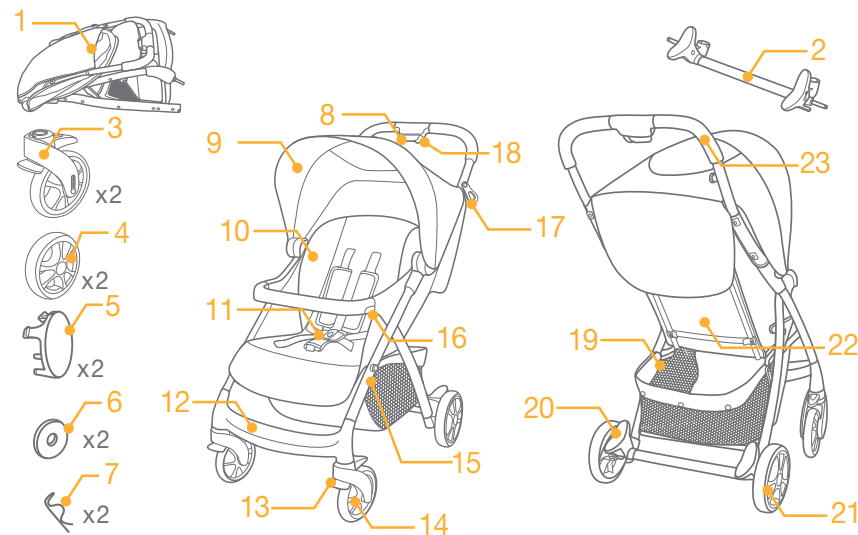
Prekės informacija

Prieš naudodami prekę, perskaitykite visas šiam vadove esančias instrukcijas. Jei turite kokių nors klausimų, susisiekiame su tiekėju. Kai kurios ypatybės gali skirtis priklausomai nuo produkto modelio.

Prekė	Vežimėlis
Tinka	Vaikams, sveriantiems mažiau nei 15 kg (iki 36 mėnesių amžiaus)
Medžiagos	plastmasė, metalas, audiniai
Patento Nr.	Patentų laukiama
Pagaminta	Kinijoje
Prekės ženklas	Joie
Interneto svetainė	www.joiebaby.com
Gamintojas	Allison Baby UK Ltd.

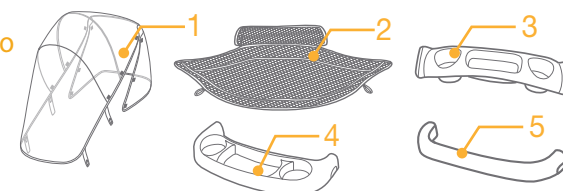
Dalių sąrašas

- | | | | |
|------------------------|-----------------------------------|----------------------------------|----------------------------|
| 1. Vežimėlio rėmas | 8. Viena ranka sulenkiamą rankena | 14. Priekinis ratas | 19. Daiktų laikymo krepšys |
| 2. Galinė ašis | 9. Gaubtas | 15. Fiksatorius laikymo užraktui | 20. Stabdžių svirtis |
| 3. Priekinis ratas (2) | 10. Sėdynės pagalvėlė | 16. Atidaromas Buomelis | 21. Galinis ratas |
| 4. Galinis ratas (2) | 11. Sagtis | 17. Laikymo užraktas | 22. Atlošas |
| 5. Dangtelis (2) | 12. Kojų atrama | 18. Antrinis užraktas | 23. Rankena |
| 6. Poveržlė (2) | 13. Rato užraktas | | |
| 7. Segtukas (2) | | | |



Priedai (gali būti neįtraukti į pirkinio komplektą)

1. Apsauga nuo lietaus
2. Tinklis nuo vabzdžių
3. Padėklas tėvams
4. Sukiojamas padėklas vaikams
5. Buomelis



ĮSPĖJIMAS

- ! ĮSPĖJIMAS Visada naudokite tarpukojo ir juosmens diržus. Patariama kartu naudoti ir pečių diržus.
- ! ĮSPĖJIMAS Prieš naudojimą įsitikinkite, ar visi susegimai užfiksuoti.
- ! ĮSPĖJIMAS Siekdami išvengti sužalojimų, vežimėlį išlankstykite bei sulankstykite atokiau nuo savo vaiko.
- ! ĮSPĖJIMAS Neleiskite savo vaikui žaisti su šia preke.
- ! Sumontuoti suaugusiam.
- ! Naudokite vežimėlį vaikui, sveriančiam mažiau nei 15kg. Vežimėlis bus sugadintas, jei vaikas bus per sunkus.
- ! Siekdami išvengti pavojaus, nestabilumo, į daiktų laikymo krepšį nedėkite daugiau nei 4,5kg.
- ! Niekada nepalikite savo vaiko be priežiūros. Visada stebėkite vaiką vežimėlyje.
- ! Naudokite vežimėlį tik vienam vaikui vienu metu. Niekada nedėkite rankinių, pirkinių krepšių ir pakuočių ar kitų daiktų ant vežimėlio rankenos ar gaubto.
- ! Vežimėlį perkraudami, neteisingai lankstydami, jam naudodami kitų gamintojų dalis, galite jį pažeisti, sugadinti arba padaryti nesaugų naudojimą. Prašome atidžiai perskaityti naudojimo vadovą.
- ! Prieš naudodami prekę, perskaitykite visas naudojimo vadovo instrukcijas. Prašome išsaugoti naudojimo vadovą ateičiai. Šių įspėjimų ir instrukcijų nesilaikymas gali sukelti rimtus sužalojimus arba mirtį.
- ! Saugos diržai ir tvirtinimo sistemos privalo būti naudojami teisingai.
- ! Siekdami išvengti rimtų sužalojimų iškrentant arba iščiuožiant žemyn, visada naudokite saugos diržą.
- ! Įsitikinkite, kad jūsų vaiko kūnas nesiliečia prie judančių dalių, kai reguliuojate vežimėlį.
- ! Vaikas gali iššlysti pro kojoms skirtas angas ir būti prispaustas, jei nenaudojamos apsaugos.
- ! Nenaudokite vežimėlio ant laiptų ar eskalatorių.
- ! Laikykite atokiau nuo aukštos temperatūros objektų, skysčių ir elektronikos.
- ! Į padėklą tėvams nedėkite jokių daiktų, kurie gali sužeisti kūdikį ir sugadinti vežimėlį.
- ! Niekada neleiskite savo vaikui stovėti vežimėlyje arba sėdėti vežimėlyje galva į vežimėlio priekį.
- ! Niekada nepalikite vežimėlio netoli kelio, skardžio ar kitų pavojingų vietų.
- ! Prieš naudodami vežimėlį, įsitikinkite, kad visi mechanizmai yra pritvirtinti.
- ! Siekdami išvengti smaugimo, ant vaiko kaklo nemaukite daiktų su virvele, neriškite virvelių prie vežimėlio ar žaislų.
- ! Siekdami, kad vežimėlis neapvirstų, nedėkite daiktų ant vežimėlio rankenos. Visada įkelkite ir iškelkite vaiką iš vežimėlio.
- ! Neikelkite vežimėlio kai jame yra vaikas
- ! Neneškite vaiko daiktų laikymo krepšyje.
- ! Siekdami, kad vežimėlis neapvirstų, niekada neleiskite vaikui laiptoti vežimėliu.
- ! Kad išvengtumėte pirštų prispaudimo, būkite atsargūs sulankstydami ir išlankstydami vežimėlį.
- ! Įsitikinkite, kad vežimėlis yra pilnai išskleistas ar sulankstytas prieš leidžiant vaikui priartėti prie vežimėlio.

- ! Siekdami užtikrinti savo vaiko saugumą, prieš naudodami vežimėlį, įsitikinkite, kad visos dalys yra tinkamai sumontuotos ir pritvirtintos.
- ! Prieš naudojimą patikrinkite ar vežimėlio tvirtinimo prie automobilių sėdynių mechanizmas tinkamai veikia.
- ! Siekdami išvengti dusimo, įsitikinkite, kad jūsų vaikas yra saugiu atstumu nuo gaubto.
- ! Visada įjunkite stabdžius, kai statote vežimėlį.
- ! Nebenaudokite vežimėlio jei jis pažeistas ar sulūžęs.
- ! Vežimėlį stumti tik pėsčiojo greičiu. Ši prekė nėra skirta naudoti bėgant.
- ! Siekiant išvengti uždusimo, prieš naudodami šią prekę pašalinkite plastikinį maišelį ir pakavimo medžiagas. Plastikinį maišelį ir pakavimo medžiagas laikykite atokiau nuo kūdikių ir vaikų.
- ! Ši prekė netinkama naudoti bėgiojant ar čiuožinėjant.
- ! Nerekomenduojama ant padėklo tėvams dėti sunkesnius nei 1,36kg daiktus.
- ! Vežimėlis sukurtas naudojimui nuo pat gimimo. Naujagimius rekomenduojama vežti maksimaliai atlenkus atlošą.
- ! Įkeliant bei iškeliant vaikus privaloma įjungti stabdį.
- ! Naudojant automobilyje, šis vežimėlis netinkamas vaikui miegoti. Jei jūsų vaikui reikia miegoti, jis turėtų būti perkeltas į tam skirtą vežimėlį, lopšį ar lovelę.

Vežimėlio surinkimas

Prašome perskaityti visas naudojimo vadovo instrukcijas prieš surenkant ir naudojant prekę.

Vežimėlio išlankstymas

Jei vežimėlis užrakintas **2** - 1, atjunkite laikymo užraktą **2** - 2 nuo fiksatoriaus **2** - 3 ir pakelkite vežimėlį už rankenos. Pilnai išskleistas vežimėlis turėtų spragtelėti. **2**

! Įsitikinkite, kad vežimėlis visiškai išskleistas prieš pradėdam jį naudoti.

Priekinių ratų tvirtinimas

Prie priekinių kojų pritvirtinkite priekinius ratus. Patikrinkite ar ratai pritvirtinti patempdami juos į apačią. **3** Ratus galima nuimti paslenkant paleidimo mygtukus. **4**

Galinių ratų tvirtinimas

Norėdami pritvirtinti galinius ratus sekite šias instrukcijas.

1. Prie tvirtindami ratus, nuo galinės ašies nuimkite dangtelius. **5** - 1
2. Prie galinių kojų pritvirtinkite galinę ašį **5**. Patikrinkite ar galinė ašis gerai pritvirtinta už jos patempdami.
3. Ant galinės ašies užmaukite ratą ir poveržlę. **6**
4. Norėdami pritvirtinti ratus prie ašies **7** į skylutę ašyje įkiškite tiesiąją smeigtuko dalį.
 - ! Pritvirtintas smeigtukas parodytas **8**
 - ! Lenktoji smeigtuko dalis turi apgaubti ašį.
 - ! Patikrinkite ar poveržlė tarp rato ir smeigtuko.
5. Uždenkite smeigtukus ir poveržles prie ratų pritvirtindami dangtelius. **9**

Surinkti galiniai ratai pavaizduoti. **10**

Vežimėlio naudojimas

Atlošo reguliavimas

Atlenkite atlošą

Atlošas turi keturias pozicijas.

Norėdami nuleisti atlošą, suspauskite nuleidimo rankeną, esančią sėdynės gale ¹¹ ir patempkite atlošą žemyn. ¹²

Norėdami pakelti atlošą, kilstelėkite.

! Įsitikinkite, kad atlošas yra tinkamai nustatytas naudojimui.

Sagties naudojimas

Atlaisvinti sagtį

Paspauskite centrinį mygtuką norėdami atlaisvinti sagtį. ¹³

Sagties užsegimas

Sujunkite juosmens diržo sagtį su peties sagtimi ¹⁴ - 1 ir įsekite į centrinę sagtį. ¹⁴ - 2

Spragtelėjimas reiškia, kad sagtis yra visiškai užsegta. ¹⁴ - 3

! Siekiant išvengti rimtų sužalojimų krentant arba išslystant, visada pritvirtinkite savo vaiką apsaugos diržais.

! Įsitikinkite, kad jūsų vaikas yra prisegtas tvirtai. Tarpas tarp vaiko ir peties diržo apsaugos yra maždaug vienos plaštakos pločio.

! Nekryžiuokite pečių diržų. Tai suspaus vaiko kaklą.

Pečių ir juosmens diržų naudojimas

! Kad apsaugotumėte savo vaiką nuo iškritimo, kai vaikas jau yra paguldytas, patikrinkite ar pečių ir juosmens diržai yra tinkamame aukštyje ir tinkamo ilgio.

¹⁵ - 1 Pečių diržo jungtis A

¹⁵ - 2 Pečių diržo jungtis B

¹⁵ - 3 Diržo reguliatorius

Didesniam vaikui, naudokite pečių diržo jungtį A ir aukščiausias peties padalas. Mažesniai vaikui, naudokite pečių diržo jungtį B ir žemiausias peties padalas.

Naudokite reikiamą pečių diržo jungtį ir peties padalą artimesnę vaiko pečių aukščiui. ¹⁶

Naudokite reguliatorių norėdami pakeisti diržo ilgį. ¹⁷ - 1

Paspauskite mygtuką ¹⁷ - 2 traukdami juosmens diržą tinkamam ilgiui nustatyti. ¹⁷ - 3

Blauzdų atramos reguliavimas

Blauzdų atrama turi 2 padėtis.

Norėdami nuleisti blauzdų atramą, paspauskite nustatymo mygtukus po blauzdų atramą ¹⁸ - 1 ir sukite blauzdos atramą į apačią ar į viršų. ¹⁸ - 2

Priekinio rato užrakto naudojimas

Kilstelėkite priekinio rato užraktus norėdami išlaikyti judėjimo kryptį. ¹⁹

Patarimas Rekomenduojama naudoti rato užraktus ant nelygių paviršių.

Stabdžio naudojimas

Norėdami užrakinti ratus, koja paspauskite bet kurį iš dviejų stabdžių pedalų. ²⁰ Norėdami atrakinti ratus, pedalą paspauskite į priekį.

Patarimas Įkeliant bei iškeliant vaikus privaloma įjungti stabdį.

Patarimas Visuomet įjunkite stabdį kai vežimėlį sustabdote.

Patarimas Norėdami įsitikinti, ar gerai įjungėte stabdį, prieš paleisdami rankeną, švelniai pasupkite vežimėlį pirmyn ir atgal.

Gaubto naudojimas

Norėdami išskleisti gaubtą, pastumkite jį į priekį. ²¹

Norėdami suskleisti gaubtą, patraukite jį atgal. ²²

Vežimėlio sulankstymas

Paspauskite fiksavimo užraktą ²³ - 1 ir suspauskite lankstymo rankeną. ²³ - 2 Stumkite vežimėlį į priekį norėdami jį sulankstyti. Užrakinkite vežimėlį užmaudami laikymo užraktą ant fiksatoriaus. ²⁴ - 1 Vežimėlis pilnai sulankstytas ir užfiksuotas. ²⁴

Nešiojimo dirželis

Lengvam vežimėlio pernešimui, tvirtai paimkite už nešiojimo dirželio. ²⁵

Priedų naudojimas

²⁶ - 1 Apsauga nuo lietaus

²⁶ - 2 Tinklelis nuo vabzdžių

²⁶ - 3 Padėklas tėvams

²⁶ - 4 Sukiojamas padėklas vaikams

²⁶ - 5 Buomelis

Priklausomai nuo pirkimo vietovės, priedai gali būti parduodami atskirai arba netiekiami.

Kasutus koos Joie turvahälliga

Kui te kasutate Joie juva turvahälli palun järgige järgmiseid juhthõõre.

! Kui teil tegib probleeme turvahälli kasutamisega, tutvuge uuesti turvahälli enda kasutusjuhendiga.

! Palun ärge pange jalutuskäru kokku, kui turvahäll on jalutuskäru küljes.

Apsaugos nuo lietaus naudojimas

Norėdami pritvirtinti apsaugą nuo lietaus, uždėkite ją ant vežimėlio ir prisekite 2 poromis kabliukų ir 4 poromis segtukų. ²⁷

! Prieš naudodami apsaugą nuo lietaus, prašome įsitikinti, kad atlošas yra žemiausioje padėtyje ir vaiko sėdynė gerai pritvirtinta.

! Pritvirtinę apsaugą nuo lietaus, galite ir vėl prie rankenos pritvirtinti padėklą tėvams.

! Naudodami apsaugą nuo lietaus, visada patikrinkite ventilaciją.

! Prieš sulankstydami apsaugą nuo lietaus, įsitikinkite ar ji sausa ir švari.

! Nenaudodami apsaugos nuo lietaus, visada nuimkite ją nuo vežimėlio, kad išvengtumėte apsaugos suplyšimo.

! Neguldykite savo vaiko į vežimėlį su apsauga nuo lietaus karšto oro metu.

! Jei naudojate vežimėlį paplūdimyje, po to visuomet gerai jį išvalykite ir pašalinkite smėlį bei druską iš mechanizmų bei ratų.

Tinklelio nuo vabzdžių naudojimas

Uždenkite vežimėlį tinkleliu nuo vabzdžių. Atlikite šiuos veiksmus norėdami pritvirtinti tinklelį.

1. Prisekite tamprią virvutę prie kabliuko esančio plastikinės dalies gale. **28** - 1
2. Apvyniokite kojų atramos apačią ir užsekite lipniąją juostelę. **28** - 2
3. Ta patį pakartokite, kad pritvirtintumėte tinklelį nuo uodų kitoje pusėje.

Pritvirtintas tinklelis nuo uodų parodytas. **28**

Padėklo tėvams naudojimas

Norėdami naudoti padėklą tėvams, pritvirtinkite jį prie fiksatorių abiejose rankenos pusėse. **29**

! | padėklą tėvams nedėkite jokių daiktų, kurie gali sužeisti kūdikį ir sugadinti vežimėlį.

! Nerekomenduojama ant padėklo tėvams dėti sunkesnius nei 1,36kg daiktus.

Sukiojamas padėklas vaikams

Norėdami pritvirtinti padėklą vaikams, pridėkite jį prie fiksatoriaus ir paspauskite apačion. **30** **32**

Sukiojamas padėklas vaikams gali būti pakeliamas abiejose pusėse.

Norėdami atidaryti sukiojamą padėklą vaikams, paspauskite nuėmimo mygtuką **31** - 1, ir pakelkite padėklą. **31** - 2

Buomelio naudojimas

Norėdami pritvirtinti Buomelį, pridėkite jį prie fiksatoriaus ir paspauskite apačion. **33** **35** Turėklas gali būti pakeliamas abiejose pusėse.

Norėdami atidaryti Buomelį, paspauskite nuėmimo mygtuką **34** - 1 ir pakelkite Buomelį. **34** - 2

Patarimas Buomelį galima atidaryti, lengvam vaiko įkėlimui bei iškėlimui.

Priežiūra ir naudojimas

1. Nuimama sėdynės dalis gali būti skalbiama šaltame vandenyje ir paliekama išdžiūti savaime. Skalbiant nenaudokite baliklio.
2. Norėdami nuvalyti vežimėlio rėmą, naudokite tik namų ūkiui skirtą muilą ir šiltą vandenį. Valant nenaudokite baliklio ar skalbiklio.
3. Retkarčiais patikrinkite ar vežimėlyje nėra atsisukusių varžtų, susidėvėjusių dalių, suplyšusių medžiagų ar ištrūkusių siūlių. Pakeiskite arba sutaisykite reikiamas dalis.
4. Per didelis buvimas saulėje ar karštis gali būti dalių išblukimo arba formos praradimo priežastis.
5. Vežimėliui sušlapus, atidarykite gobtuvą ir, prieš padėdami jį vietą, leiskite vežimėliui gerai išdžiūti.
6. Jei ratai girgžda, naudokite skystą tepalą (pvz., silikoninį tepalą, tepalą nuo rūdžių arba alyvą, skirtą siuvimo mašinoms). Svarbu, kad tepalas patektų tarp ašies ir rato. **1**
7. Jei naudojate vežimėlį paplūdimyje, po to visuomet gerai jį išvalykite ir pašalinkite smėlį bei druską iš mechanizmų bei ratų.

LV Laipni lūdzam Joie™

Mēs jūs apsveicam ar pievienošanās Joie ģimenei! Mēs esam priecīgi, ka varam piedalīties ceļojumā ar jūsu mazuli! Ceļojot kopā ar Joie MUZE™, jūs lietošiet augstas kvalitātes pilnībā sertificētus bērnu ratiņus, kas atbilst Eiropas drošības standartam EN 1888-1:2018. Produkts ir paredzēts lietošanai bērniem, kuru svars nepārsniedz 15 kg. Lūdzu, rūpīgi izlasiet šo instrukciju un ievērojiet katru norādīto soli, kas nodrošinās komfortablu braukšanu un vislabāko aizsardzību jūsu bērnam.

SVARĪGI - Saglabājiēt šo instrukciju, lai to būtu iespējams lietot arī vēlāk.

Lai lejupielādētu instrukcijas un iepazītos ar citiem aizraujošiem Joie produktiem, apmeklējiet mūsu vietni Joiebaby.com!

Saturs

Attēli	1-7
Bridinājums	147
Ratiņu salikšana	148
Ratiņu atvēršana	148
Priekšējo riteņu salikšana	148
Aizmugurējo riteņu salikšana	148
Ratiņu lietošana	149
Slīpuma regulēšana	149
Sprādzes lietošana	149
Plecu un vidukļa jostu lietošana	149
Kāju balsta regulēšana	149
Priekšējā kustīgā fiksatora lietošana	149
Bremzes lietošana	150
Jumta lietošana	150
Ratiņu salikšana	150
Pārnēsāšanas siksnas lietošana	150
Piederumu lietošana	150
Kopšana un apkope	151

Ārkārtas situācija

Ārkārtas situācijā vai negadījumā vissvarīgākais ir tas, lai jūsu bērns nekavējoties saņemtu pirmo palīdzību un medicīnisko aprūpi.

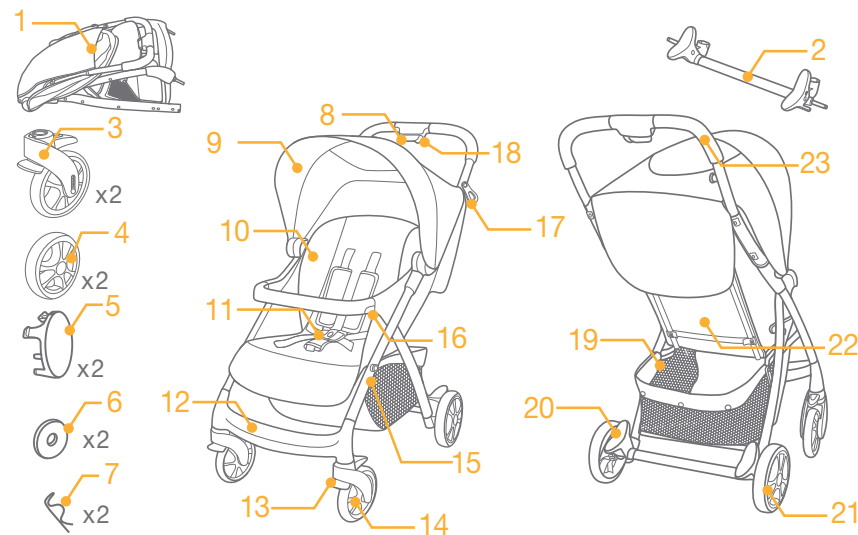
Produkta informācija

Pirms produkta lietošanas izlasiet visas šajā instrukcijā sniegtās norādes. Ja jums rodas jautājumi, lūdzu, sazinieties ar mazumtirgotāju. Dažas funkcijas dažādiem modeļiem var būt atšķirīgas.

Produkts:	Bērnu ratiņi
Piemērots:	Bērnam līdz 15 kg / (no dzimšanas līdz 36 mēnešiem)
Materiāli:	Plastmasa, metāls, audums
Patenta Nr.:	Patents izskatīšanā
Ražots:	Ķīnā
Zīmola nosaukums:	Joie
Timekļa vietne:	www.joiebaby.com
Ražotājs:	Allison Baby UK Ltd.

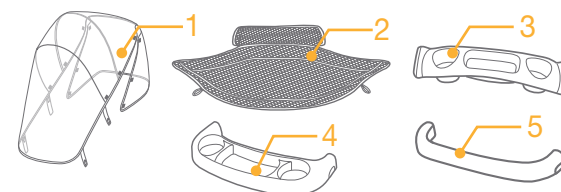
Detalju saraksts

- | | | | |
|-------------------------------|---------------------------------------|---------------------------------------|-------------------------|
| 1. Ratiņu rāmis | 7. Tapa (x2) | 14. Priekšējais ritenis | 19. Mantu grozs |
| 2. Aizmugurējās ass salikšana | 8. Salocīšanas ar vienu roku rokturis | 15. Uzglabāšanas mēlītes stiprinājums | 20. Bremzes svira |
| 3. Priekšējie riteņi (x2) | 9. Jumts | 16. Roku balsta attaisīšana | 21. Aizmugurējie riteņi |
| 4. Aizmugurējie riteņi (x2) | 10. Sēdekļa paliktnis | 17. Uzglabāšanas mēlīte | 22. Muguras balsts |
| 5. Vāks (x2) | 11. Sprādze | 18. Otrais fiksators | 23. Rokturis |
| 6. Paplāksne (x2) | 12. Kāju balsts | | |



Piederumi (var nebūt iekļauti)

1. Lietus pārsegs
2. Pretinsektu tīkls
3. Vecāku nodalījums
4. Pagriežams bērna nodalījums
5. Roku balsts



BRĪDINĀJUMS

- ! BRĪDINĀJUMS! Vienmēr kājstarpes siksnu lietojiet kopā ar vidukļa siksnu. Ieteicams lietot arī plecu jostas.
- ! BRĪDINĀJUMS! Pārliedzieties, ka pirms lietošanas visas fiksēšanas ierīces ir aktivizētas.
- ! BRĪDINĀJUMS! Lai izvairītos no ievainojumiem, pārliedzieties, ka šī produkta salikšanas un atvēršanas laikā jūsu bērns neatrodas ratiņos.
- ! BRĪDINĀJUMS! Neļaujiet savam bērnam spēlēties ar šo produktu.
- ! Montāža jāveic pieaugušajiem.
- ! Ratiņi ir paredzēti bērnam, kura svars nav lielāks par 15 kg. Ja ratiņus lietosiet smagākam bērnam, var rasties ratiņu bojājumi.
- ! Lai nepieļautu bīstamu un nestabilu stāvokli, mantu grozā neievietojiet svaru, kas lielāks par 4,5 kg.
- ! Nekad neatstājiet bērnu bez uzraudzības. Ja bērns atrodas ratiņos, tas vienmēr ir jāuzrauga.
- ! Ratiņos vienlaikus pārvadājiet tikai vienu bērnu. Uz ratiņu roktura vai jumta nenovietojiet somas, iepirkumu maisus, pakas vai piedērumus.
- ! Pārslodze, nepareiza salikšana vai citu ražotāju detaļu lietošana var radīt ratiņu bojājumus, salūšanu un nedrošu lietošanu. Lūdzu, rūpīgi izlasiet lietošanas instrukciju.
- ! Pirms produkta lietošanas, lūdzu, izlasiet visas šajā instrukcijā sniegtās norādes. Lūdzu, saglabājiet šo instrukciju, lai varētu to lietot arī turpmāk. Neievērojot šos brīdinājumus un norādes, var rasties nopietni ievainojumi vai pat nāve.
- ! Drošības siksnas un ierobežotājsistēmas jālieto pareizā veidā.
- ! Lai izvairītos no smagiem ievainojumiem, kas var rasties, bērnam izkrītot vai izslīdot no ratiņiem, vienmēr lietojiet drošības jostu.
- ! Regulējot ratus, pārliedzieties, ka uz jūsu bērna ķermeņa neatrodas ratiņu kustīgās daļas.
- ! Ja drošības jostas netiek lietotas, bērns var ieslīdēt kāju atverēs un sapīties.
- ! Nelietojiet ratiņus uz kāpnēm vai eskalatora.
- ! Sargājiet ratiņus no priekšmetiem ar augstu temperatūru, šķidrumiem un elektroniskām ierīcēm.
- ! Vecāku nodalījumā nedrīkst novietot priekšmetus, kas varētu apdraudēt bērnu un ratiņus.
- ! Neļaujiet bērnam ratiņos stāvēt vai sēdēt, ja bērna galva ir saskārtā uz ratu priekšpusi.
- ! Neatstājiet ratus uz ceļa, slīpām virsmām vai bīstamās vietās.
- ! Pirms ratiņu lietošanas pārliedzieties, ka visi mehānismi ir nofiksēti.
- ! Lai nepieļautu nožņaugšanas iespēju, uz bērna kakla nenovietojiet priekšmetus, kas varētu izveidot cilpu, neļaujiet nokarāties produkta siksnām, kā arī siksnas nepiestipriniet pie rotāļlietām.
- ! Lai nepieļautu apgāšanos, neko nenovietojiet uz roktura. Vienmēr bērnu izceliet no ratiņiem un ieceliet ratiņos.
- ! Nepaceliet ratiņus, ja tajos atrodas bērns.
- ! Nelietojiet mantu grozu bērna pārvadāšanai.
- ! Lai nepieļautu apgāšanos, neļaujiet bērnam uzrāpties uz ratiņiem.
- ! Lai izvairītos no pirkstu iespiešanas, saliekot un atverot ratus, ievērojiet piesardzību.

- ! Pirms ļaut bērnam atrasties blakus ratiņiem, pārliedzieties, ka tie ir pilnībā atvērti vai salikti.
- ! Lai nodrošinātu jūsu bērna drošību, pirms ratiņu lietošanas pārliedzieties, ka visas detaļas ir pareizi uzstādītas un nostiprinātas.
- ! Pirms lietošanas pārbaudiet, vai autosēdekļa piestiprināšanas ierīce ir pareizi aktivizēta.
- ! Lai izvairītos no nožņaugšanas iespējas, pārliedzieties, ka jūsu bērns nav aizķēries aiz jumta.
- ! Apstādinot ratiņus, vienmēr lietojiet bremzes.
- ! Pārtrauciet ratiņu lietošanu, ja tie ir bojāti vai salauzti.
- ! Ratiņi jālieto tikai iešanas ātrumā. Šis produkts nav paredzēts lietošanai lēnas skriešanas laikā.
- ! Lai izvairītos no nosmakšanas, pirms produkta lietošanas noņemiet plastmasas maisu un iepakojuma materiālus. Plastmasas maiss un iepakojuma materiāli jātur zidaiņiem un bērniem nepieejamā vietā.
- ! Produkts nav paredzēts skriešanai vai slidošanai.
- ! Maksimālais ieteicamais svars, ko var novietot vecāku nodalījumā, ir 1,36 kg.
- ! Saliekamos ratiņus, ko lieto jau no bērna piedzimšanas, jaundzimušiem bērniem ieteicams lietot pēc iespējas vairāk atgāztā stāvoklī.
- ! Veicot bērna ielikšanu ratiņos un izņemšanu, jāaktivizē bremzes.
- ! Kopā ar ratiņu šasiju izmantojot zidaiņu autosēdekli, atcerieties, ka tas neaizstāj bērna gultiņu. Gulēšanas laikā bērns ir jānovieto piemērotos bērnu ratiņos vai gultiņā.

Ratiņu salikšana

Pirms produkta salikšanas un lietošanas izlasiet visas šajā instrukcijā sniegtās norādes.

Ratiņu atvēršana

Ja ratiņi ir nofiksēti kā **2** - **1**, lūdzu, uzglabāšanas mēlīti **2** - **2** atdaliet no uzglabāšanas stiprinājuma **2** - **3** un ratiņu atvēršanai paceliet rokturi. Klikšķa atskanēšana nozīmē to, ka ratiņi ir pilnībā atvērti. **2**

! Pirms lietošanas turpināšanas pārliedzieties, ka ratiņi ir pilnībā atvērti.

Priekšējo riteņu salikšana

Priekšējos riteņus uzstādiet uz priekšējām asīm. Pavelkot aiz riteņiem, pārliedzieties, ka riteņi ir cieši piestiprināti. **3** Lai noņemtu priekšējos riteņus, atlaišanas pogas jāpavelk uz aizmuguri. **4**

Aizmugurējo riteņu salikšana

Aizmugurējos riteņus uzstādiet saskaņā ar aprakstītajiem nākamajiem soļiem.

1. Pirms aizmugurējo riteņu uzstādīšanas noņemiet un atdaliet divus aizmugures ass vākus. **5** - **1**
2. Aizmugures ass mezglu uzstādiet uz aizmugures kājām **5**. Pavelkot aizmugures ass mezglu, pārliedzieties, ka aizmugures ass ir cieši piestiprināta.
3. Aizmugurējo riteņi un paplāksni novietojiet vienā aizmugures ass pusē. **6**
4. Lai riteņi un paplāksni nofiksētu uz ass **7**, cauri ass atveri jāpiespiež tapas taisnā mala.
 - ! Salikta tapa ir parādīta **8**
 - ! Tapas izliktajai daļai jābūt izliktai virzienā ārpus ass.
 - ! Pārliedzieties, ka paplāksne atrodas starp tapu un riteņi.
5. Vāka cilnes savietojiet ar riteņa atverēm. Lai nosegtu paplāksni un tapu, vāku uzspiediet uz riteņa. **9**

Pilnībā salikti aizmugurējie riteņi ir parādīti. **10**

Ratiņu lietošana

Slīpuma regulēšana

Muguras balsta nolaišana

Muguras balstam ir 4 slīpuma režīmi.

Lai nolaiestu muguras balstu, nospiediet sēdekļa aizmugurē esošo nolaišanas rokturi **11** un muguras balstu nolaidiet uz leju. **12** Lai paceltu muguras balstu, spiediet to uz augšu.

! Pārliedzieties, ka muguras balsta slīpums ir pareizi iestatīts.

Sprādzes lietošana

Sprādzes atvēršana

Lai atvērtu sprādzi, piespiediet centrālo pogu. **13**

Sprādzes nofiksēšana

Savietojiet vidukļa siksnas sprādzi ar plecu siksnu sprādzi **14** - 1 un ar klikšķi ievietojiet centrālajā sprādzē. **14** - 2

Klikšķa atskanēšana nozīmē to, ka sprādze ir pareizi nofiksēta. **14** - 3

! Lai izvairītos no smagiem ievainojumiem, kas var rasties, izkrītot vai izslīdot no ratiņiem, vienmēr bērnu piesprādzējiet ar drošības jostu.

Pārliedzieties, ka jūsu bērns ir kārtīgi piesprādzēts. Vietai starp bērnu un plecu jostām jābūt aptuveni vienas plaukstas biezumā.

Nesakrustojiet plecu jostas. Tas var radīt spiedienu uz bērna kaklu.

Plecu un vidukļa jostu lietošana

! Lai bērnu aizsargātu pret izkrišanu, pēc bērna ievietošanas sēdekli, pārliedzieties, ka plecu un vidukļa jostas atrodas piemērotā augstumā un attālumā.

15 - 1 Plecu jostu regulators A

15 - 2 Plecu jostu regulators B

15 - 3 Bīdāmais adapters

Lielākam bērnam lietojiet plecu jostu regulatoru A un augstāk izvietotās plecu jostu atveres. Mazākam bērnam lietojiet plecu jostu regulatoru B un zemāk izvietotās plecu jostu atveres.

Plecu jostas ievietojiet ligzdās, kas atrodas vistuvāk bērna plecu augstumam. **16**

Ar bīdāmo regulatoru noregulējiet siksnas garumu. **17** - 1

Piespiediet pogu **17** - 2 un vidukļa jostu izvelciet nepieciešamajā garumā. **17** - 3

Kāju balsta regulēšana

Kāju balstam ir 2 pozīcijas.

Lai regulētu kāju ikrus atbalstu, nospiediet zem kāju ikrus atbalsta **18** - 1 esošās regulēšanas pogas un atbalstu nolaidiet vai paceliet. **18** - 2

Priekšējā kustīgā fiksatora lietošana

Lai saglabātu kustības virzienu, priekšējo kustīgo fiksatoru piespiediet uz augšu. **19**

Padoms Kustības fiksatoru ieteicams lietot uz nelidzenām virsmām.

Bremžu lietošana

Lai nofiksētu riteņus, ar kāju uz aizmuguri piespiediet bremžu sviras, kā parādīts. **20** Lai riteņus atbrīvotu, bremžu svira jāpiespiež uz priekšu.

Padoms Veicot bērna ielikšanu ratiņos un izņemšanu, jāaktivizē bremzes.

Padoms Ja ratiņi ir apstādīnātā stāvoklī, vienmēr aktivizējiet bremzes.

Padoms Lai pārliedzīnātos, ka bremzes ir pilnībā aktivizētas, pirms roktura atlaišanas ratiņus nedaudz pavelciet uz aizmuguri un uz priekšu.

Jumta lietošana

Lai atvērtu jumtu, tas jāpavelk uz priekšu. **21**

Lai salocītu jumtu, tas jāpavelk atpakaļ. **22**

Ratiņu salikšana

Piespiediet sekundāro fiksatoru **23** - 1 un piespiediet salikšanas ar vienu roku rokturi. **23** - 2 Lai ratiņus saliktu, paspiediet tos uz priekšu. Nofiksējiet ratiņus, uzglabāšanas mēlīti ievielkot uzglabāšanas stiprinājumā. **24** - 1 Ratiņi ir salikti un pilnībā nofiksēti. **24**

Pārnēsāšanas siksnas lietošana

Vienkāršai transportēšanai cieši satveriet pārnēsāšanas siksnu. **25**

Piederumu lietošana

26 - 1 Lietus pārsegs

26 - 2 Pretinsektu tīkls

26 - 3 Vecāku nodalījums

26 - 4 Pagriežams bērna paliktis

26 - 5 Roku balsts

Piederumi var tikt pārdoti atsevišķi vai var būt nepieejami atsevišķos reģionos.

Naudojimas kartu su su Joie automobiline kėdute

Naudojant kartu su vaikiška kėdute Juva, prašome laikytis šių instrukcijų.

! Jeigu jums kyla problemas naudojant vaikišką automobiline kėdutę, prašome vadovautis gamintojų pateiktomis naudojimo instrukcijomis.

! Tvirtinant vaikišką automobiline kėdutę nesulankstykite vežimėlio.

Lietus pārsega lietošana

Lai uzstādītu lietus aizsargu, tas jānovieto virs ratiņiem. Pēc tam jāpievieno 2 lietus aizsarga āķi un cilpas, un 4 fiksētāji. **27**

! Pirms lietus pārsega lietošanas, lūdzu, pārliedzieties, ka muguras balsts ir iestatīts zemākajā stāvoklī un zidaiņu autosēdekļis ir nostiprināts.

! Pēc lietus pārsega uzstādīšanas, lūdzu, uz roktura atpakaļ uzstādiēt vecāku nodalījumu.

! Lietojot lietus pārsegu, lūdzu, vienmēr pārbaudiet tā ventilāciju.

! Ja lietus pārsegs netiek lietots, pirms salocīšanas tas jānotīra un jānožāvē.

! Ja uz ratiņiem ir uzstādīts lietus pārsegs, lai novērstu auduma plīsumus un nolietojanos, tas jānoņem, kamēr netiek lietots.

! Karstā laikā nelieciet ratiņos bērnu, ja ratiņiem ir uzstādīts lietus pārsegs.

! Ja ratiņi ir lietoti pludmalē, pēc lietošanas no ratiņiem un riteņiem pilnībā jānotīra sāls un smiltis.

Pretinsektu tīkla lietošana

Ratiņu pārklāšana ar pretinieku tīklu. Lai nofiksētu pretinsektu tīklu, veiciet šādus soļus.

1. Plastmasas detaļas aizmugurē pie āķa pievienojiet elastīgo siksnu. **28** - 1
2. Nolokiet kāju balsta apakšdaļu un piestipriniet Velcro®. **28** - 2
3. Lai pretinsektu tīklu nofiksētu otrā pusē, rīkojieties tieši tādā pašā veidā.

Pilnībā uzstādīts pretinsektu tīkls ir parādīts. **28**

Vecāku nodalījuma izmantošana

Lai uzstādītu vecāku nodalījumu, tas jāpievieno pie vecāku nodalījuma stiprinājumiem, kas izvietoti abās roktura pusēs.

29

! Vecāku nodalījumā nedrīkst novietot priekšmetus, kas varētu apdraudēt bērnu un ratiņus.

Maksimālais ieteicamais svars, ko drīkst novietot vecāku nodalījumā, ir 1,36 kg.

Pagriežamā bērna nodalījuma lietošana

Pagriežamā bērna nodalījuma galu savietojiet ar atbilstošu detaļu un, lai veiktu nostiprināšanu, piespiediet uz leju. **30** **32**

Pagriežamo bērna nodalījumu iespējams pavilkt uz augšu gan kreisajā, gan labajā pusē.

Lai atvērtu pagriežamo bērna nodalījumu, piespiediet pagriežamā bērna nodalījuma atlaišanas pogu **31** - 1, bet pēc tam pavelciet uz augšu bērna nodalījumu. **31** - 2

Roku balsta lietošana

Roku balstu savietojiet ar atbilstošu detaļu un, lai veiktu nostiprināšanu, piespiediet uz leju. **33** **35** Roku balstu iespējams pavilkt uz augšu gan kreisajā, gan labajā pusē.

Lai roku balstu atvērtu, piespiediet roktura atlaišanas pogu **34** - 1 un pēc tam pavelciet roku balstu uz augšu. **34** - 2

Padoms Roku balstu ir iespējams noņemt, lai varētu ērti novietot un izņemt bērnu.

Kopšana un apkope

1. Noņemamo sēdekļa paliktņi drīkst mazgāt aukstā ūdenī un žāvēt bez izgrīšanas. Nebalināt.
2. Ratiņu rāmja tīrīšanai lietojiet saimniecības ziepes un siltu ūdeni. Nelietot balinātāju vai mazgāšanas līdzekli.
3. Regulāri pārbaudiet, vai nav atskrūvējušās ratiņu skrūves, vai ratiņiem nav nodilušas detaļas, saplēsti materiāli vai atirušas šuves. Ja nepieciešams, veiciet detaļu nomaiņu.
4. Intensīva saules vai karstuma ietekme var radīt detaļu vai apšuvuma izbalēšanu.
5. Ja ratiņi ir samirkuši, atveriet jumtu un pirms uzglabāšanas ļaujiet ratiņiem pilnībā izžūt.
6. Ja riteņi sāk čīkstēt, lietojiet smērvielu (piemēram, silikona aerosolu, pretrūsas eļļu vai šujmašīnas eļļu). Ļoti svarīgi, lai eļļa iekļūtu ass un riteņa mezglā. **1**
7. Ja ratiņi ir lietoti pludmalē, pēc lietošanas no ratiņiem un riteņiem pilnībā jānotīra sāls un smiltis.

Gratulálunk, hogy Ön is a Joie család tagja lett! Nagyon örülünk, hogy részesei lehetünk a kisgyereke életútjának. Amikor a Joie MUZE™ gyerekkocsival utazik, Ön egy kitűnő minőségű, teljes mértékben jóváhagyott gyerekkocsit használ, amely megfelel az EN 1888-1:2018 szabványnak. Ez a termék megfelel 15kg alatti gyerekek számára. Kérjük figyelmesen olvassa el ezt a kézikönyvet és kövesse a lépéseket, hogy kényelmes utazást és a legjobb védelmet biztosítsa a gyermekének.

FONTOS - OLVASSA EL FIGYELMESEN ÉS TARTSA MEG A KÉSŐBBIEKRE.

A kézikönyvek letöltéséhez látogasson el a joiebaby.com címre, itt láthat további érdekes Joie termékeket. Garanciális információkért kérjük látogasson el weboldalunkra a joiebaby.com címen.

Tartalom

Ábra	1-7
Figyelmeztetés	155
Gyerekkocsi összeszerakása	156
Nyissa ki a gyerekkocsit	156
Szerelje össze az első kerekeket	156
Szerelje össze a hátsó kerekeket	156
Gyerekkocsi kezelése	157
Állítsa a döntést	157
Használja a csatot	157
Használja a váll és csípőhámszíjat	157
Lábtartó állítása	158
Első elfordító zár használata	158
Fék használata	158
Fedél használata	158
Hajtsa össze a gyerekkocsit	158
Hordozó szíj használata	158
Tartozékok használata	158
Gondozás és karbantartás	160

Sürgősség

Sürgősség vagy baleset esetén a legfontosabb, hogy a gyerekek viselje gondját azonnali elsősegéllyel vagy orvosi kezeléssel.

Termékinformáció

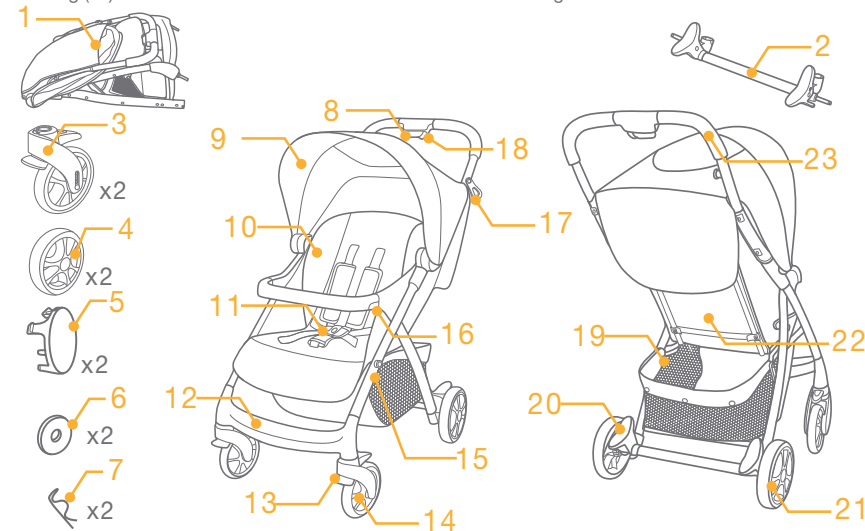
A termék használata előtt olvassa el az útmutatóban lévő összes utasítást. Amennyiben további kérdései vannak, tanácskozzon közvetlenül a forgalmazóval. Egyes funkciók modellfüggőek.

Termék	Gyerekkocsi
Megfelelő	15kg alatti gyerekeknek (születéstől - 36 hónapos korig)
Anyag	Műanyag, fém, szövet
Szabványszám	Szabvány fenntartott
Gyártva	Kínában
Márkanév	Joie
Weboldal	www.joiebaby.com
Gyártó	Allison Baby UK Ltd

Alkatrészek listája

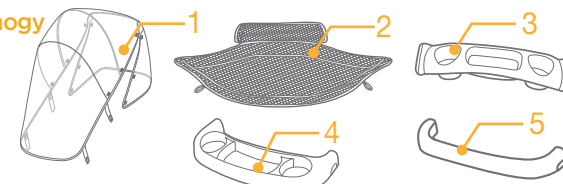
Győződjön meg, hogy minden alkatrész rendelkezésre áll, mielőtt nekilát az összeszerelésnek. Amennyiben valamelyik alkatrész hiányzik, kérjük vegye fel a kapcsolatot a helyi kereskedővel. Az összeszereléshez nincs szükség semmilyen szerszámmra.

1 Gyerekkocsi keret	8 Egy kézzel összehajtható fogantyú	13 Elfordító zár	19 Tároló kosár
2 Hátsó kerék	9 Fedél	14 Első kerék	20 Fékkar
3 Első kerék (x2)	10 Ülőpárna	15 Tároló retesz szerelése	21 Hátsó kerék
4 Hátsó kerék (x2)	11 Csát	16 Kar kiengedés	22 Háttámla
5 Fedő (x2)	12 Lábtartó	17 Tároló retesz	23 Fogantyú
6 Alátét (x2)		18 Másodlagos zár	
7 Szög (x2)			



Tartozékok (lehet hogy nincsenek mellékelve)

- 1 Eső elleni takaró
- 2 Szúnyogháló
- 3 Szülő tálca
- 4 Forgó gyerektálca
- 5 Karfa



Tartozékokat árulhatnak külön vagy megtörténhet hogy nem elérhetőek a régiótól függően.

FIGYELMEZTETÉS

- ! FIGYELEM Mindig használja az ülésrendszert
- ! FIGYELEM Mindig használja a lábak közötti és a csípőöv kombinációját. Ajánlott a vállhámcsíj használata is.
- ! FIGYELEM Használat előtt győződjön meg, hogy minden záró eszköz be van kapcsolva.
- ! FIGYELEM A sérülések elkerülése érdekében bizonyosodjon meg, hogy a gyerek távol van tartva amikor összehajtja vagy kinyitja a terméket.
- ! FIGYELEM Ne engedje a gyermeket játszani ezzel a termékkel.
- ! Az összeszerelést felnőtt személynek kell elvégeznie.
- ! A gyerekkocsinak olyan gyerekekkel való használata, akinek a súlya 15 kg-nál több, kárt okozhat a gyerekkocsiban.
- ! Hogy megelőzzön egy veszélyes, instabil helyzetet, ne tegyen 4,5 kg-nál nagyobb súlyt a tároló kosárba.
- ! FIGYELEM Soha ne hagyja felügyelet nélkül a gyermeket. Mindig tartsa szem előtt a gyermeket amíg a gyerekkocsiban van.
- ! A gyerekkocsit egyszerre csak egy gyerekekkel használja. Soha ne tegyen táskát, vásárlótáskát, csomagokat vagy más tartozék elemeket a fogantyúra vagy fedélre.
- ! A kocsi túlterhelése, helytelen összecukása vagy más gyártó alkatrészeinek használata károsíthatja a gyerekkocsit, eltörheti vagy bizonytalaná teheti ezt. Kérjük olvassa el a kezelési útmutatót figyelmesen.
- ! Kérjük olvasson el minden útmutatót a kézikönyvben mielőtt használná a terméket. Kérjük tegye el a kezelési kézikönyvet a jövőbeni felhasználásra. Amennyiben figyelmen kívül hagyja a figyelmeztetéseket és útmutatásokat, ez komoly sérülést vagy halált okozhat.
- ! A biztonsági öveket és rögzítő rendszereket helyesen kell használni.
- ! A kiesés vagy kicsúszás miatt bekövetkező komoly sérülések megelőzése érdekében mindig használja a biztonsági övet.
- ! Győződjön meg, hogy a gyerek teste nem akad be a mozgó alkatrészekbe amikor a gyerekkocsit állítja.
- ! Ha nem használja a hámszíjakat, a gyerek becsúszhat a lábnyílásokba és becsúszhat a kocsiba.
- ! Soha ne használjon gyerekkocsit lépcsőkön vagy mozgólépcsőkön.
- ! Tartsa távol magas hőmérsékletű tárgyaktól, folyadékoktól és elektroniktól.
- ! Ne helyezzen semmilyen tárgyat a szülő tálcájába, ami a gyermeket vagy a gyerekkocsit károsíthatja.
- ! Soha ne engedje a gyermeknek hogy felálljon a gyerekkocsira vagy úgy üljön a gyerekkocsiba hogy a feje a kocsi eleje felé legyen.
- ! Soha ne helyezze a gyerekkocsit útra, lejtőkre vagy veszélyes zónába.
- ! Győződjön meg, hogy minden mechanizmus rögzítve van, mielőtt a gyerekkocsit használná.
- ! Az esetleges fulladások megelőzése érdekében ne tegyen zsinórral ellátott tárgyakat a gyermek nyaka köré, ne függessen fel zsinórokat az utazó gyerekágyra, és ne kössön zsinórokat a játékokra.
- ! Ahhoz, hogy megelőzze a feldőlést, soha ne tegyen semmit a fogantyúra. Mindig emelje be és ki a gyermeket a gyerekkocsiból.
- ! NE emelje fel a gyerekkocsit amíg a gyerek a kocsiban van.
- ! NE használja a tároló kosarat gyerekhordozónak.

- ! A gyerekkocsi feldőlésének megelőzése érdekében soha ne engedje a gyermeket felmászni rá.
- ! Kerülje el az ujj becsípését, figyeljen oda amikor összehajtja vagy kinyitja a gyerekkocsit.
- ! Győződjön meg, hogy a gyerekkocsi teljesen ki van nyitva, vagy össze van csukva mielőtt a gyermeket a gyerekkocsi közelébe engedi.
- ! A gyerek biztonságának érdekében kérjük győződjön meg, hogy minden alkatrész össze van szerelve és megfelelően meg van húzva mielőtt a gyerekkocsit használja.
- ! FIGYELEM Használat előtt ellenőrizze, hogy a gyerekkocsi szerkezete és az ülés vagy autós gyerekülés tartozék eszközei helyesen vannak összeszerelve.
- ! Ahhoz, hogy megelőzze a fulladást, győződjön meg hogy a gyerek távol van a fedéltől.
- ! Mindig használja a fékeket amikor leparkolja a gyerekkocsit.
- ! Ne használja tovább a gyerekkocsit ha sérült vagy törött.
- ! A gyerekkocsit csak lépésben használja. Ez a termék nem kocogásra készült.
- ! A fulladás elkerülése érdekében távolítsa el a műanyag zsákot és a csomagolóanyagokat mielőtt használná a terméket. A műanyag zsák és a csomagolóanyagot tartsa távol csecsemőktől és gyerekektől.
- ! Ez a termék nem megfelelő kocogásra vagy görkorcsolyázásra.
- ! A legnagyobb ajánlott súly a szülő tálcájában 1,36kg/ 3lbs.
- ! A születéstől használható gyerekkocsikat ajánlott a legjobban megdöntött helyzetben használni újszülött gyerekeknél.
- ! A parkoló eszközt kapcsolja be amikor behelyezi és kiveszi a gyermeket.
- ! Az alvással együtt használt csecsemőhordozó esetén ez a jármű nem helyettesíti a kosarat vagy ágyat. Amennyiben a gyermeknek alvásra van szüksége, egy megfelelő kocsiba, kosárba vagy ágyba kell helyeznie.
- ! Különleges figyelemre van szükség ha mozgó járműben használja és a gyermeket nem szabad felügyelet nélkül hagyni, akkor sem ha a fékeket bekapcsolta.
- ! A gyártó által nem jóváhagyott tartozékokat ne használja.

Gyerekkocsi összeszerakása

A termék használata és összeszerelése előtt kérjük olvassa el az útmutatóban lévő összes utasítást.

Nyissa ki a gyerekkocsit

Ha a gyerekkocsi az 2 - 1 ábra szerint le van zárva, kérjük válassza el a tároló reteszt 2 - 2 a tároló retesz rögzítésétől 2 - 3, és ezután emelje fel a fogantyút, hogy kinyissa a gyerekkocsit. A „kattanó” hang azt jelenti a gyerekkocsi teljesen nyitva van. 2

! Ellenőrizze hogy a gyerekkocsi teljesen nyitva van, mielőtt tovább használná.

Szerelje össze az első kerekeket

Rögzítse az első kerekeket az első lábakhoz. Ellenőrizze, hogy a kerekek biztonságosan rögzítve vannak, meghúzva a kerekeket. 3

Az első kerekeket leszerelheti a kioldó gombokat hátrahúzva. 4

Szerelje össze a hátulsó kerekeket

Szerelje össze a hátulsó kerekeket a következő lépésekkel.

1. Távolítsa el a két végső fesőt a hátulsó tengelyről, mielőtt a hátulsó kerekeket szereli. 5 - 1

- Szerelje a hátsó kerekeket a hátsó lábakra **5**. Ellenőrizze, hogy a hátsó tengely biztonságosan rögzítve van, meghúzva a hátsó tengelyt.
- Helyezze a hátsó kerekeket és alátéteket a hátsó tengely egyik oldalára. **6**
- A keréknek és az alátétnek a tengelyhez való rögzítéséhez nyomja a tű egyenes végét keresztül a tengelyen levő lyukon. **7**.
Az összeszerelt tű az ábrán látható **8**.
! A tű görbített oldala a tengely külsejére kell rácsavarodjon.
! Győződjön meg, hogy az alátét a tű és a kerék között van.
- Igazítsa egy vonalba a fedeleket a lyukakkal a keréken, pattintsa a fedőt a kerékre, hogy befedje az alátétet és a tűt. **9**

A teljesen összeszerelt hátsó kerekeket az ábra mutatja **10**.

Babakocsi kezelése

A döntés állítása

A háttámla döntése

A háttámla 4 szögbe állítható.

A háttámla döntéséhez szorítsa meg a döntő fogantyút az ülés hátoldalán **11** és húzza le a háttámlát. **12** A hátoldal felemelése

! Győződjön meg, hogy a döntés megfelelően van állítva a használathoz.

Használja a csatot

Engedje ki a csatot

A csat kiengedéséhez nyomja meg a középső gombot. **13**

Zárja le a csatot

Párosítsa a csípőhámszíjat a vállzárral **14** - 1, és kattintsa be a középső csatba. **14** - 2

A „kattanó” hang azt jelenti a csat teljesen zárva van. **14** - 3

! A kiesés vagy kicsúszás miatt bekövetkező komoly sérülések megelőzése érdekében mindig rögzítse a gyereket hámszíjakkal.

! Győződjön meg, hogy a gyerek megfelelően rögzített. A gyerek és a vállhámszj közötti távolság körülbelül egy kézvastagságnyi.

! Ne keresztezze a vállszíjakat. Ez nyomást gyakorol a gyerek nyakára.

Használjon váll és csípőhámszíjat

! Ahhoz hogy a gyereket megvédje a kieséstől, miután a gyereket behelyezte az ülésbe, ellenőrizze, hogy a váll és csípőhámszíjak megfelelő magasságban vannak és megfelelő hosszúságúak.

15 - 1 Vállhámszj rögzítő A

15 - 2 Vállhámszj rögzítő B

15 - 3 Csúszóállító

Nagyobb gyerek esetében használja az A vállhámszj rögzítőt és a legmagasabb vállpánt nyílást. Kisebb gyerek esetében használja a B vállhámszj rögzítőt és a legalacsonyabb vállpánt nyílást.

Használja vagy a vállhámszíjat azokban a nyílásokban amelyek a legközelebb vannak a gyerek vállához. **16**

Használja a csúszás állítót, hogy a hámszj hosszán állítson. **17** - 1

Nyomja meg a gombot **17** - 2, miközben a csípőhámszíjat húzza a megfelelő hosszúságra **17** - 3.

Lábtartó állítása

A lábtartónak két helyzete van.

A lábtartó állításához nyomja meg az állító gombokat a lábtartó alatt **18** - 1 és fordítsa a lábtartót lefele vagy felfele. **18** - 2

Első elfordító zár használata

Húzza fel az első elfordító zárat, hogy megtartsa a mozgási irányt. **19**

Tipp Egyetlen felületen ajánlott az elfordító zárok használata.

A fék használata

A kerék lezárásához lépjen hátra a fékfogantyún, mint az ábrán **20**, Lépjen előre a fékfogantyún, hogy felengedje a kereket.

Tipp A féket kapcsolja be amikor behelyezi és kiveszi a gyereket.

Tipp Mindig fékezze be amikor a gyerekkocsi álló helyzetben van.

Tipp Ahhoz hogy meggyőződjön róla, hogy a fék teljesen be van húzva, könnyedén mozgassa meg a gyerekkocsit előre és hátra mielőtt elengedné a fogantyút.

Tipp A teljes működés érdekében tisztítsa meg időszakosan a fékrendszert. Lásd a kezelés és karbantartás fejezetet.

A fedél használata

A fedél kinyitásához húzza előre a fedelet. **21**

A fedél összehajtásához húzza hátra a fedelet. **22**

Hajtsa össze a gyerekkocsit

Nyomja meg a másodlagos zárat **23** - 1 és szorítsa meg az egy kézzel összehajtható fogantyút **23** - 2.

Összehajtáshoz nyomja előre a gyerekkocsit. Zárja le a gyerekkocsit a tárolóreteszt a tárolóretesz rögzítőbe dugva **24** - 1. A gyerekkocsi teljesen össze van hajtva és le van zárva. **24**

Hordozó szj használata

Biztonságosan fogja meg a hordozószíjat a könnyű szállításhoz. **25**

Tartozékok használata

26 - 1 Eső elleni borító **26** - 2 Szúnyogháló **26** - 3 Szülő tálcá

26 - 4 Forgó gyerektálca **26** - 5 Karfa

Tartozékokat árulhatnak külön vagy megtörténhet hogy nem elérhetők a régiótól függően.

A Joie gyerekülés használata

Amikor Joie juva csecsemőhordozóval használja, kérjük olvassa el az alábbi utasításokat.

! Amennyiben problémája adódik a csecsemőhordozó használatával, kérjük olvassa el ezek kezelési útmutatóját.

! Kérjük ne hajtsa össze a gyerekkocsit, amikor a gyerekülést csatolta.

Az eső elleni borító használata

Az eső elleni borító összeállításához helyezze a gyerekkocsi fölé, majd kapcsolja össze a 10 pár horgot és a hurokszorítókat az eső elleni borítón. **27**

- ! Mielőtt az eső elleni borítót használná, kérjük győződjön meg, hogy a háttámla nincs a legalsó helyzetben és a csecsemőhordozó rögzítve van.
- ! Miután összerakta az eső elleni borítót, kérjük szerelje össze újra a szülőtálcát a fogantyún.
- ! Amikor használja az eső elleni borítót, kérjük mindig ellenőrizze a szellőzést.
- ! Amikor nem használja, kérjük ellenőrizze hogy az eső elleni borítót megtisztította és megszáritotta mielőtt összehajtja.
- ! Ha az eső elleni borító a gyerekkocsin van, mindig távolítsa el az eső elleni borítót, hogy megelőzze ennek elszakadását.
- ! Meleg időben ne tegye a gyereket a gyerekkocsiba ha az eső elleni borítót felszerelte.
- ! Ha a gyerekkocsit használja, tisztítsa meg teljesen a gyerekkocsit hogy eltávolítsa a homokot és sót a fék és kerékrendszerből.

A szúnyogháló használata

Takarja be a gyerekkocsit a szúnyoghálóval Kövesse az alábbi lépéseket a szúnyogháló rögzítéséhez.

1. Rögzítse a gumis pántot a horoghoz a műanyag hátoldalon levő horoghoz. **28 - 1**
2. Csavarja össze a lábtartó alsó szélét és rögzítse Velcro® tépőzárral. **28 - 2**
3. Ismétlje meg a fenti lépéseket a szúnyogháló másik oldalának rögzítéséhez.

Az összeszerelt szúnyogháló az ábrán látható **28**.

A szülő tálcá használata

A szülő tálcá összeszereléséhez rögzítse a szülő tálcát a szülőtálcá rögzítőkhöz a fogantyú mindkét oldalán. **29**

- ! Ne helyezzen semmilyen tárgyat a szülő tálcájába, ami a gyereket vagy a gyerekkocsit károsíthatja.
- ! A legnagyobb ajánlott súly a szülő tálcájában 1,36kg/ 3lbs..

Forgó gyerektálcá használata

Igazítsa a forgó gyerektálcá végét a találó alkatrészekhez, majd nyomja le a szerkezetet. **30 32**

A forgó gyerektálcá felfele húzható jobb és bal oldalon egyaránt.

A forgó gyerektálcá kinyitásához nyomja meg a forgó gyerektálcá kioldó gombját. **31 - 1**, és húzza felfele a forgó gyerektálcát. **31 - 2**

Karfa használata

Igazítsa a karfa végét a találó alkatrészekhez, majd nyomja le a szerkezetet. **33 35**

A karfa felfele húzható jobb és bal oldalon egyaránt.

A karfa kinyitásához nyomja meg a karfa kioldó gombot **34 - 1**, majd húzza fel a karfát. **34 - 2**

Tipp A karfa kinyitható a gyerek könnyű betevéséhez éls kivételéhez.

Gondozás és karbantartás

1. Az eltávolítható ülés párnát hideg vízben moshatja és akassza ki száradni. Ne fehérítse.
2. A gyerekkocsi keretet kizárólag háztartási szappannal és meleg vízzel tisztítsa meg. Ne használjon fehérítőt vagy mosószeret.
3. Rendszeres időközönként ellenőrizze, hogy nincsenek-e meglazult csavarok, elhasználódott alkatrészek, illetve elszakadt anyagdarabok vagy varrások a gyerekkocsin. Szükség esetén cserélje le vagy javítsa meg az alkatrészeket.
4. Túlzott napfény vagy hő hatására az alkatrészek kifakulhatnak vagy deformálódhatnak.
5. Ha a gyerekkocsi nedves lesz, nyissa ki a fedelet és hagyja megszáradni tárolás előtt.
6. Ha a kerekek nyikorognak, használjon olajat (pl. Szilikon spray, rozsda gátló olaj vagy varrógépolaj). Fontos hogy az olaj a tengelyre és a kerékhez jusson. **1**
7. Ha a fékpedál szorul/nehez teljesen lenyomni, mosson ki tiszta vízzel minden szennyeződést a fékrendszerből mielőtt megolajozná.
8. Ha a gyerekkocsit strandon vagy nagyon homokos/poros helyen használja, tisztítsa meg teljesen a gyerekkocsit hogy eltávolítsa a homokot és sót a fék és kerékrendszerből.

The logo for Joie, featuring the word "Joie" in a white, sans-serif font with a small leaf icon above the letter 'i'. A trademark symbol (TM) is positioned to the upper right of the word. The logo is set against a solid orange square background.

Joie™

Allison Baby UK Ltd,
Venture Point, Towers Business Park
Rugeley, Staffordshire, WS15 1UZ

bring the kids™

Share the joy at joiebaby.com

P-IM0021U