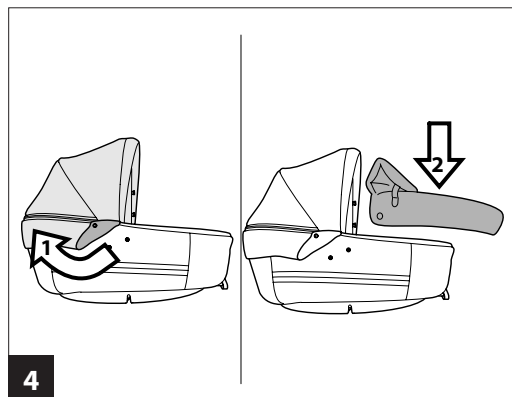
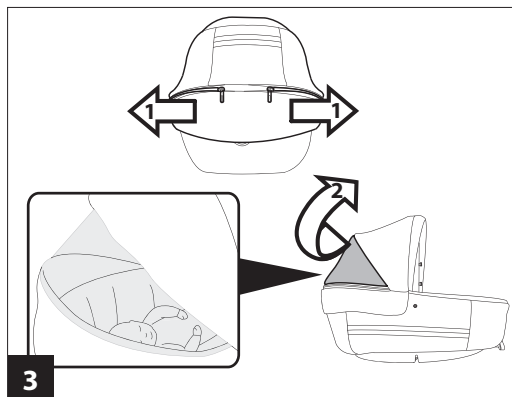
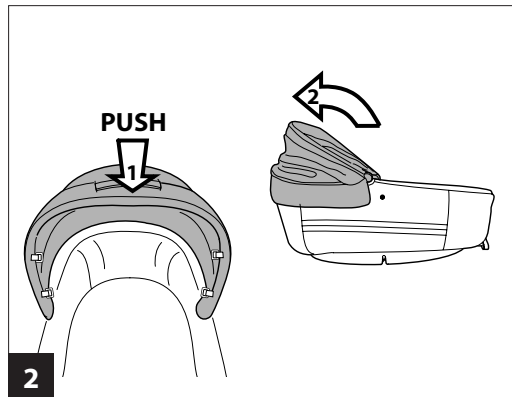
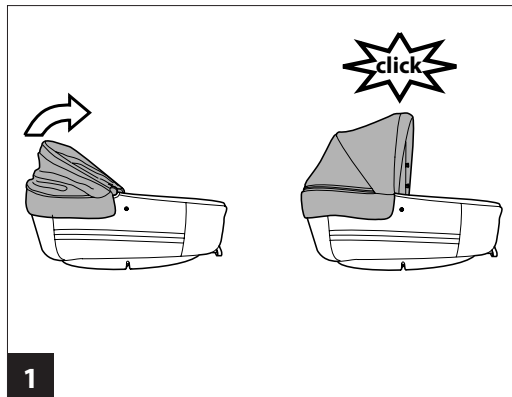


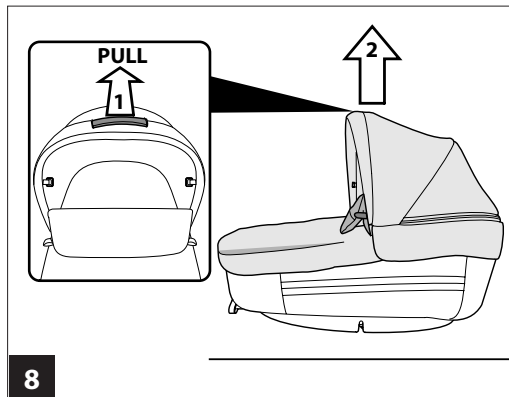
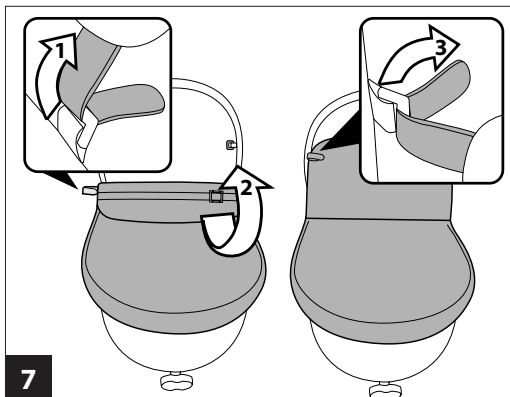
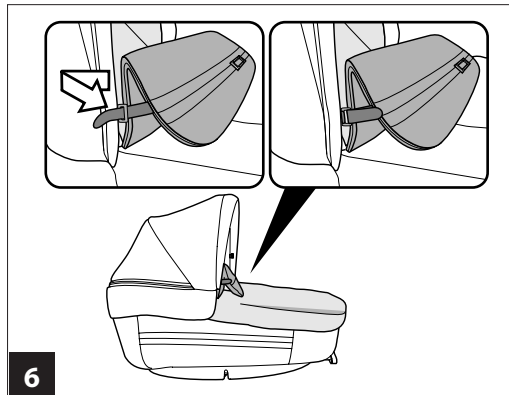
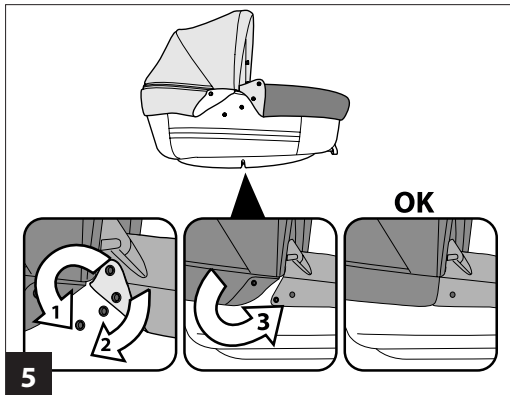
IT Istruzioni d'uso
EN Instructions for use
FR Notice d'emploi
DE Gebrauchsanleitung
ES Instrucciones de uso
BR-PT Instruções para uso
NL Gebruiksaanwijzing
DK Brugsanvisning
FI Käyttöohjeet
CZ Návod na použití
SK Návod na použitie

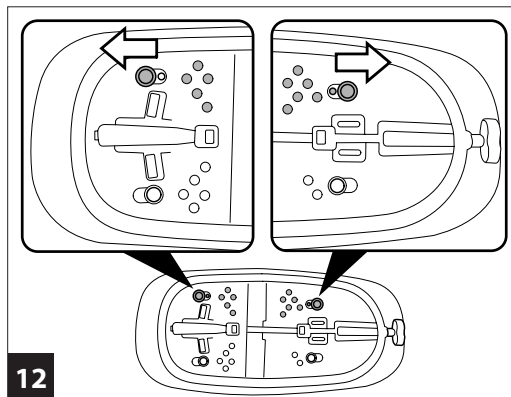
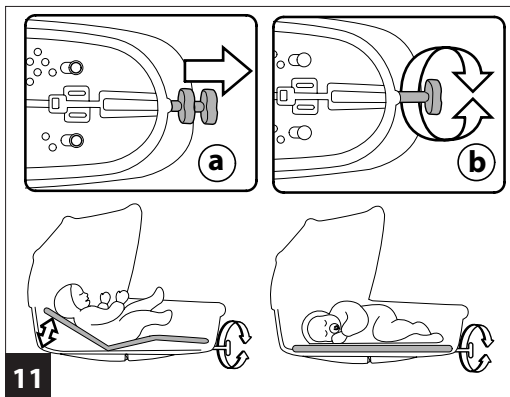
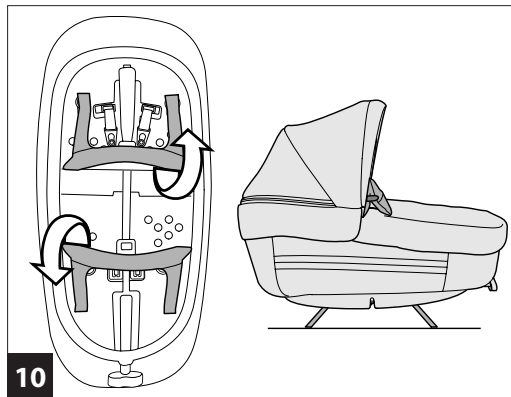
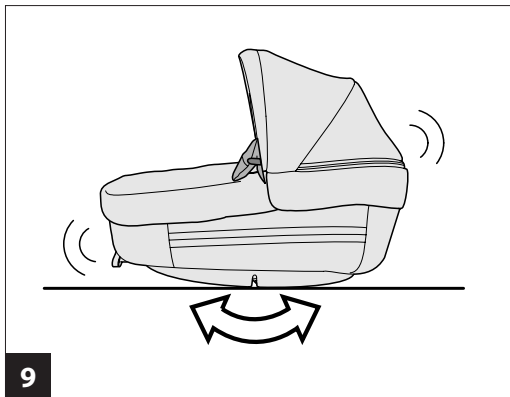
HU Használati útmutató
SL Navodila za uporabo
RU Инструкции по пользованию
TR Kullanım kılavuzu
HR/SRB/MNE/BiH Upute za uporabu
PL Instrukcja obsługi
UA Інструкція з використання
EL Οδηγίες χρήσεως
AR مادخ تسال اتام لعت
FA هدافت سا ی اهل مع لاروت سد

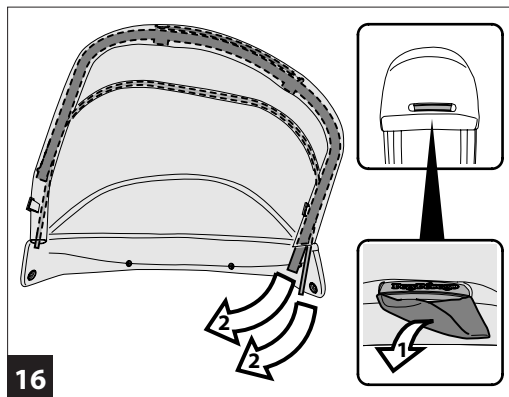
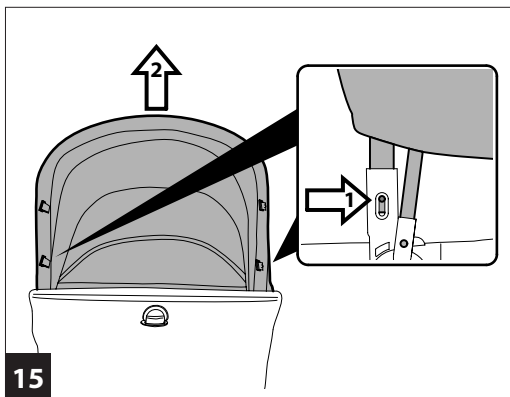
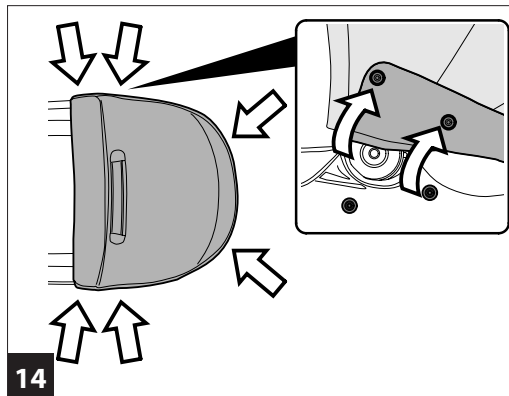
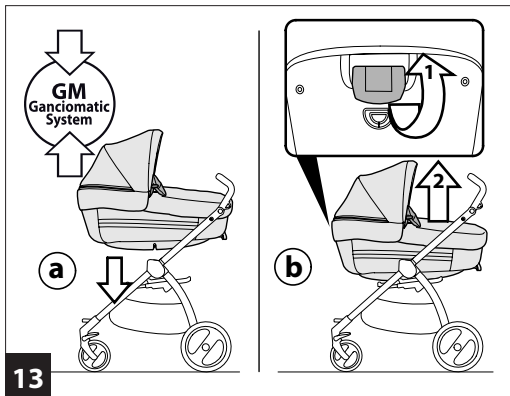
Culla Elite

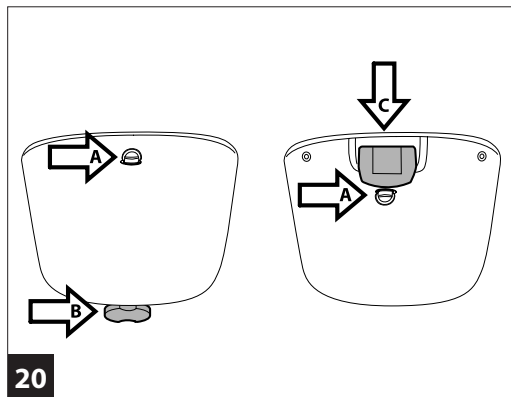
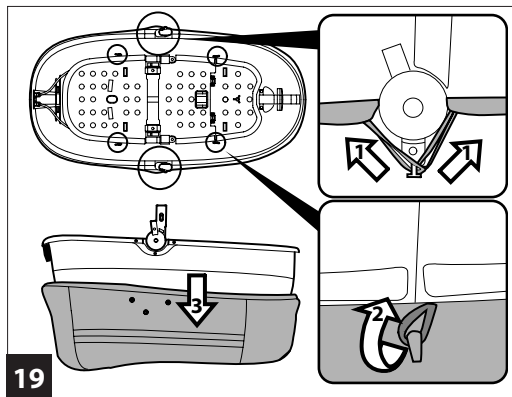
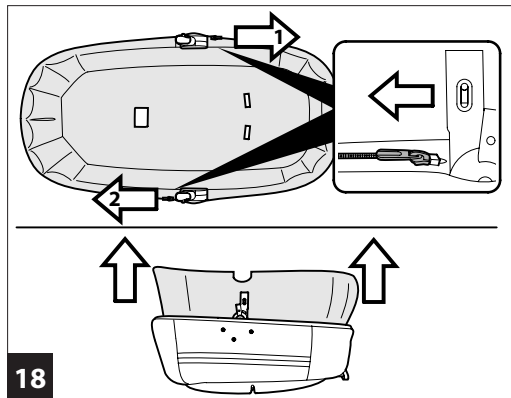
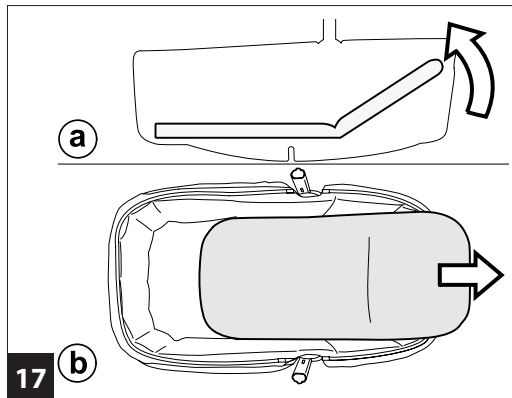
Peg-Pérego

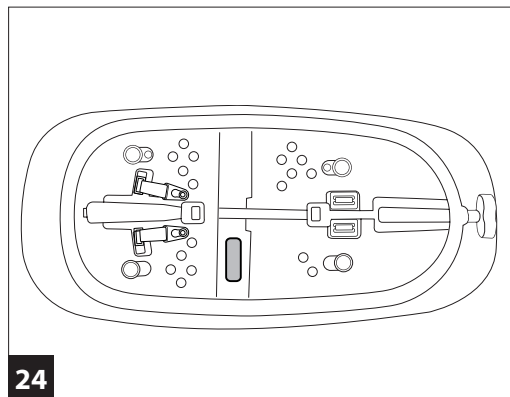
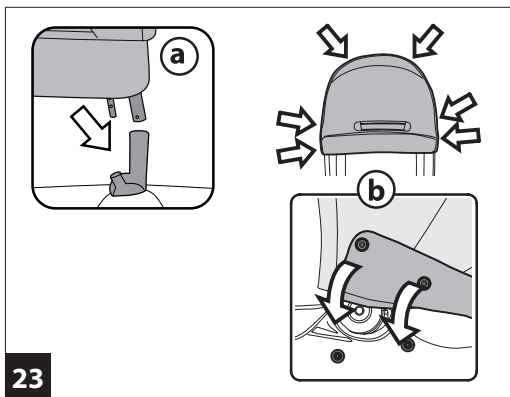
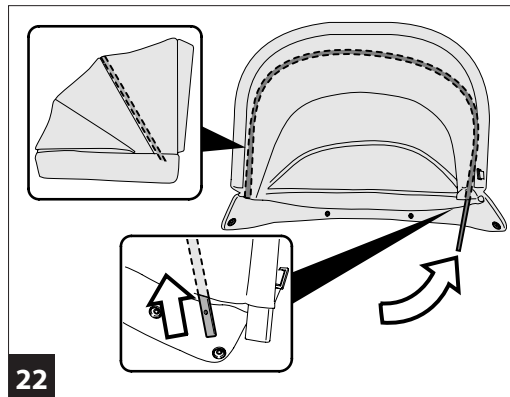
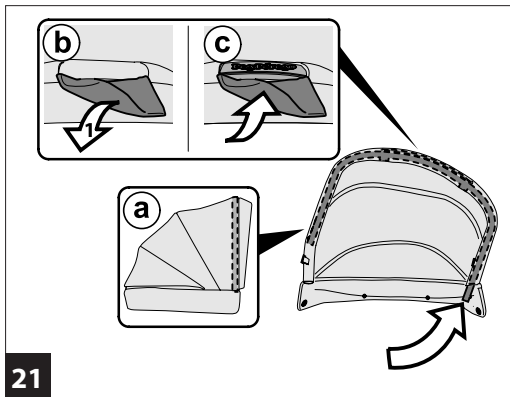




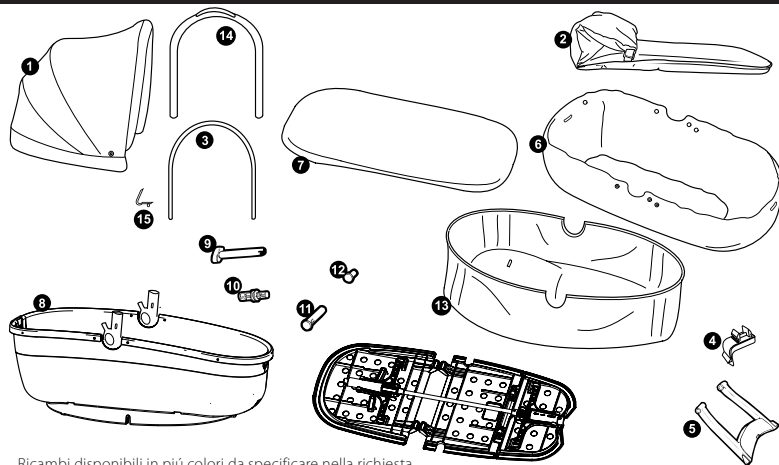








Culla Elite



- 1) BCANEC00-
- 2) BCONEC00-
- 3) SOPA0156L50
- 4) SPST6647GL
- 5) SPST6643GR
- 6) BSANEC00-
- 7) BMANEC00-
- 8) ITNA09-
- 9) SAPI6656GR
- 10) SPST5403R
- 11) SPST6658GL
- 12) SPST5274GL
- 13) BINNEC00-
- 14) ARPI0798-
- 15) MMMO0281

- IT- Ricambi disponibili in più colori da specificare nella richiesta.
 EN- Spare parts available in different colours to be specified when ordering.
 FR- Pièces de rechange disponibles en plusieurs couleurs à spécifier dans la demande.
 DE- Ersatzteile in mehr Farben vorhanden, die in der Anfrage spezifiziert werden müssen.
 ES- Repuestos disponibles en otros colores que se especificarán en el pedido.
 BR-PT- Peças de reposição disponíveis em cores alternativas a serem especificadas no pedido.
 NL- Reserveonderdelen verkrijgbaar in meerdere kleuren, bij bestelling te specificeren.
 DK- Reservedele kan leveres i flere farver som bør specificeres ved bestillingen.
 FI- Varaosia saatavana eri värisinä: ilmoita väri tilauksessa.
 CZ- U náhradních dílů, které jsou k dispozici ve více barvách, je nutné na objednávce specifikovat příslušnou barvu.
 SK- Pri náhradných dieloch, ktoré sú k dispozíci v viacerých farbách, je potrebné pri objednávke špecifikovať želanú farbu.
 HU- A tartalék alkatrészek különböző színekben elérhetők, melyeket rendeléskor kell kiválasztani.
 SL- Rezervni deli so na voljo v več barvah, ki jih je treba navesti pri naročilu.
 RU- Запчасти имеются различных цветов, необходимый указать в запросе.
 TR- Siparişte belirtilen deęisik renklerdeki yedek parçaları mevcuttur.
 HR/SRB/MNE/BiH-Zamjenski dijelovi dostupni u više boja što je potrebno specificirati u narudžbi.
 PL- Części zamiennie gondolki są dostępne w różnej kolorystyce.
 UA- Частини доступні в декількох кольорах, які будуть вказані в запиті.
 EL- Ανταλλακτικά διαθέσιμα σε διάφορα χρώματα. Προσδιορίστε όταν παραγγείλετε.
 AR- قطع غيار متاحة بأكثر من لون و تُحدد في الطلبية.
 FA- اجزاء متوفرة في أكثر من الألوان لتكون محددة في الطلب.

EN_English

Thank you for choosing a Peg-Pérego product.



WARNING

IMPORTANT: read the instructions carefully before use and keep for future reference. Your child's safety could be at risk if you do not follow these instructions.

- **WARNING:** this product is only suitable for a child who cannot sit up unaided.
- **WARNING:** this product is suitable for children who cannot sit unaided, cannot roll and are unable to raise themselves on their hands and knees. Maximum weight of child: 9 Kg.
- **WARNING: only use on a firm, horizontal level and dry surface.**
- **WARNING:** Do not let other children play unattended near the carry cot.
- **WARNING: do not use if any part of the Culla Elite is broken, torn or missing.**
- Only replacement parts supplied or recommended by the manufacturer/distributor shall be used.
- Do not use the item near stairs or steps, near heat sources, open flames

or dangerous objects that are within reach of the child.

- Assembly and preparation of the product must be carried out by adults.
- **WARNING: before use make sure that all of the attachment mechanisms are connected properly.**
- Do not insert fingers into the mechanisms.
- Do not use accessories which are not approved by the manufacturer.
- This product is designed for children from birth up to the weight of 9 kg.
- **WARNING:** To avoid injury ensure that the child is kept away when unfolding and folding this product.
- **WARNING:** When lying, ensure that the baby's head is not below the body.
- Before use, inspect handles and the bottom of the carry cot for checking presence of signs of damage and wear.
- Make sure the handle bar is in the correct position for use before lifting the Culla Elite.
- This product is designed to hold a sleeping baby. Once the baby is asleep, the bassinet's backrest should be lowered completely.
- Before unfastening and lifting the bassinet from the frame, adjust the backrest to its lowest position

- Do not add or use mattresses different from the original one.

COMBINED WITH CHASSIS:

- This product is compatible with the following original Peg-Pérego products: Carrello Book, Scout, Classico, Team, Duette Piroet.
- **WARNING:** make sure that all the attachment devices of the Culla Elite are correctly fixed before using.
- **WARNING: never leave the child unattended.**

COMBINED WITH STAND:

- **WARNING:** This product is compatible with the following original Peg-Pérego products: Home Stand.
- **WARNING: Do not use if any part of the stand is broken, torn or missing.**
- **WARNING:** Do not let other children play unattended near the carry cot and stand.

The images referring to the textile details may differ from the collection purchased.

For more information, consult our website: www.pegperego.com.

Instructions for use **Using the Culla Elite**

- 1 HOOD: to lift the hood completely, pull it until it clicks.

- 2 To lower the hood, press down on the upper part of same and, at the same time, lower it.
- 3 The hood comes with a mesh insert so that the baby can be seen from any position. Pull the zippers as shown in the picture and pull the hood further, to reveal the mesh insert.
- 4 FOOT MUFF: to secure it correctly:
 - Unfasten the hood button.
 - Position the foot muff in the bassinet.
- 5 Button the foot muff following the sequence as illustrated. The foot muff in the figure is properly attached.
- 6 Fasten the velcro straps as illustrated.
- 7 The velcro straps can be used to fasten the foot muff to the hood, so as to protect the child even more against the elements. Unfasten the sides of the foot muff (arrow_a), unfold it upwards (arrow_b) and fasten it to the hood with the velcro straps (arrow_c);
- 8 CARRY HANDLE: this is built into the hood. To carry the bassinet, lift the hood (if lowered) until it clicks and hold the handle placed above it.
 - **Before lifting the bassinet, ensure the built-in hood is correctly fastened.**
 - Before lifting the bassinet, make sure the hood is in the correct position for transport.
 - Before unfastening and lifting the bassinet from the frame, adjust the backrest to its lowest position (figure 11).
- 9 ROCKING POSITION: The base of the Culla Elite has a special shape which allows you to rock the child when it is placed on a flat surface.
- 10 COT POSITION: It is possible to make the Culla Elite into a non-rocking cot by opening out the two legs under the base.
- 11 ADJUSTING THE BACKREST AND THE FOOTREST: with the COMFORT SYSTEM, backrest and footrest can be adjusted simultaneously. Pull the knob outwards (fig_a) while turning it (fig_b) to raise or lower the backrest and the footrest.
- 12 FOUR SEASONS SYSTEM: as shown in the figure, it is possible to adjust the product's air circulation from the base in order to prevent condensation. To create a cool, well ventilated environment (in summer), open the holes by moving the 4 levers outwards. To limit the entry of air (in winter), move the levers inwards.

Ganciomatic system

- 13 Ganciomatic is the quick, practical system that allows you to attach the Culla Elite to the Ganciomatic clips of a stroller or the base of a chassis.
To attach the Culla Elite, put it on the stroller or the chassis and press with both hands until it clicks into place.
Always apply the brakes on the stroller or chassis before attaching and removing the Culla Elite.
Check that the bassinet unit is properly attached.
- To release it, raise the lever of the Ganciomatic clip (arrow_a) and lift up the Culla Elite (arrow_b).

Removing the lining

- 14 **REMOVING THE HOOD LINING:**
To remove the hood, unbutton the 6 buttons on the lower edge.
- 15 Press the buttons on the two attachments and remove the hood.
- 16 Remove the flap of fabric from under the handle of the hood and remove the two rigid supports.
- 17 **REMOVING THE CULLA ELITE INNER LINING:**
Raise the backrest (fig_a). This makes it easier to remove the per mattress (fig_b).
- 18 Remove the inner lining by opening the two zips on the edge of the Culla Elite.
- 19 **REMOVING THE CULLA ELITE OUTER LINING:**
- Unfasten all the rubber bands as illustrated.
 - Remove the outer fabric.
- 20 **WARNING: when replacing the outer lining of the bassinet, ensure you fit it on correctly with all external components left on the outside, i.e.: rings for fastening the vehicle kit (fig_a), handle for adjusting the backrest (fig_b), release handles (fig_c).**
- 21 When placing the lining on the hood, ensure you insert the rigid supports correctly. Insert the tube bearing the carry handle into the hood's front slot, ensuring the handle is centered correctly (fig_a). Pull the flap of fabric out from the opening on the hood (fig_b) and slide it under the handle (fig_c).
- 22 Finally, slip the second metal support into the hood's inner slot.

- 23 Fasten the hood to the appropriate supports and fasten the 6 buttons.

Padding cleaning instructions

- Brush the fabric parts to remove dust.
- When washing, closely follow the instructions stated on the label sewn into the cover.
- Do not use chlorine bleach.
- Do not iron.
- Do not dry clean.
- Do not remove stains with solvents and do not tumble dry.

Product cleaning

- This product requires a small amount of maintenance. Cleaning and maintenance must only be carried out by adults.
- Keep all moving parts clean and if necessary lubricate them with light oil.
- Clean the plastic parts periodically with a damp cloth. Do not use solvents or similar substances.
- Brush the fabric parts to remove dust.
- Do not clean the polystyrene shock absorbing device with solvents or other similar products.
- Protect the product from atmospheric agents: humidity, rain or snow. Extended exposure to sunshine can cause colour changes in many materials.
- Store the product in a dry environment.
- Remember to regularly ventilate the interior of the carrycot.

Culla Elite car kit

- Culla Elite can be installed in your vehicle by purchasing the Culla Elite Car Kit.
- Only the Culla Elite Car Kit should be used to fasten to Culla Elite to your vehicle securely.

The Original Accessory Peg-Pérego

Peg-Pérego accessories are designed as a useful, practical means of simplifying the lives of parents. Discover all your product's accessories on www.pegperego.com.

Serial numbers

- 24 Information about the production date of Culla Elite can be found under the base.
- Product name, production date and serial number. This information is required for any complaints.

Peg-Pérego S.p.A.

Peg-Pérego SpA adopts a quality management system certified by TÜV Italia Srl in accordance with the ISO 9001 standard. Peg-Pérego can make changes at any time to the models described in this publication for technical or commercial reasons.

Peg-Pérego after-sales service

If any parts of the item get lost or damaged, only use genuine Peg-Pérego spare parts. For any repairs, replacements, information on the products and sales of genuine spare parts and accessories, contact the Peg-Pérego Assistance Service and state the serial number of the product.

tel. 0039/039/60.88.213

e-mail assistenza@pegperego.com

website www.pegperego.com

All intellectual property rights on the contents of this manual are property of Peg-Pérego S.p.A. and are protected by the laws in force.

FR_Français

Merci d'avoir choisi un produit Peg-Pérego.



AVERTISSEMENTS !
IMPORTANT : lire les instructions suivantes attentivement avant utilisation et les conserver pour les besoins ultérieurs de référence. La sécurité de l'enfant pourrait être menacée si ces instructions ne sont pas suivies.

- **AVERTISSEMENT** : cet article convient pour un enfant qui ne sait pas s'asseoir seul.
- **AVERTISSEMENT** : Ce produit est adapté pour les enfants qui ne peuvent pas s'asseoir, se tourner et s'appuyer sur les mains et les genoux seuls. Poids maximal de l'enfant : 9 kg.
- **AVERTISSEMENT** : **ne poser que sur une surface plane, horizontale, ferme et sèche.**
- **AVERTISSEMENT** : Ne pas laisser d'autres enfants jouer sans surveillance à proximité de la nacelle.
- **AVERTISSEMENT** : **ne pas utiliser si l'un des éléments du Culla Elite est cassé, déchiré ou manquant.**
- N'utiliser que les pièces de rechange